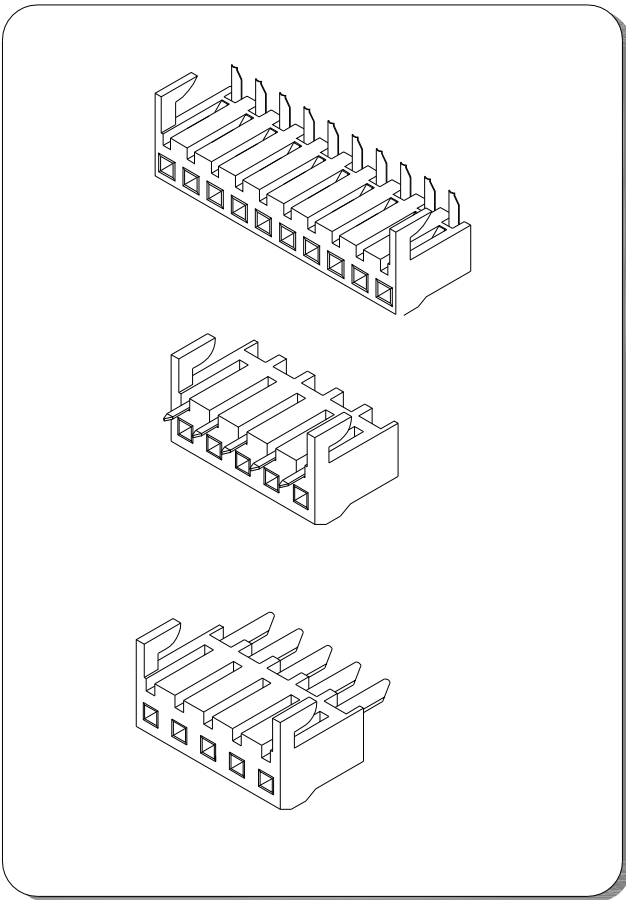


B3961 SERIES

3.96mm pitch board to board connector



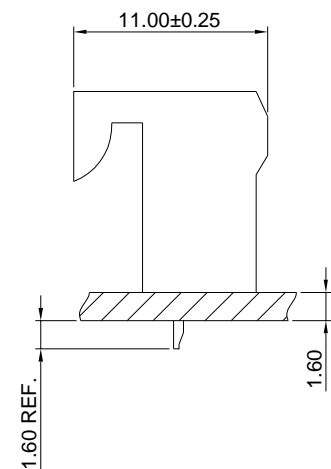
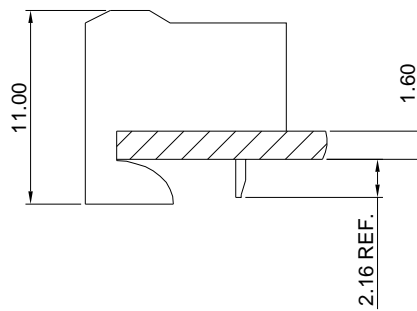
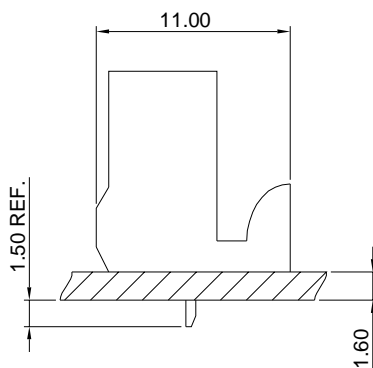
Specifications

- Current rating: 7A AC, DC
- Voltage rating: 250V AC, DC
- Temperature range: -40°C ~ +105°C
- Contact resistance: 10mΩ Max.
- Insulation resistance: 1000MΩ Min.
- Withstanding voltage: 1000V AC/minute
- *Compliant with RoHS and REACH*
- *Meet the HF/Halogen Free, GWT/Glow wire Test (IEC60335-1) request, need to customize*
- *Contact for details*

Standards



Assembly layout



B3961 SERIES

3.96mm pitch board to board connector

B3961AW

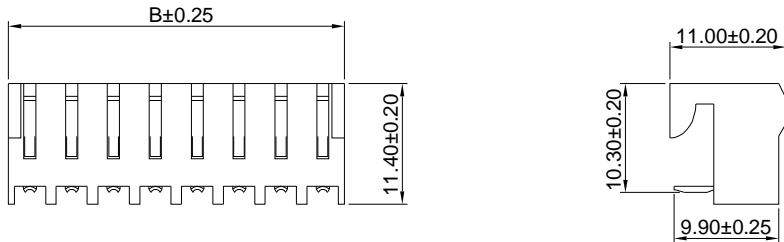
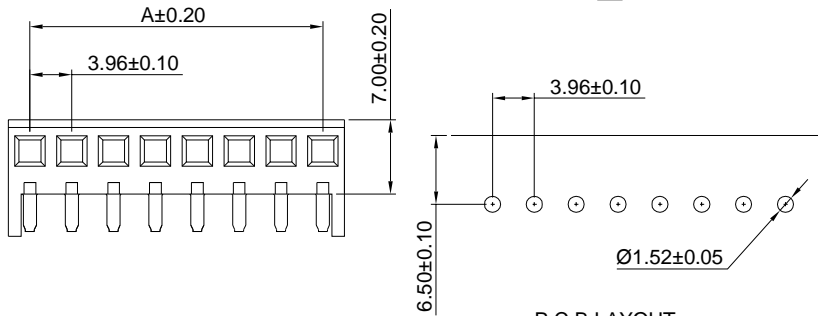
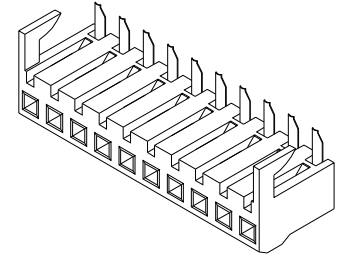
3.96mm Pitch Bottom Entry Housing

Reference Informations:

- *Material:Nylon 66,UL94V-2
- *Mates with A3961 series Wafer
- *Color:Natural(Transparent)

Ordering Information:

- B3961AW-XP - *
 1 2
 1.Part No.
 2.Material:
 (blank)-UL94V-2/Natural
 V0-UL94V-0/White



Ordering Information & Dimensions:

PART NO.	Dimensions	
	A	B
B3961AW-2P	3.96	8.06
B3961AW-3P	7.92	12.02
B3961AW-4P	11.88	15.98
B3961AW-5P	15.84	19.94
B3961AW-6P	19.80	23.90
B3961AW-7P	23.76	27.86
B3961AW-8P	27.72	31.82
B3961AW-9P	31.68	35.78
B3961AW-10P	35.64	39.74
B3961AW-11P	39.60	43.70
B3961AW-12P	43.56	47.66
B3961AW-13P	47.52	51.62
B3961AW-14P	51.48	55.58
B3961AW-15P	55.44	59.54
B3961AW-16P	59.40	63.50

Unit: mm

B3961BW

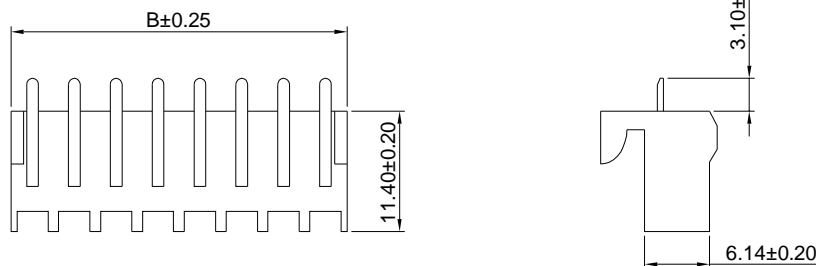
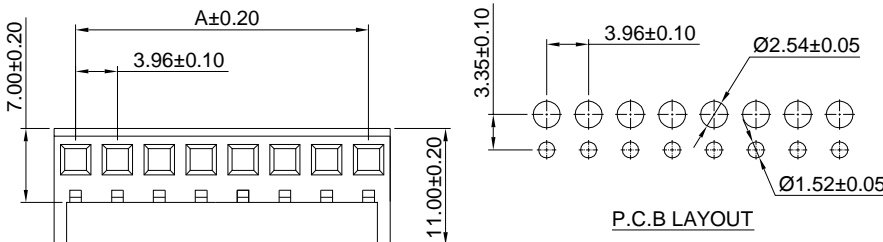
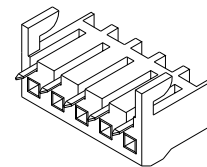
3.96mm Pitch Bottom Entry Housing

Reference Informations:

- *Material:Nylon 66,UL94V-2
- *Mates with A3961 series Wafer
- *Color:Natural(Transparent)

Ordering Information:

- B3961BW-XP - *
 1 2
 1.Part No.
 2.Material:
 (blank)-UL94V-2/Natural
 V0-UL94V-0/White



Ordering Information & Dimensions:

PART NO.	Dimensions	
	A	B
B3961BW-2P	3.96	8.06
B3961BW-3P	7.92	12.02
B3961BW-4P	11.88	15.98
B3961BW-5P	15.84	19.94
B3961BW-6P	19.80	23.90
B3961BW-7P	23.76	27.86
B3961BW-8P	27.72	31.82
B3961BW-9P	31.68	35.78
B3961BW-10P	35.64	39.74
B3961BW-11P	39.60	43.70
B3961BW-12P	43.56	47.66
B3961BW-13P	47.52	51.62
B3961BW-14P	51.48	55.58
B3961BW-15P	55.44	59.54
B3961BW-16P	59.40	63.50

Unit: mm

B3961 SERIES

3.96mm pitch board to board connector

B3961CW

3.96mm Pitch Bottom Entry Housing

Reference Informations:

- *Material: Nylon 66, UL94V-2
- *Mates with A3961 series Wafer
- *Color: Natural(Transparent)

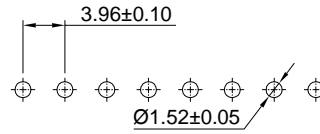
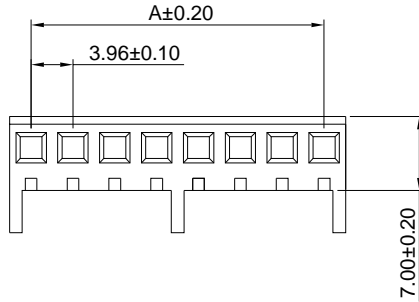
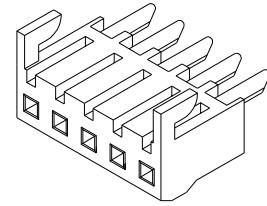
Ordering Information:

B3961CW-XP - *
1 2

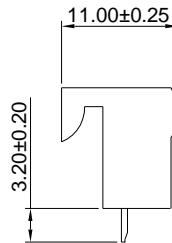
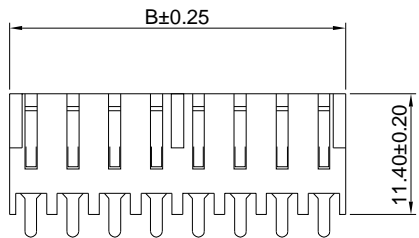
1.Part No.

2.Material:

(blank)-UL94V-2/Natural
V0-UL94V-0/White



P.C.B LAYOUT



Ordering Information & Dimensions:

PART NO.	Dimensions	
	A	B
B3961CW-2P	3.96	8.06
B3961CW-3P	7.92	12.02
B3961CW-4P	11.88	15.98
B3961CW-5P	15.84	19.94
B3961CW-6P	19.80	23.90
B3961CW-7P	23.76	27.86
B3961CW-8P	27.72	31.82
B3961CW-9P	31.68	35.78
B3961CW-10P	35.64	39.74
B3961CW-11P	39.60	43.70
B3961CW-12P	43.56	47.66
B3961CW-13P	47.52	51.62
B3961CW-14P	51.48	55.58
B3961CW-15P	55.44	59.54
B3961CW-16P	59.40	63.50

Unit: mm