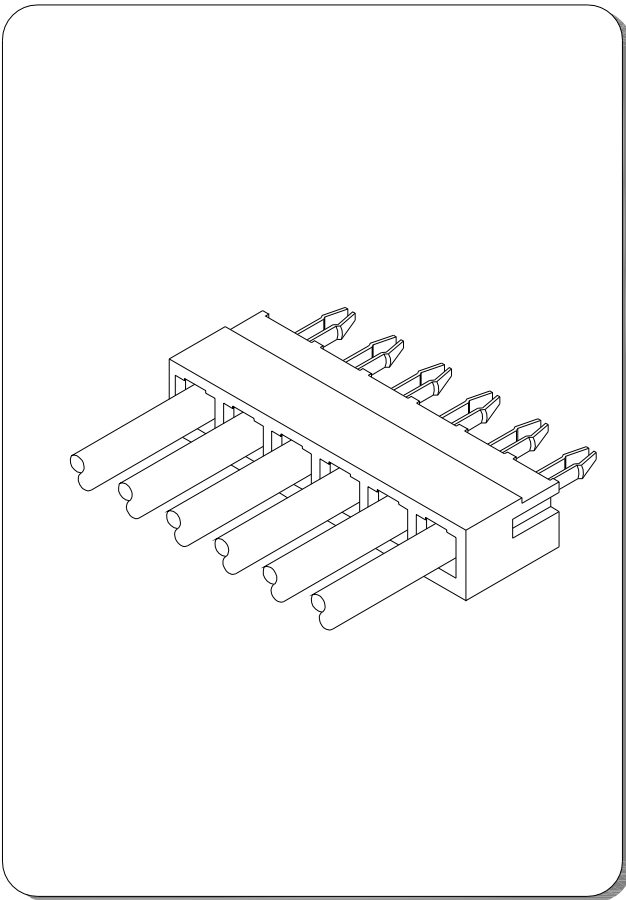


B3951 SERIES

3.96mm pitch board-in connector



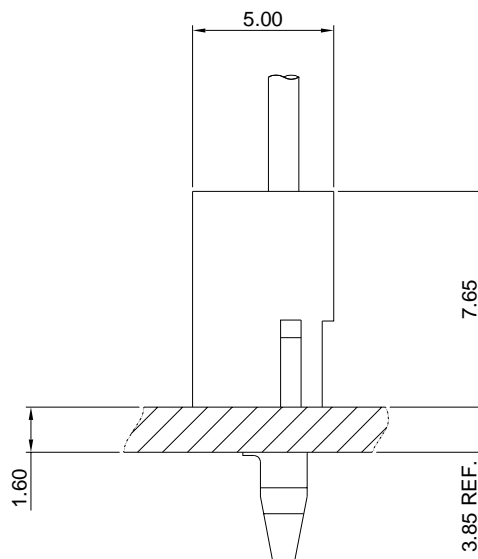
Specifications

Current rating:7A AC,DC
Voltage rating:300V AC,DC
Temperature range:-40°C~+105°C
Contact resistance:20mΩMax.
Insulation resistance:1000MΩMin.
Withstanding voltage:1500V AC/minute
Meet the HF/Halogen Free,GWT/Glow wire Test (IEC60335-1) request,need to customize
Contact for details

Standards



Assembly layout



B3951 SERIES

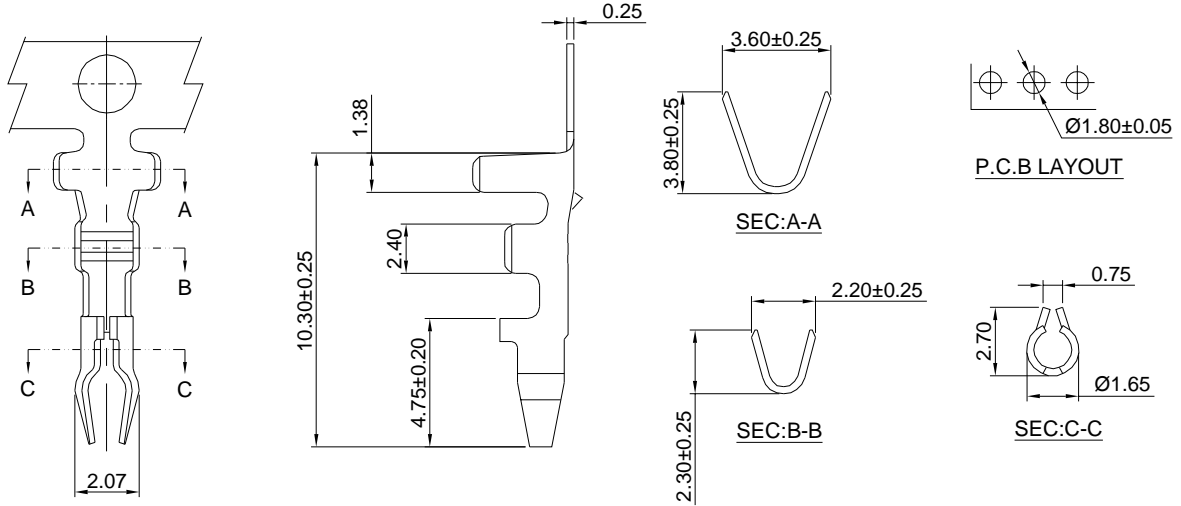
3.96mm pitch board-in connector

B3951-T

3.96mm pitch Crimp Terminal

Reference Informations:

*Used in B3951 series Housing



Ordering information & Specifications:

Unit:mm

Part NO.	Wire Range	Insulation O.D.	Material	Finish	Qty/reel
B3951-TB	AWG#18-#22	3.00mm(max)	Brass	Tin over Nickel	6,000 PCS
B3951-TP	AWG#18-#22	3.00mm(max)	Phosphor Bronze	Tin over Nickel	6,000 PCS
B3951-GB	AWG#18-#22	3.00mm(max)	Brass	Gold over Nickel	6,000 PCS
B3951-GP	AWG#18-#22	3.00mm(max)	Phosphor Bronze	Gold over Nickel	6,000 PCS

Optional Gold plating available but MOQ requested

B3951H

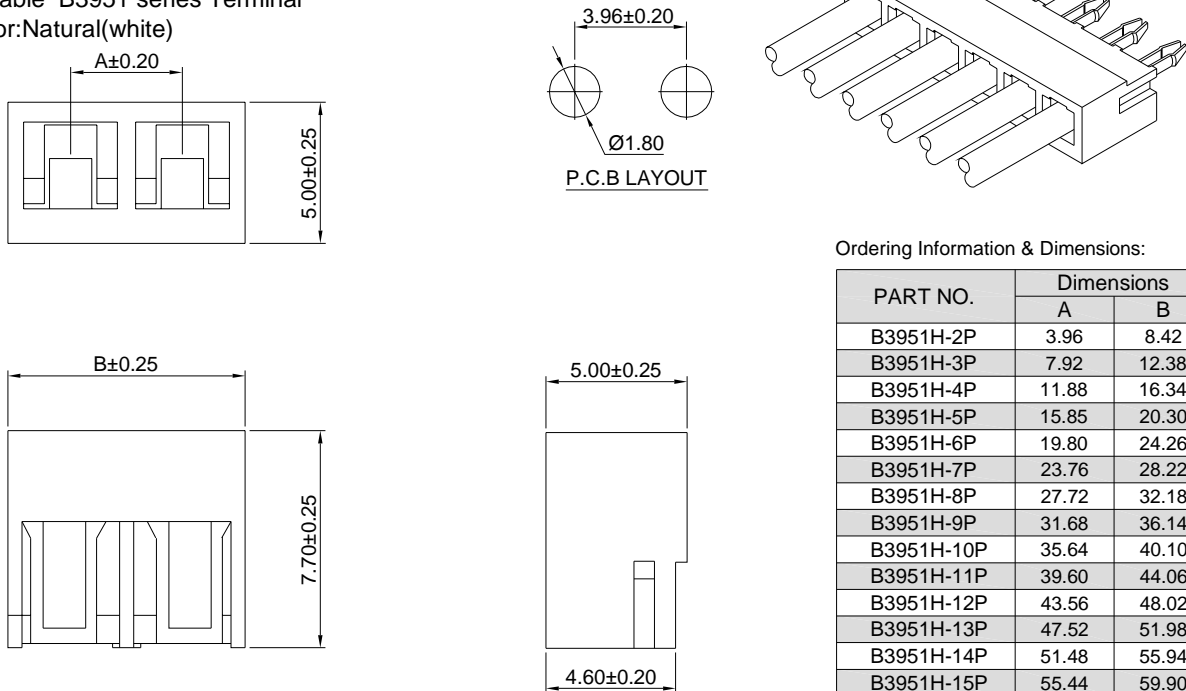
3.96mm pitch Housing

Reference Informations:

*Material:Nylon 66,UL94V-0

*Suitable B3951 series Terminal

*Color:Natural(white)



Ordering Information & Dimensions:

PART NO.	Dimensions	
	A	B
B3951H-2P	3.96	8.42
B3951H-3P	7.92	12.38
B3951H-4P	11.88	16.34
B3951H-5P	15.85	20.30
B3951H-6P	19.80	24.26
B3951H-7P	23.76	28.22
B3951H-8P	27.72	32.18
B3951H-9P	31.68	36.14
B3951H-10P	35.64	40.10
B3951H-11P	39.60	44.06
B3951H-12P	43.56	48.02
B3951H-13P	47.52	51.98
B3951H-14P	51.48	55.94
B3951H-15P	55.44	59.90

Unit: mm