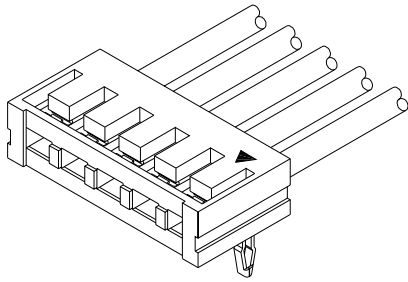


B2513 SERIES

2.50mm pitch board-in connector



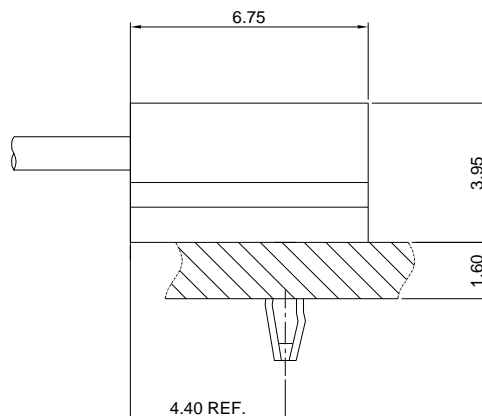
Specifications

Current rating:3A AC,DC
Voltage rating:125V AC,DC
Temperature range:-40°C~+105°C
Contact resistance:5mΩMax.
Insulation resistance:1000MΩMin.
Withstanding voltage:1000V AC/minute
Compliant with RoHS and REACH
Meet the HF/Halogen Free,need to customize
Contact for details

Standards



Assembly layout



B2513 SERIES

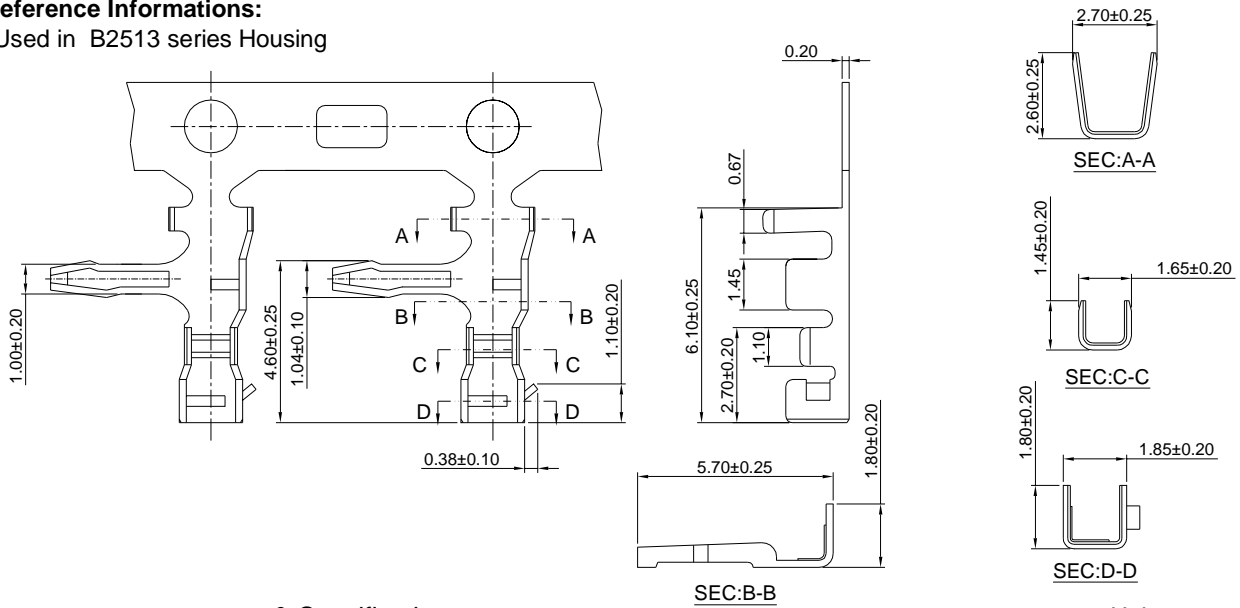
2.50mm pitch board-in connector

B2513-T

2.50mm pitch Crimp Terminal

Reference Informations:

*Used in B2513 series Housing



Ordering information & Specifications:

| Part NO. | Wire Range | Insulation O.D. | Material | Finish | Qty/reel |
|----------|------------|-----------------|-----------------|------------------|------------|
| B2513-TB | AWG#22-#28 | 1.70mm(max) | Brass | Tin over Nickel | 10,000 PCS |
| B2513-TP | AWG#22-#28 | 1.70mm(max) | Phosphor Bronze | Tin over Nickel | 10,000 PCS |
| B2513-GB | AWG#22-#28 | 1.70mm(max) | Brass | Gold over Nickel | 10,000 PCS |
| B2513-GP | AWG#22-#28 | 1.70mm(max) | Phosphor Bronze | Gold over Nickel | 10,000 PCS |

Unit:mm

Optional Gold plating available but MOQ requested

B2513H

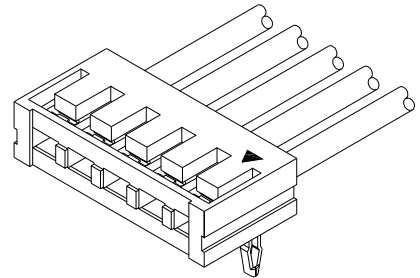
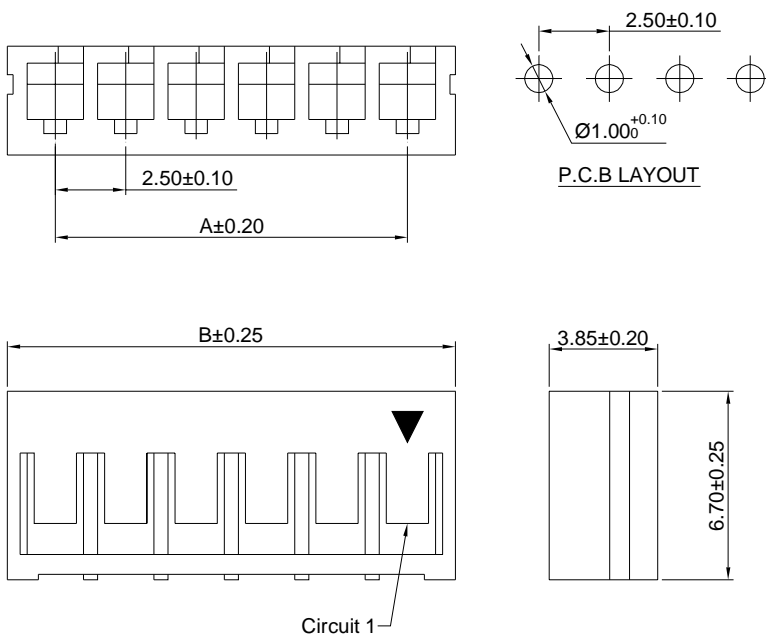
2.50mm pitch Housing

Reference Informations:

*Material:Nylon 66,UL94V-0

*Suitable B2513 series Terminal

*Color:Natural(white)



Ordering Information & Dimensions:

| PART NO. | Dimensions | |
|------------|------------|-------|
| | A | B |
| B2513H-2P | 2.50 | 6.65 |
| B2513H-3P | 5.00 | 9.15 |
| B2513H-4P | 7.50 | 11.65 |
| B2513H-5P | 10.00 | 14.15 |
| B2513H-6P | 12.50 | 16.65 |
| B2513H-7P | 15.00 | 19.15 |
| B2513H-8P | 17.50 | 21.65 |
| B2513H-9P | 20.00 | 24.15 |
| B2513H-10P | 22.50 | 26.65 |
| B2513H-11P | 25.00 | 29.15 |
| B2513H-12P | 27.50 | 31.65 |
| B2513H-13P | 30.00 | 34.15 |
| B2513H-14P | 32.50 | 36.65 |
| B2513H-15P | 35.00 | 39.15 |
| B2513H-16P | 37.50 | 41.65 |

Unit: mm