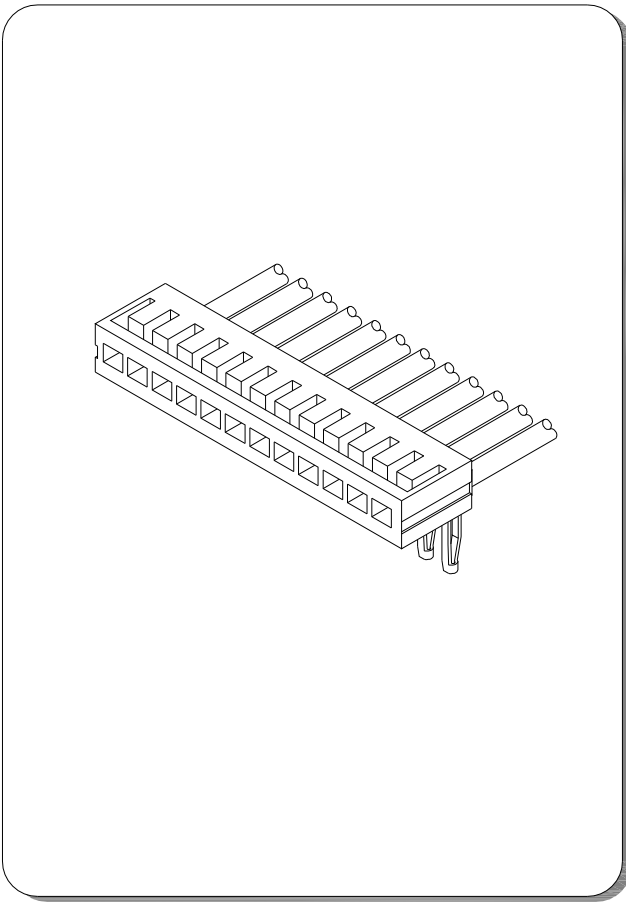


B2012 SERIES

2.00mm pitch board-in connector



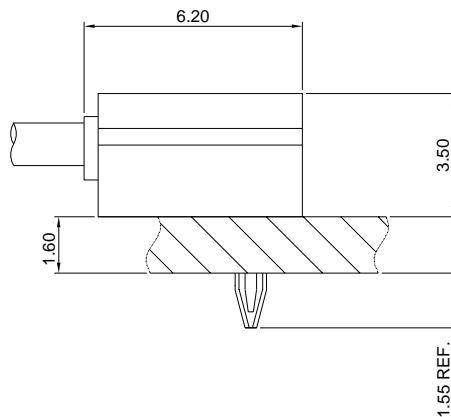
Specifications

Current rating: 2A AC, DC
Voltage rating: 250V AC, DC
Temperature range: -40°C ~ +105°C
Contact resistance: 20mΩ Max.
Insulation resistance: 1000MΩ Min.
Withstanding voltage: 800V AC/minute
Contact for details

Standards



Assembly layout



B2012 SERIES

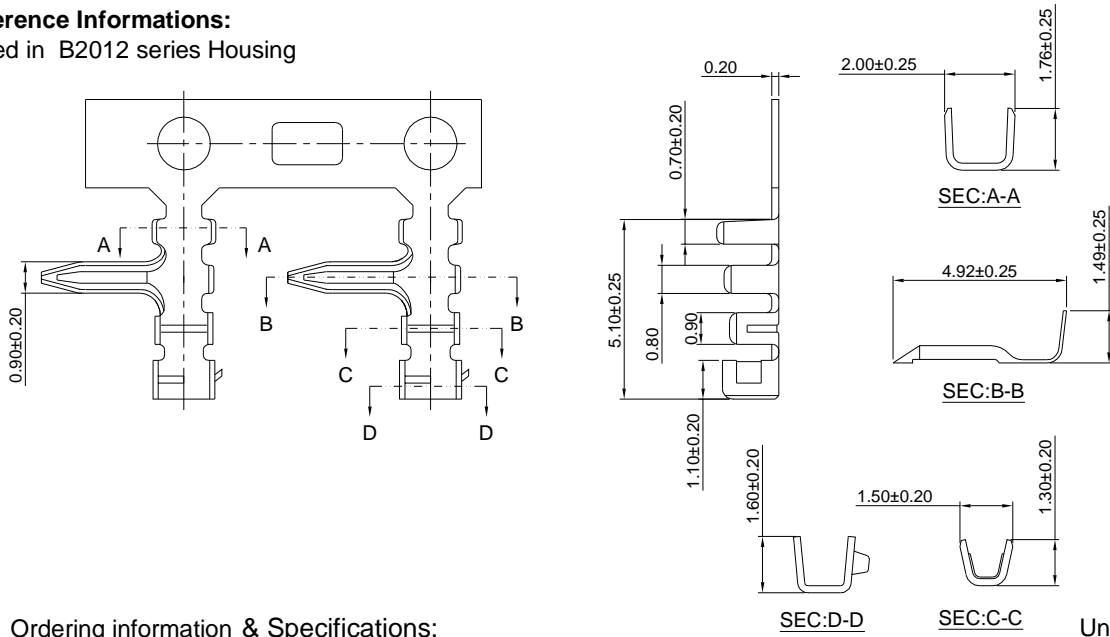
2.00mm pitch board-in connector

B2012-T

2.00mm pitch Crimp Terminal

Reference Informations:

*Used in B2012 series Housing



Ordering information & Specifications:

| Part NO. | Wire Range | Insulation O.D. | Material | Finish | Qty/reel |
|----------|------------|-----------------|-----------------|------------------|------------|
| B2012-TB | AWG#24-#30 | 1.30mm(max) | Brass | Tin over Nickel | 10,000 PCS |
| B2012-TP | AWG#24-#30 | 1.30mm(max) | Phosphor Bronze | Tin over Nickel | 10,000 PCS |
| B2012-GB | AWG#24-#30 | 1.30mm(max) | Brass | Gold over Nickel | 10,000 PCS |
| B2012-GP | AWG#24-#30 | 1.30mm(max) | Phosphor Bronze | Gold over Nickel | 10,000 PCS |

Optional Gold plating available but MOQ requested

B2012H

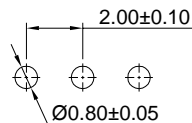
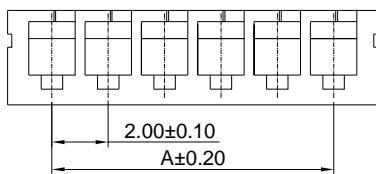
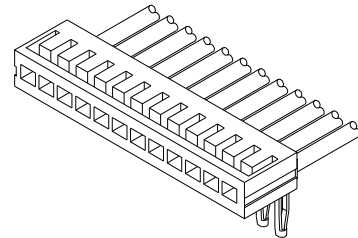
2.00mm pitch Housing

Reference Informations:

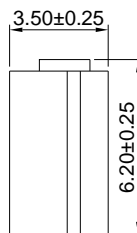
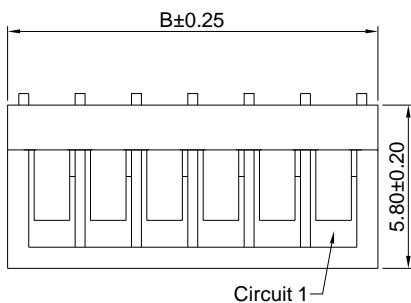
*Material:Nylon 66,UL94V-0

*Suitable B2012 series Terminal

*Color:Natural(white)



P.C.B LAYOUT



Ordering Information & Dimensions:

| PART NO. | Dimensions | |
|------------|------------|-------|
| | A | B |
| B2012H-2P | 2.00 | 5.20 |
| B2012H-3P | 4.00 | 7.20 |
| B2012H-4P | 6.00 | 9.20 |
| B2012H-5P | 8.00 | 11.20 |
| B2012H-6P | 10.00 | 13.20 |
| B2012H-7P | 12.00 | 15.20 |
| B2012H-8P | 14.00 | 17.20 |
| B2012H-9P | 16.00 | 19.20 |
| B2012H-10P | 18.00 | 21.20 |
| B2012H-11P | 20.00 | 23.20 |
| B2012H-12P | 22.00 | 25.20 |
| B2012H-13P | 24.00 | 27.20 |
| B2012H-14P | 26.00 | 29.20 |
| B2012H-15P | 28.00 | 31.20 |
| B2012H-16P | 30.00 | 33.20 |

Unit: mm