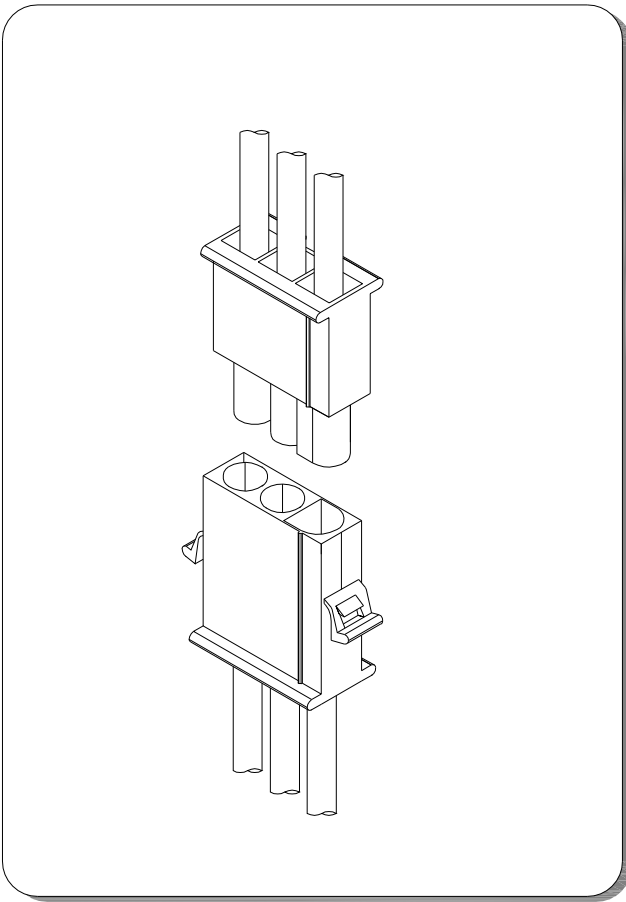


C8381 SERIES

8.38mm pitch wire to wire connector



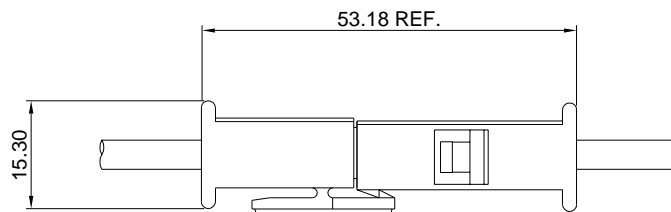
Specifications

- Current rating:1A AC,DC
- Voltage rating:600V AC,DC
- Temperature range:-40°C~+105°C
- Contact resistance:10mΩ Max.
- Insulation resistance:1000MΩ Min.
- Withstanding voltage:1800V AC/minute
- *Compliant with RoHS and REACH*
- *Meet the HF/Halogen Free,GWT/Glow wire Test (IEC60335-1) request,need to customize*
- *Contact for details*

Standards



Assembly layout



C8381 SERIES

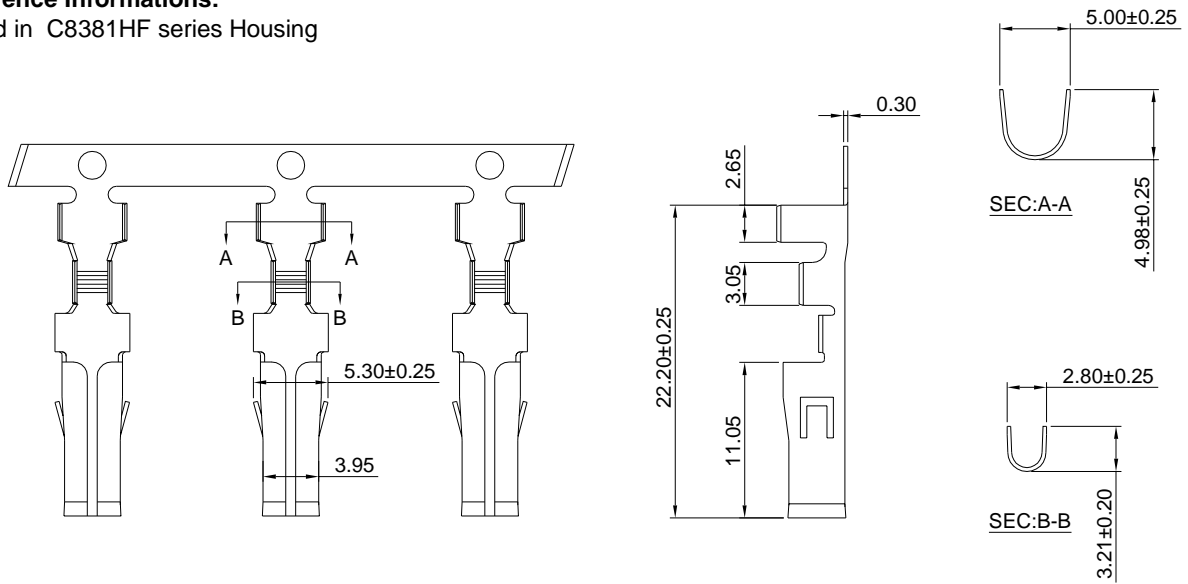
8.38mm pitch wire to wire connector

C8381F-T

8.38mm pitch Crimp Terminal

Reference Informations:

*Used in C8381HF series Housing



Ordering information & Specifications:

Unit:mm

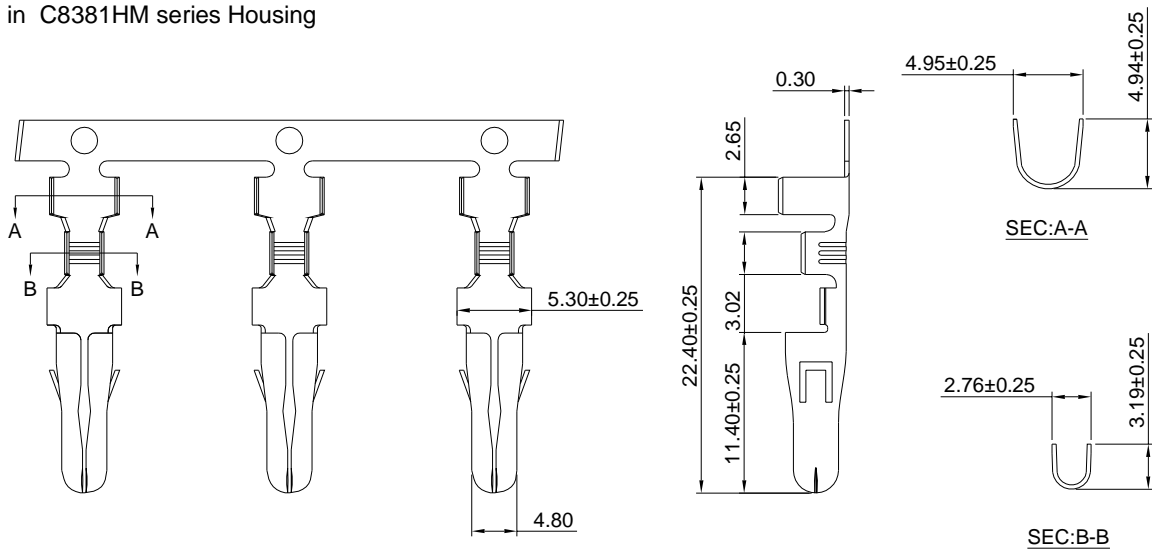
| Part NO | Wire Range | Insulation O.D. | Material | Finish | Qty/reel |
|-----------|------------|-----------------|----------|-----------------|-----------|
| C8381F-TB | AWG#16-#18 | 3.10mm(max) | Brass | Tin over Nickel | 3,000 PCS |

C8381M-T

8.38mm pitch Crimp Terminal

Reference Informations:

*Used in C8381HM series Housing



Ordering information & Specifications:

Unit:mm

| Part NO | Wire Range | Insulation O.D. | Material | Finish | Qty/reel |
|-----------|------------|-----------------|----------|-----------------|-----------|
| C8381M-TB | AWG#16-#18 | 3.10mm(max) | Brass | Tin over Nickel | 3,000 PCS |

C8381 SERIES

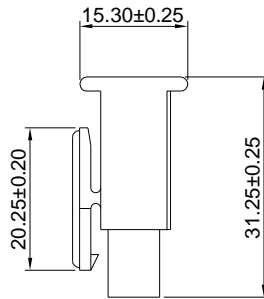
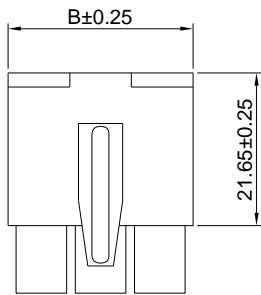
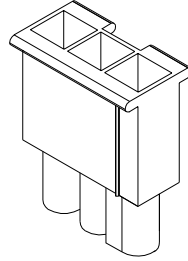
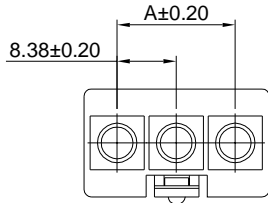
8.38mm pitch wire to wire connector

C8381HF

8.38mm pitch Housing

Reference Informations:

- *Material:Nylon 66,UL94V-2
- *Suitable C8381F series Terminal
- *Mates with C8381HM series Housing
- *Color:Natural



Ordering Information & Dimensions:

| PART NO. | Dimensions | | |
|------------|------------|-------|-------|
| | A | B | C |
| C8381HF-1P | 17.67 | ---- | 13.23 |
| C8381HF-2P | 26.05 | 8.38 | 21.62 |
| C8381HF-3P | 34.43 | 16.76 | 30.00 |
| C8381HF-4P | 42.81 | 25.14 | 38.38 |

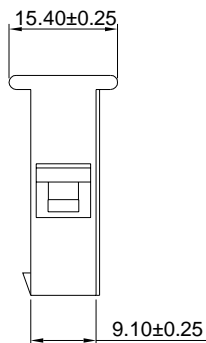
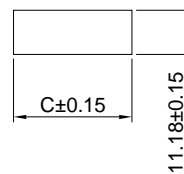
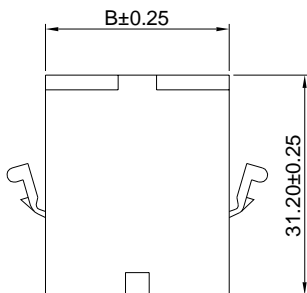
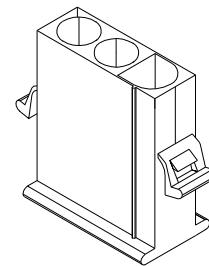
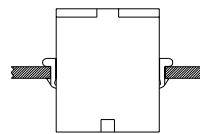
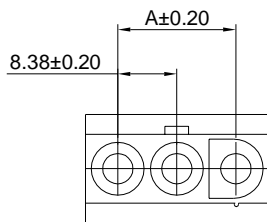
Unit: mm

C8381HM

8.38mm pitch Housing

Reference Informations:

- *Material:Nylon 66,UL94V-2
- *Suitable C8381M series Terminal
- *Mates with C8381HF series Housing
- *Color:Natural



Ordering Information & Dimensions:

| PART NO. | Dimensions | | |
|------------|------------|-------|-------|
| | A | B | C |
| C8381HM-1P | 17.67 | ---- | 13.23 |
| C8381HM-2P | 26.05 | 8.38 | 21.62 |
| C8381HM-3P | 34.43 | 16.76 | 30.00 |
| C8381HM-4P | 42.81 | 25.14 | 38.38 |

Unit: mm