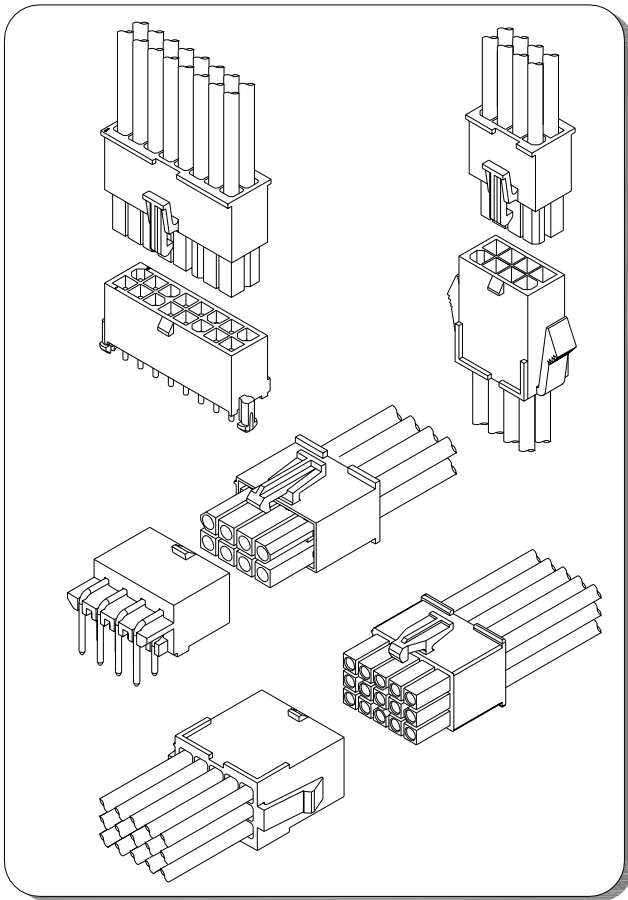


# C4140 SERIES

4.14mm pitch wire to wire and wire to board connector



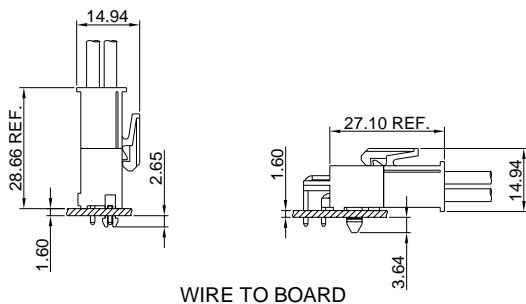
## Specifications

- Current rating:9A AC,DC max
- Voltage rating:600V AC,DC
- Temperature range:-40°C~+105°C
- Contact resistance:20mΩ Max.
- Insulation resistance:1000MΩ Min.
- Withstanding voltage:1500V AC/minute
- \*Compliant with RoHS and REACH\*
- \*Meet the HF/Halogen Free,GWT/Glow wire Test (IEC60335-1) request,need to customize\*
- \*Contact for details\*

## Standards



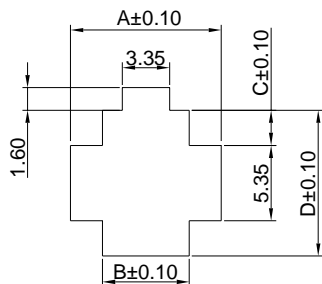
## Assembly layout



WIRE TO BOARD

WIRE TO WIRE

## Panel hole layout



PART NO.	Dimensions			
	A	B	C	D
C4140HM-2P	10.70	6.15	2.50	10.35
C4140HM-3P	10.70	6.15	4.60	14.55
C4140HM-2x2P	14.90	10.35	2.50	10.35
C4140HM-2x3P	19.10	14.55	2.50	10.35
C4140HM-2x4P	23.30	18.75	2.50	10.35
C4140HM-2x5P	27.50	22.95	2.50	10.35
C4140HM-2x6P	31.70	27.15	2.50	10.35
C4140HM-2x7P	35.90	31.35	2.50	10.35

PART NO.	Dimensions			
	A	B	C	D
C4140HM-2x8P	40.10	35.55	2.50	10.35
C4140HM-2x9P	44.30	39.75	2.50	10.35
C4140HM-2x10P	48.50	43.95	2.50	10.35
C4140HM-2x11P	52.70	48.15	2.50	10.35
C4140HM-2x12P	56.90	52.35	2.50	10.35
C4140HM-3x3P	19.10	14.55	4.60	14.55
C4140HM-3x4P	23.30	18.75	4.60	14.55
C4140HM-3x5P	27.50	22.95	4.60	14.55

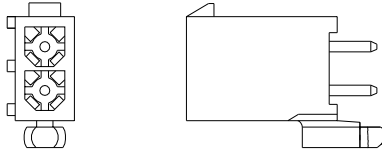
Unit:mm

# C4140 SERIES

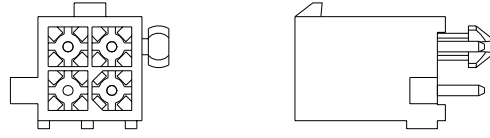
4.14mm pitch wire to wire and wire to board connector

## 180° Wafer

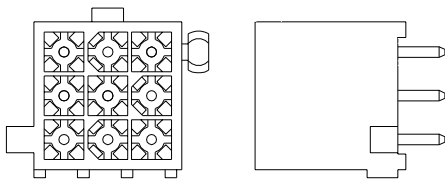
2P and 3P Circuit , Single Row



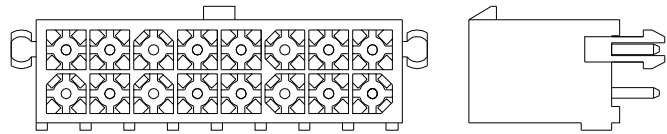
2x2P,2x3P,2x4P,2x5P and 2x6P Circuit , Dual Row



3x3P,3x4P and 3x5P Circuit , Triple Row

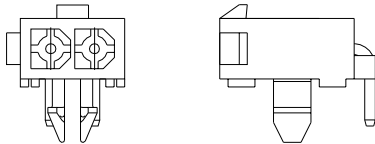


2x7P,2x8P,2x9P,2x10P,2x11P and 2x12P Circuit , Dual Row

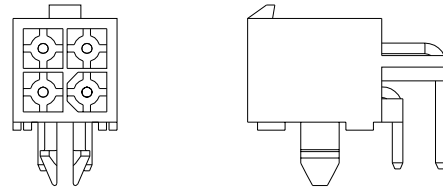


## 90° Wafer

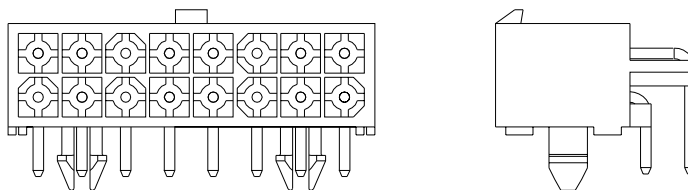
2P and 3P Circuit , Single Row



2x2P,2x3P,2x4P,2x5P and 2x6P Circuit , Dual Row



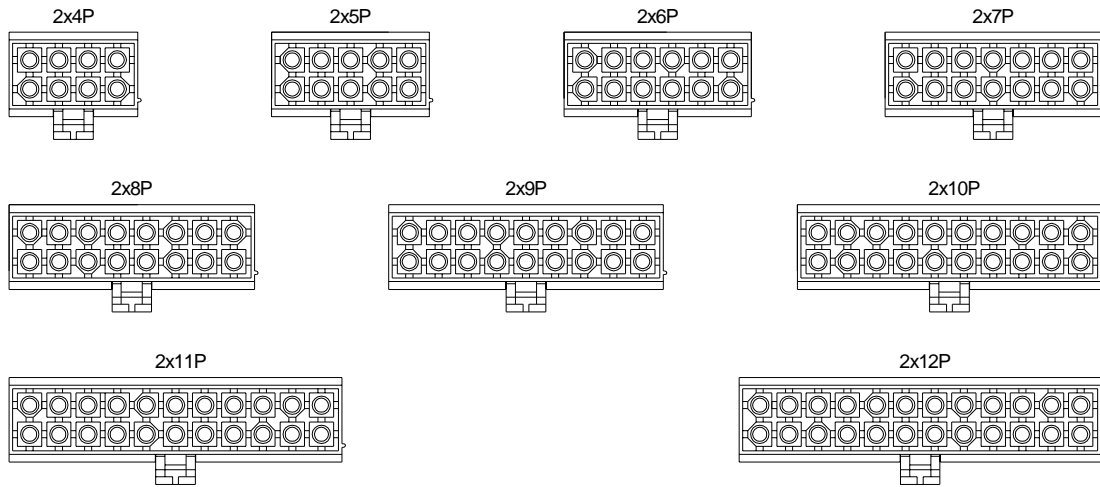
2x7P,2x8P,2x9P,2x10P,2x11P and 2x12P Circuit , Dual Row



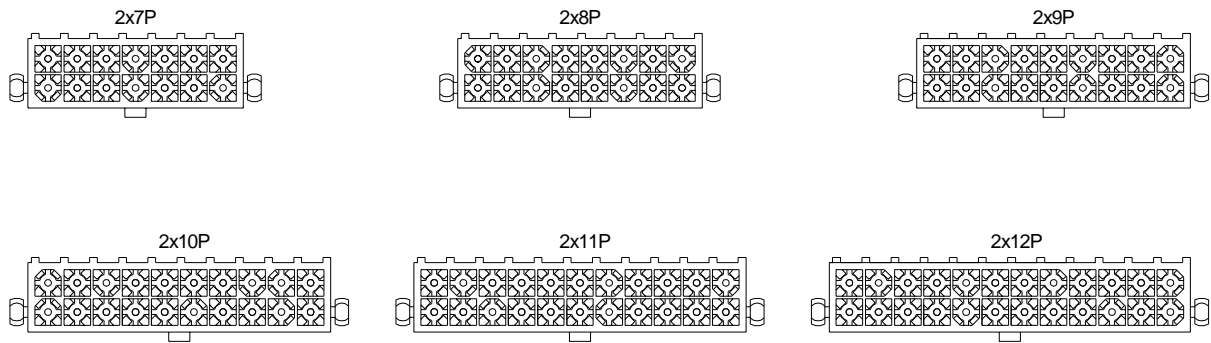
# C4140 SERIES

4.14mm pitch wire to wire and wire to board connector

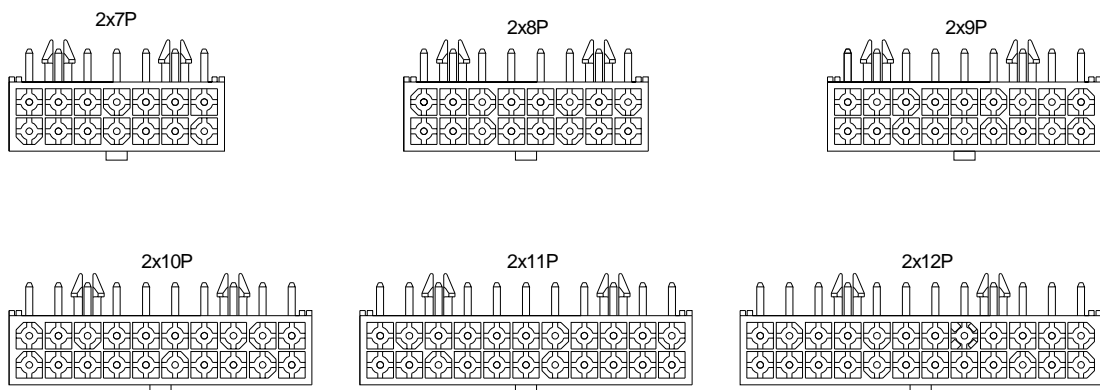
## C4140HF-2



## C4140WV-2



## C4140WR-2



# C4140 SERIES

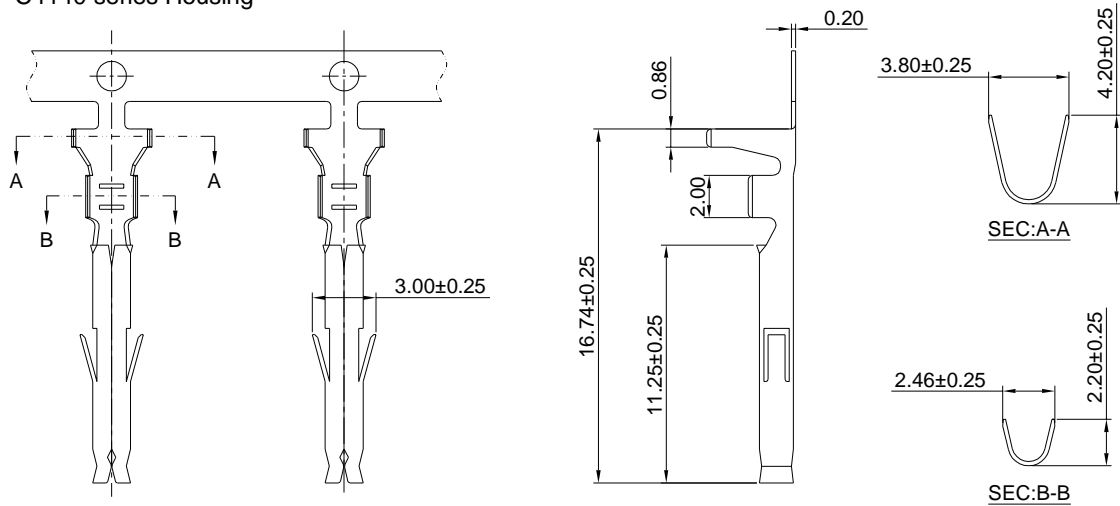
4.14mm pitch wire to wire and wire to board connector

## C4140F-T

4.14mm pitch Crimp Terminal

### Reference Informations:

\*Used in C4140 series Housing



### Ordering information & Specifications:

Unit:mm

Part NO.	Wire Range	Insulation O.D.	Material	Finish	Qty/reel
C4140F-TB	AWG#18-#22	2.40mm(max)	Brass	Tin over Nickel	4,000 PCS
C4140F-TP	AWG#18-#22	2.40mm(max)	Phosphor Bronze	Tin over Nickel	4,000 PCS
C4140F-GB	AWG#18-#22	2.40mm(max)	Brass	Gold over Nickel	4,000 PCS
C4140F-GP	AWG#18-#22	2.40mm(max)	Phosphor Bronze	Gold over Nickel	4,000 PCS

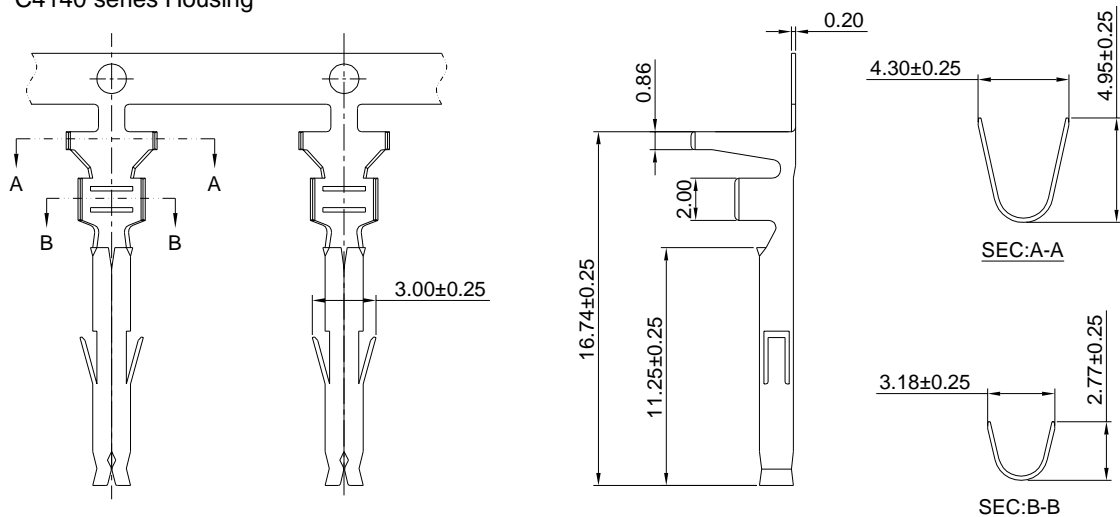
Optional Gold plating available but MOQ requested

## C4140F-T-H

4.14mm pitch Crimp Terminal

### Reference Informations:

\*Used in C4140 series Housing



### Ordering information & Specifications:

Unit:mm

Part NO.	Wire Range	Insulation O.D.	Material	Finish	Qty/reel
C4140F-TB-H	AWG#16-#20	3.20mm(max)	Brass	Tin over Nickel	4,000 PCS
C4140F-TP-H	AWG#16-#20	3.20mm(max)	Phosphor Bronze	Tin over Nickel	4,000 PCS
C4140F-GB-H	AWG#16-#20	3.20mm(max)	Brass	Gold over Nickel	4,000 PCS
C4140F-GP-H	AWG#16-#20	3.20mm(max)	Phosphor Bronze	Gold over Nickel	4,000 PCS

Optional Gold plating available but MOQ requested

# C4140 SERIES

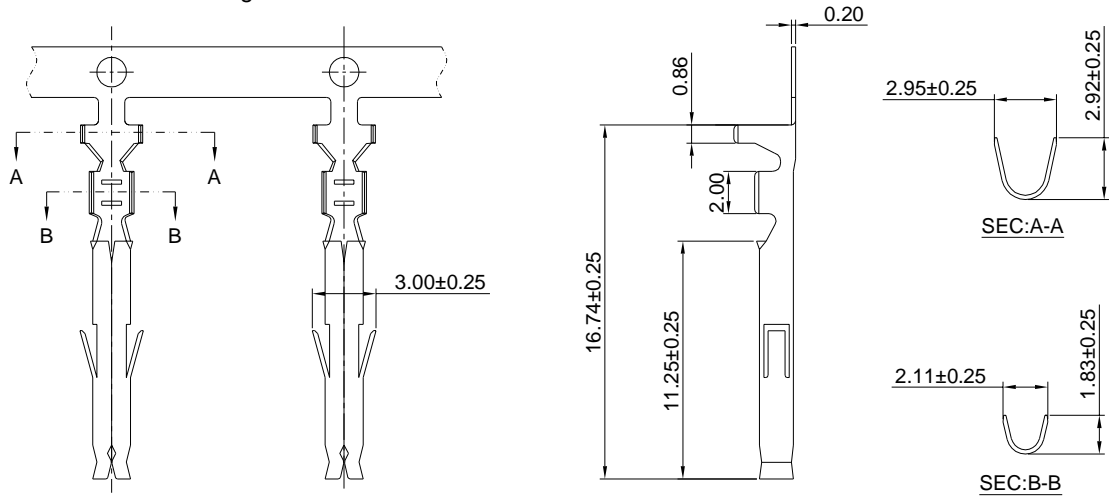
4.14mm pitch wire to wire and wire to board connector

## C4140F-T-L

4.14mm pitch Crimp Terminal

### Reference Informations:

\*Used in C4140 series Housing



### Ordering information & Specifications:

Unit:mm

Part NO.	Wire Range	Insulation O.D.	Material	Finish	Qty/reel
C4140F-TB-L	AWG#22-#26	1.75mm(max)	Brass	Tin over Nickel	4,000 PCS
C4140F-TP-L	AWG#22-#26	1.75mm(max)	Phosphor Bronze	Tin over Nickel	4,000 PCS
C4140F-GB-L	AWG#22-#26	1.75mm(max)	Brass	Gold over Nickel	4,000 PCS
C4140F-GP-L	AWG#22-#26	1.75mm(max)	Phosphor Bronze	Gold over Nickel	4,000 PCS

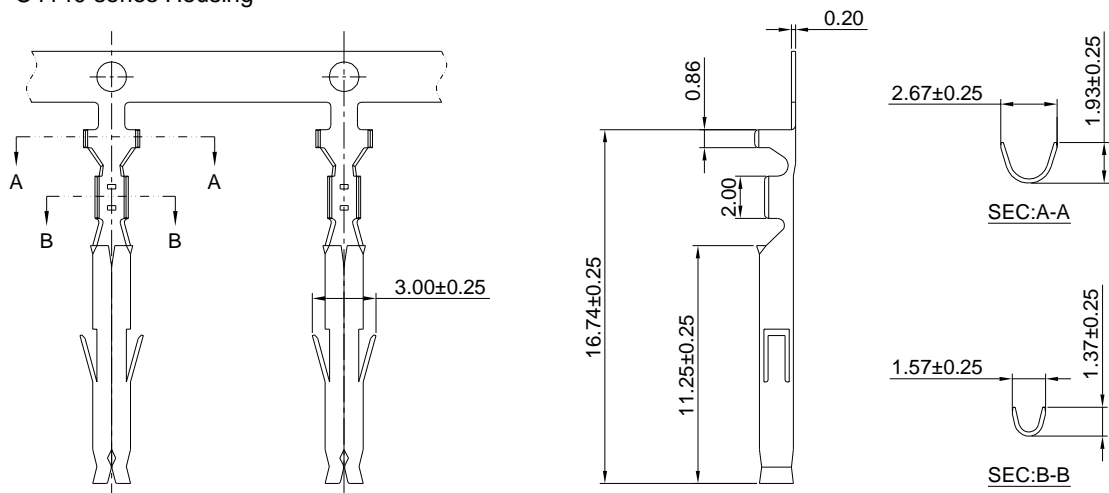
Optional Gold plating available but MOQ requested

## C4140F-T-LL

4.14mm pitch Crimp Terminal

### Reference Informations:

\*Used in C4140 series Housing



### Ordering information & Specifications:

Unit:mm

Part NO.	Wire Range	Insulation O.D.	Material	Finish	Qty/reel
C4140F-TB-LL	AWG#26-#30	1.00mm(max)	Brass	Tin over Nickel	4,000 PCS
C4140F-TP-LL	AWG#26-#30	1.00mm(max)	Phosphor Bronze	Tin over Nickel	4,000 PCS
C4140F-GB-LL	AWG#26-#30	1.00mm(max)	Brass	Gold over Nickel	4,000 PCS
C4140F-GP-LL	AWG#26-#30	1.00mm(max)	Phosphor Bronze	Gold over Nickel	4,000 PCS

Optional Gold plating available but MOQ requested

# C4140 SERIES

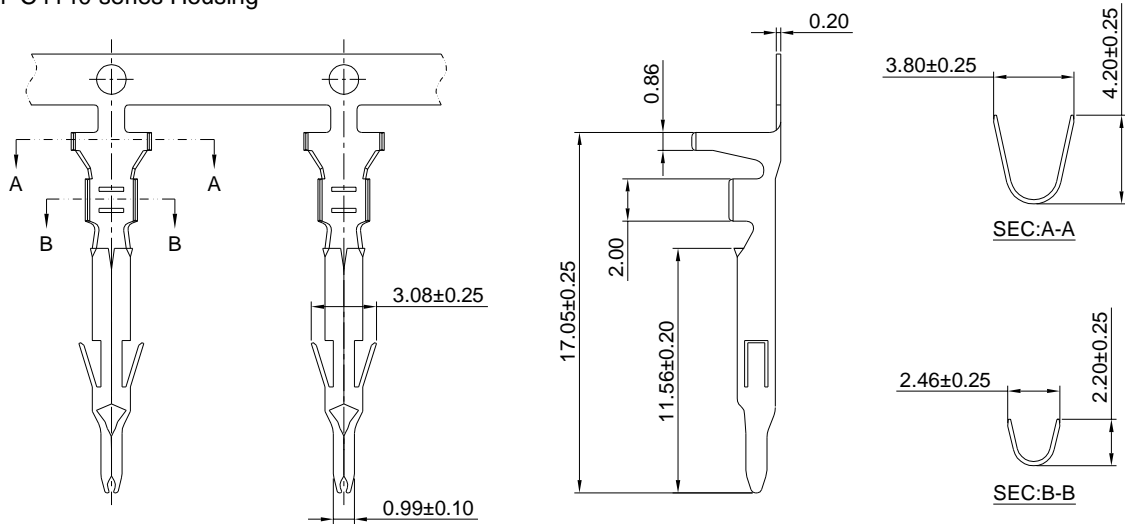
4.14mm pitch wire to wire and wire to board connector

## C4140M-T

4.14mm pitch Crimp Terminal

### Reference Informations:

\*Used in C4140 series Housing



### Ordering information & Specifications:

Unit:mm

Part NO.	Wire Range	Insulation O.D.	Material	Finish	Qty/reel
C4140M-TB	AWG#18-#22	2.40mm(max)	Brass	Tin over Nickel	4,000 PCS
C4140M-TP	AWG#18-#22	2.40mm(max)	Phosphor Bronze	Tin over Nickel	4,000 PCS
C4140M-GB	AWG#18-#22	2.40mm(max)	Brass	Gold over Nickel	4,000 PCS
C4140M-GP	AWG#18-#22	2.40mm(max)	Phosphor Bronze	Gold over Nickel	4,000 PCS

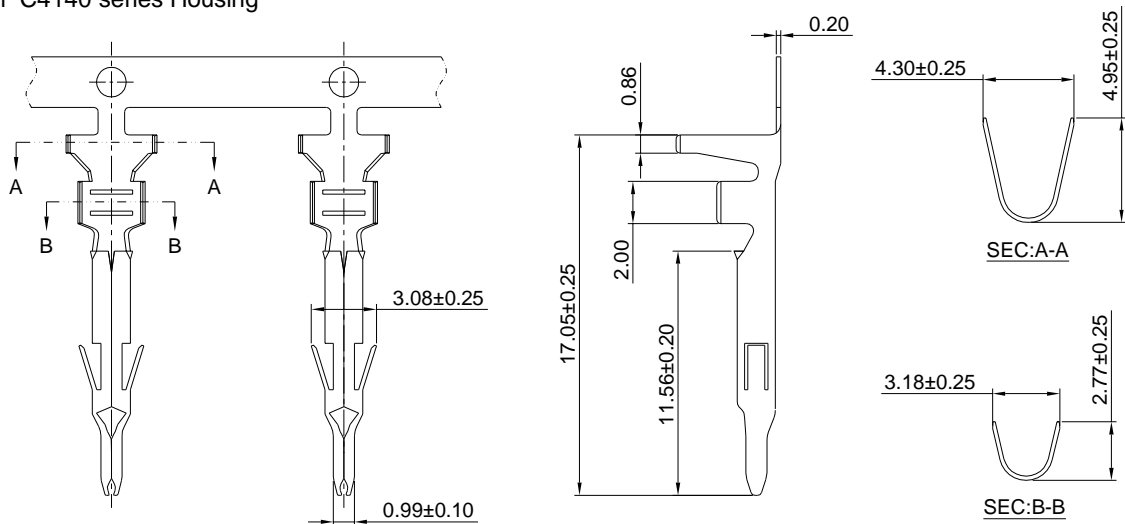
Optional Gold plating available but MOQ requested

## C4140M-T-H

4.14mm pitch Crimp Terminal

### Reference Informations:

\*Used in C4140 series Housing



### Ordering information & Specifications:

Unit:mm

Part NO.	Wire Range	Insulation O.D.	Material	Finish	Qty/reel
C4140M-TB-H	AWG#16-#20	3.20mm(max)	Brass	Tin over Nickel	4,000 PCS
C4140M-TP-H	AWG#16-#20	3.20mm(max)	Phosphor Bronze	Tin over Nickel	4,000 PCS
C4140M-GB-H	AWG#16-#20	3.20mm(max)	Brass	Gold over Nickel	4,000 PCS
C4140M-GP-H	AWG#16-#20	3.20mm(max)	Phosphor Bronze	Gold over Nickel	4,000 PCS

Optional Gold plating available but MOQ requested

# C4140 SERIES

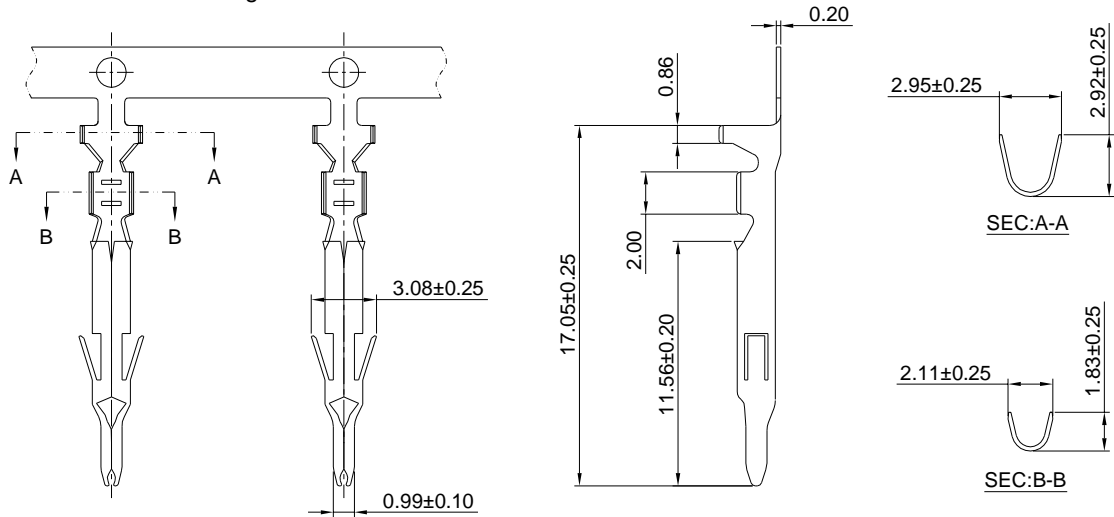
4.14mm pitch wire to wire and wire to board connector

## C4140M-T-L

4.14mm pitch Crimp Terminal

### Reference Informations:

\*Used in C4140 series Housing



### Ordering information & Specifications:

Unit:mm

Part NO.	Wire Range	Insulation O.D.	Material	Finish	Qty/reel
C4140M-TB-L	AWG#22-#26	1.75mm(max)	Brass	Tin over Nickel	4,000 PCS
C4140M-TP-L	AWG#22-#26	1.75mm(max)	Phosphor Bronze	Tin over Nickel	4,000 PCS
C4140M-GB-L	AWG#22-#26	1.75mm(max)	Brass	Gold over Nickel	4,000 PCS
C4140M-GP-L	AWG#22-#26	1.75mm(max)	Phosphor Bronze	Gold over Nickel	4,000 PCS

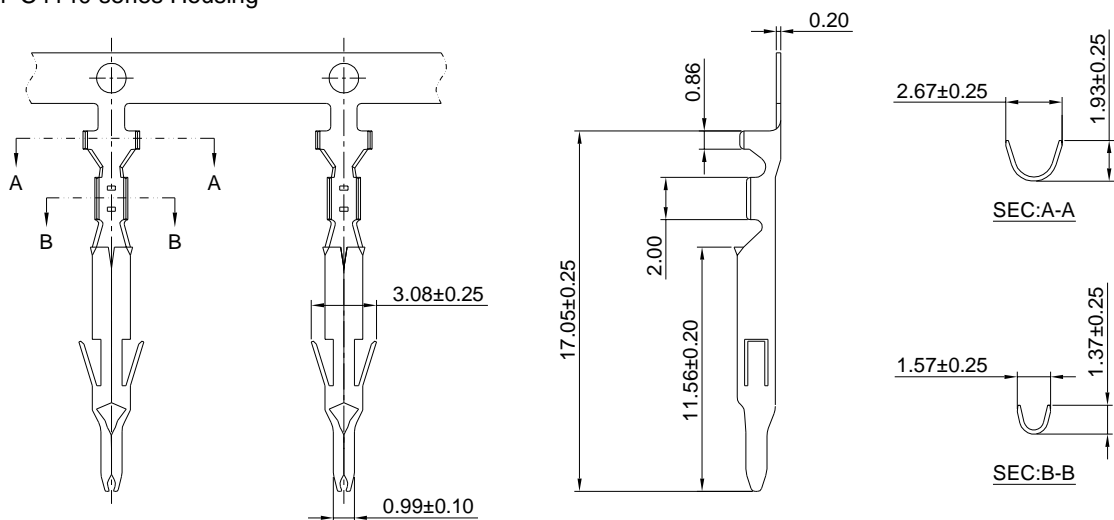
Optional Gold plating available but MOQ requested

## C4140M-T-LL

4.14mm pitch Crimp Terminal

### Reference Informations:

\*Used in C4140 series Housing



### Ordering information & Specifications:

Unit:mm

Part NO.	Wire Range	Insulation O.D.	Material	Finish	Qty/reel
C4140M-TB-LL	AWG#26-#30	1.00mm(max)	Brass	Tin over Nickel	4,000 PCS
C4140M-TP-LL	AWG#26-#30	1.00mm(max)	Phosphor Bronze	Tin over Nickel	4,000 PCS
C4140M-GB-LL	AWG#26-#30	1.00mm(max)	Brass	Gold over Nickel	4,000 PCS
C4140M-GP-LL	AWG#26-#30	1.00mm(max)	Phosphor Bronze	Gold over Nickel	4,000 PCS

Optional Gold plating available but MOQ requested

# C4140 SERIES

4.14mm pitch wire to wire and wire to board connector

## C4140H

4.14mm Pitch Housing

### Reference Informations:

- \*Material:Nylon 66,UL94V-2 or UL94V-0
- \*Suitable C4140F and C4140M series Terminal
- \*Color:Natural

### Ordering Information:

C4140HF-XP - \*\*  
 1 2  
 1.Part No.  
 2.Material:  
 (blank):UL94V-2/Natural  
 V0:UL94V-0/White

### Ordering Information:

C4140HM(A)-XP - \*\*  
 1 2  
 1.Part No.  
 2.Material:  
 (blank):UL94V-2/Natural  
 V0:UL94V-0/White

Unit: mm

C4140HM(A)	C4140HF
<p><u>C4140HM-1P</u></p>	<p><u>C4140HF-1P</u></p>
<p><u>C4140HM-2P</u></p>	<p><u>C4140HF-2P</u></p>
<p><u>C4140HMA-2P</u></p>	
<p><u>C4140HM-3P</u></p>	<p><u>C4140HF-3P</u></p>
<p><u>C4140HMA-3P</u></p>	



# C4140 SERIES

4.14mm pitch wire to wire and wire to board connector

## C4140H

4.14mm Pitch Housing

### Reference Informations:

- \*Material: Nylon 66, UL94V-2 or UL94V-0
- \*Suitable C4140F and C4140M series Terminal
- \*Color: Natural

### Ordering Information:

C4140HF-2xXP - \*\*  
1 2

1. Part No.
2. Material:  
(blank): UL94V-2/Natural  
V0: UL94V-0/White

### Ordering Information:

C4140HM(A)-2xXP - \*\*  
1 2

1. Part No.
2. Material:  
(blank): UL94V-2/Natural  
V0: UL94V-0/White

Unit: mm

C4140HM(A)	C4140HF
<p><u>C4140HM-2x2P</u></p>	<p><u>C4140HF-2x2P</u></p>
<p><u>C4140HMA-2x2P</u></p>	<p><u>C4140HF-2x3P</u></p>
<p><u>C4140HM-2x3P</u></p>	<p><u>C4140HMA-2x3P</u></p>

# C4140 SERIES

4.14mm pitch wire to wire and wire to board connector

## C4140H

4.14mm Pitch Housing

Unit: mm

C4140HM(A)		C4140HF	
<p><b>C4140HM-3x3P</b></p>		<p><b>C4140HF-3x3P</b></p>	
<p><b>C4140HMA-3x3P</b></p>		<p><b>C4140HF-3x4P</b></p>	
<p><b>C4140HM-3x4P</b></p>		<p><b>C4140HMA-3x4P</b></p>	
<p><b>C4140HM-3x5P</b></p>		<p><b>C4140HF-3x5P</b></p>	
<p><b>C4140HMA-3x5P</b></p>		<p><b>C4140HF-3x5P</b></p>	

# C4140 SERIES

4.14mm pitch wire to wire and wire to board connector

## C4140WV and WR

4.14mm Pitch Wafer

### Reference Informations:

- \*Material:Pin:Brass/Tin over Nickel or Gold over Nickel  
Insulator:Nylon 66,UL94V-0
- \*Mates with C4140HF series Housing
- \*Color:White

### Ordering Information:

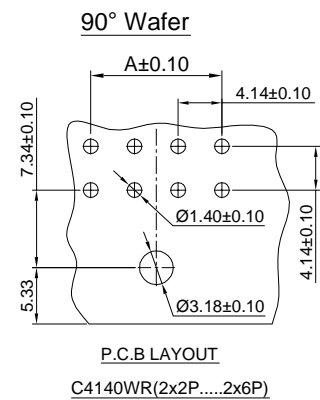
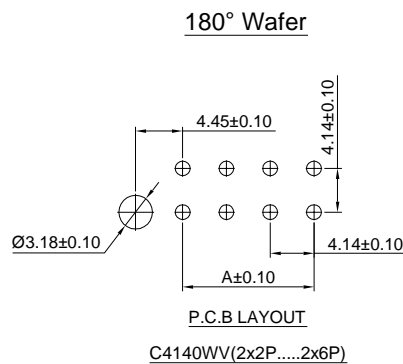
- C4140WV/WR-XP - \*\*
- |   |   |
|---|---|
| 1 | 2 |
|---|---|
- Part No.
  - Plated:  
(blank):Tin over Nickel  
G:Glod over Nickel

## Assembly layout

Unit: mm

### Dimensions:

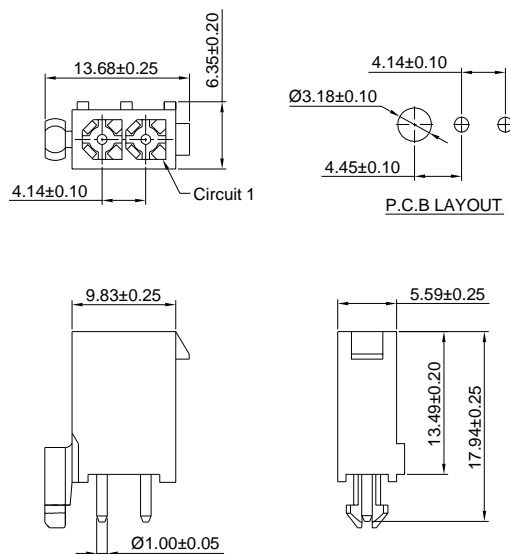
PART NO.		Dim.A
C4140WV-2x2P	C4140WR-2x2P	4.14
C4140WV-2x3P	C4140WR-2x3P	8.28
C4140WV-2x4P	C4140WR-2x4P	14.42
C4140WV-2x5P	C4140WR-2x5P	16.56
C4140WV-2x6P	C4140WR-2x6P	20.70



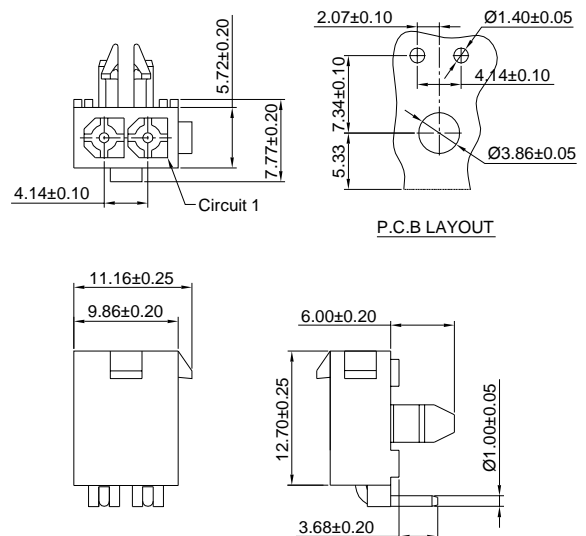
## C4140WV

## C4140WR

### C4140WV-2P



### C4140WR-2P



# C4140 SERIES

4.14mm pitch wire to wire and wire to board connector

## C4140WV and WR

4.14mm Pitch Wafer

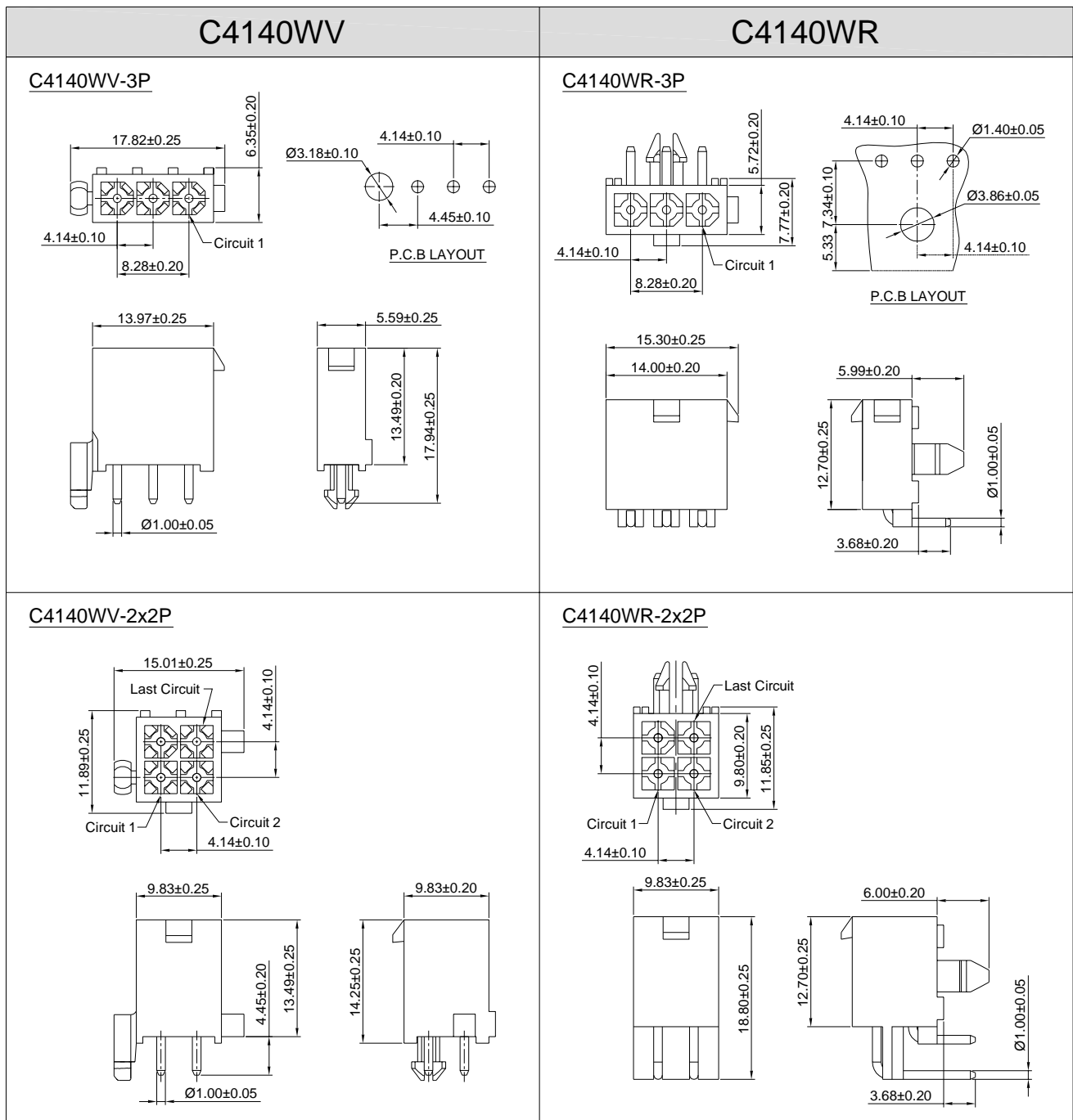
### Reference Informations:

- \*Material:Pin:Brass/Tin over Nickel or Gold over Nickel  
Insulator:Nylon 66,UL94V-0
- \*Mates with C4140HF series Housing
- \*Color:White

### Ordering Information:

- C4140WV/WR-2xXP - \*\*
- |   |   |
|---|---|
| 1 | 2 |
|---|---|
- 1.Part No.
  - 2.Plated:  
(blank):Tin over Nickel  
G:Gold over Nickel

Unit: mm



# C4140 SERIES

4.14mm pitch wire to wire and wire to board connector

## C4140WV and WR

4.14mm Pitch Wafer

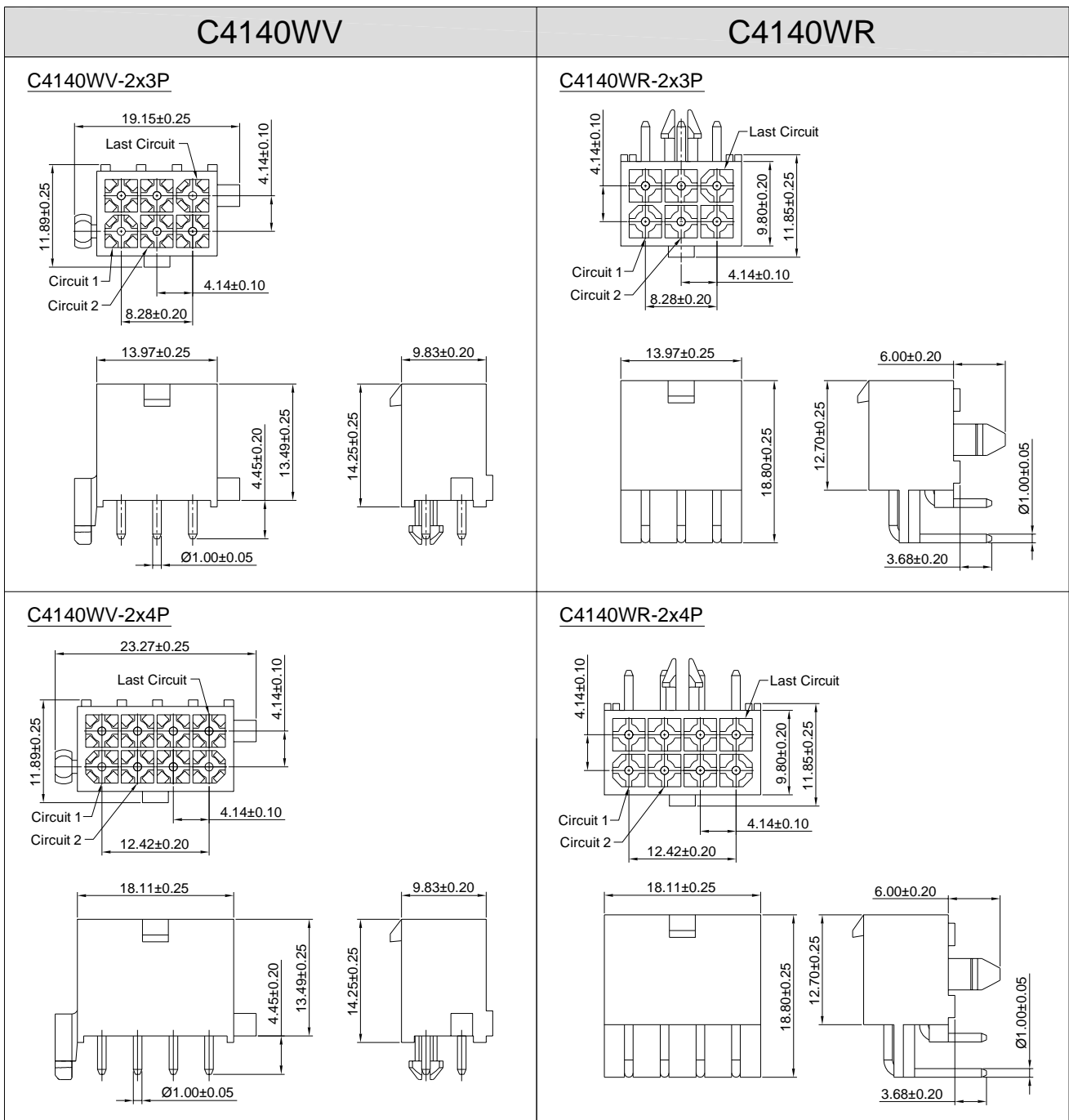
### Reference Informations:

- \*Material:Pin:Brass/Tin over Nickel or Gold over Nickel  
Insulator:Nylon 66,UL94V-0
- \*Mates with C4140HF series Housing
- \*Color:White

### Ordering Information:

- C4140WV/WR-2xXP - \*\*
- |   |   |
|---|---|
| 1 | 2 |
|---|---|
- 1.Part No.  
2.Plated:  
(blank):Tin over Nickel  
G:Glod over Nickel

Unit: mm



# C4140 SERIES

4.14mm pitch wire to wire and wire to board connector

## C4140WV and WR

4.14mm Pitch Wafer

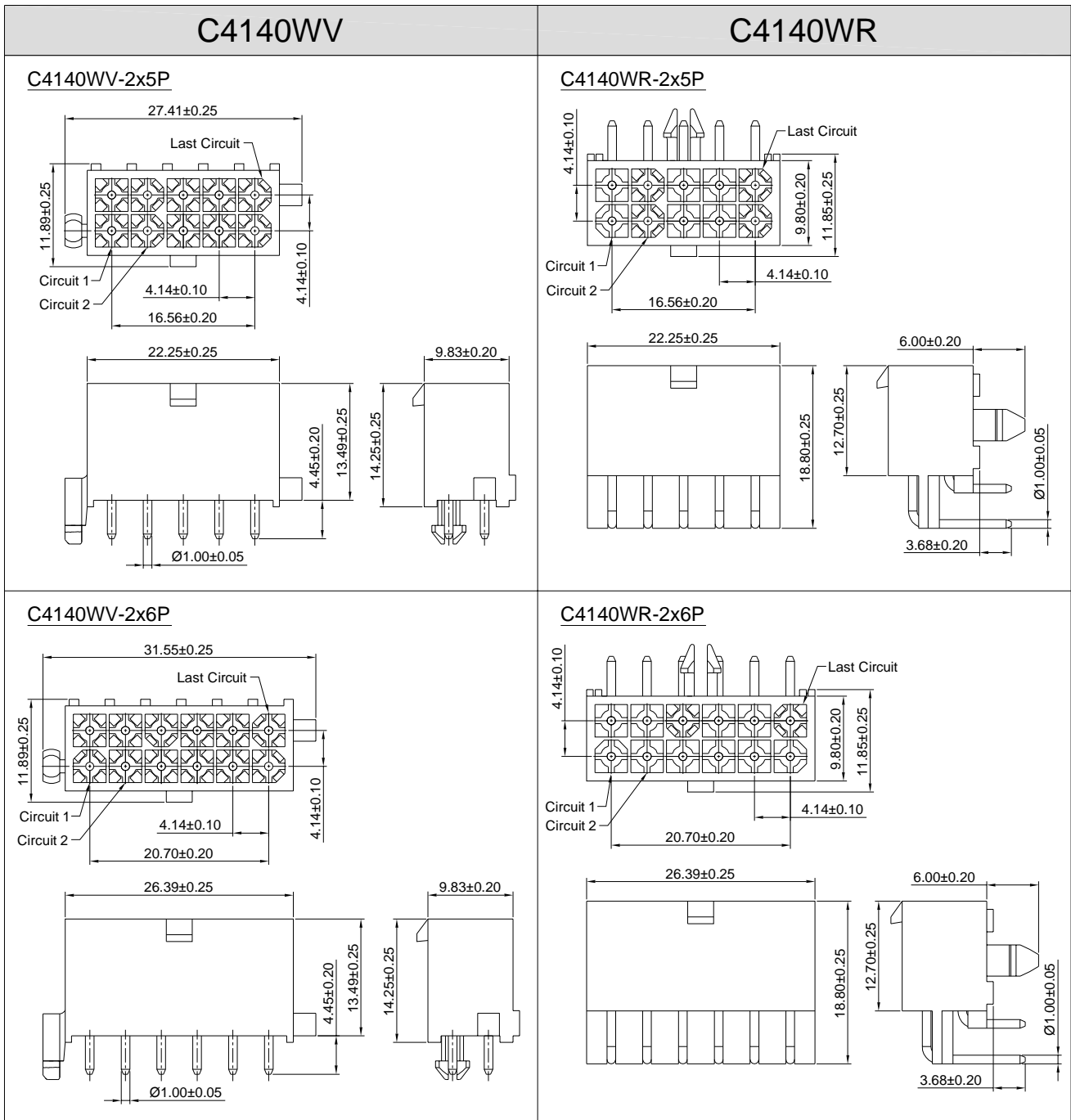
### Reference Informations:

- \*Material:Pin:Brass/Tin over Nickel or Gold over Nickel  
Insulator:Nylon 66,UL94V-0
- \*Mates with C4140HF series Housing
- \*Color:White

### Ordering Information:

- C4140WV/WR-2xXP - \*\*  
1 2
- 1.Part No.
  - 2.Plated:  
(blank):Tin over Nickel  
G:Gold over Nickel

Unit: mm



# C4140 SERIES

4.14mm pitch wire to wire and wire to board connector

## C4140WV

4.14mm Pitch Wafer

### Reference Informations:

- \*Material: Pin: Brass/Tin over Nickel or Gold over Nickel  
Insulator: Nylon 66, UL94V-0
- \*Mates with C4140HF series Housing
- \*Color: White

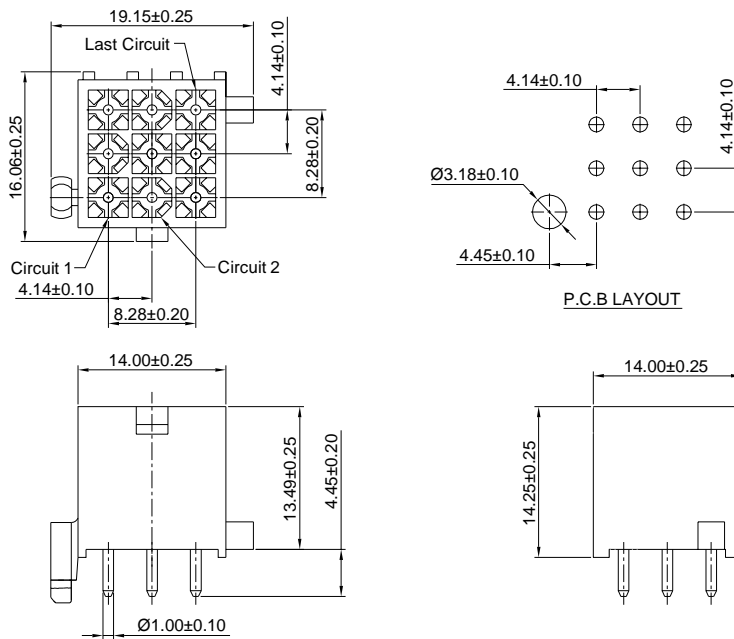
### Ordering Information:

- C4140WV/WR-3xXP - \*\*
- |   |   |
|---|---|
| 1 | 2 |
|---|---|
1. Part No.
  2. Plated:  
(blank): Tin over Nickel  
G: Gold over Nickel

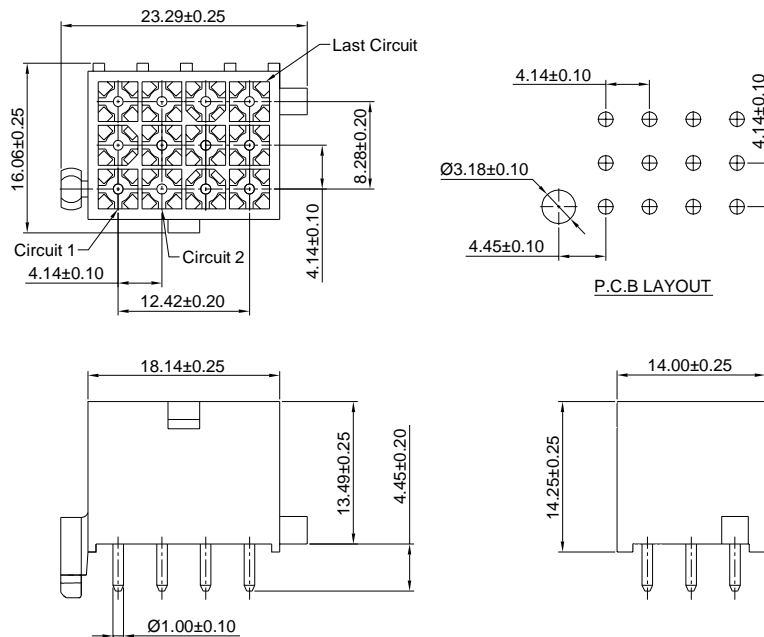
Unit: mm

## C4140WV

### C4140WV-3x3P



### C4140WV-3x4P



# C4140 SERIES

4.14mm pitch wire to wire and wire to board connector

## C4140WV

4.14mm Pitch Wafer

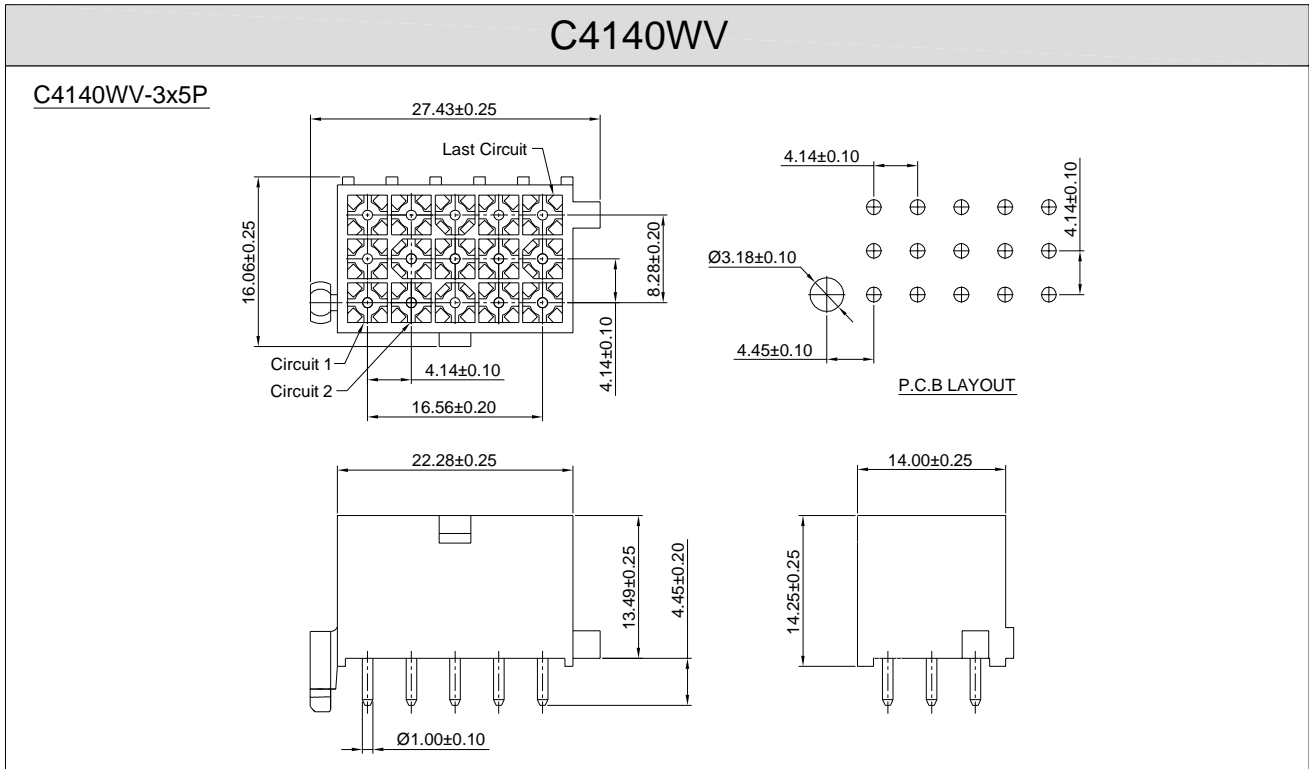
### Reference Informations:

- \*Material: Pin: Brass/Tin over Nickel or Gold over Nickel  
Insulator: Nylon 66, UL94V-0
- \*Mates with C4140HF series Housing
- \*Color: White

### Ordering Information:

- C4140WV/WR-3xXP - \*\*
- |   |   |
|---|---|
| 1 | 2 |
|---|---|
1. Part No.
  2. Plated:  
(blank): Tin over Nickel  
G: Glod over Nickel

Unit: mm





# C4140 SERIES

4.14mm pitch wire to wire and wire to board connector

## C4140HF-2

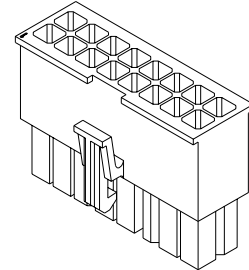
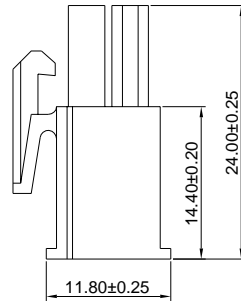
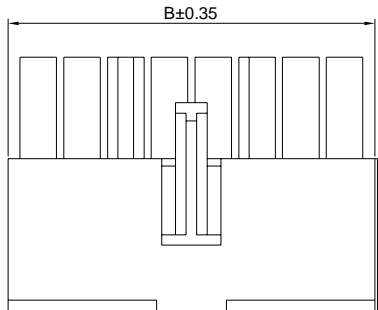
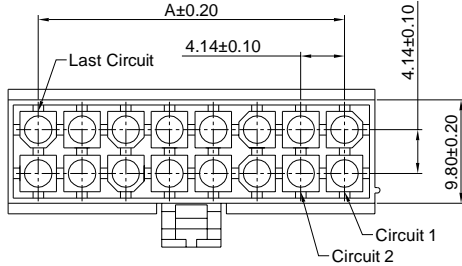
4.14mm Pitch Dual Row Housing

### Reference Informations:

- \*Material:Nylon 66,UL94V-0
- \*Suitable C4140F series Terminal
- \*Mates with C4140HM series dual row Housing and C4140WV C4140WR series dual row Wafer
- \*Color:White

Ordering Information:  
C4140HF-2xXP - \*\*  
1 2

- 1.Part No.
- 2.Material:  
(blank):UL94V-0/White  
V2:UL94V-2/Natural



### Ordering Information & Dimensions:

PART NO.	Dimensions	
	A	B
C4140HF-2x4P	12.42	18.47
C4140HF-2x5P	16.56	22.61
C4140HF-2x6P	20.70	26.75
C4140HF-2x7P	24.84	30.89
C4140HF-2x8P	28.98	35.03
C4140HF-2x9P	33.12	39.17
C4140HF-2x10P	37.26	43.31
C4140HF-2x11P	41.40	47.45
C4140HF-2x12P	45.54	51.59

Unit: mm

## C4140HM(A)-2

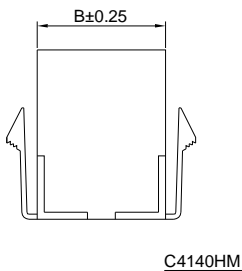
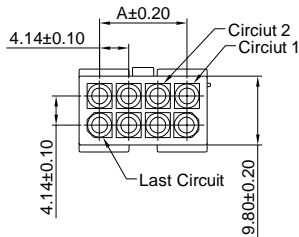
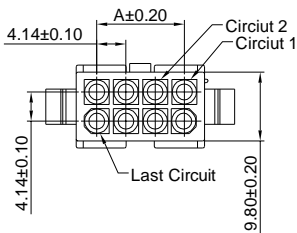
4.14mm Pitch Dual Row Housing

### Reference Informations:

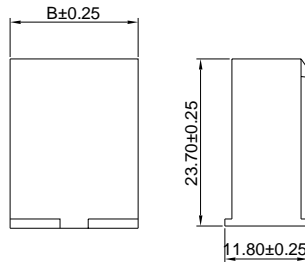
- \*Material:Nylon 66,UL94V-0
- \*Suitable C4140M series Terminal
- \*Mates with C4140HF series dual row Housing
- \*Color:Natural

Ordering Information:  
C4140HM(A)-2xXP - \*\*  
1 2

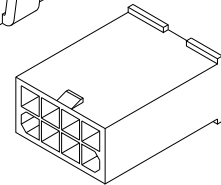
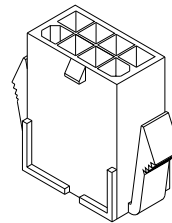
- 1.Part No.
- 2.Material:  
(blank):UL94V-0/White  
V2:UL94V-2/Natural



C4140HM



C4140HMA



### Ordering Information & Dimensions:

PART NO.	Dimensions	
	A	B
C4140HM(A)-2x4P	12.42	18.20
C4140HM(A)-2x5P	16.56	22.40
C4140HM(A)-2x6P	20.70	26.60
C4140HM(A)-2x7P	24.84	30.80
C4140HM(A)-2x8P	28.98	35.00
C4140HM(A)-2x9P	33.12	39.20
C4140HM(A)-2x10P	37.26	43.40
C4140HM(A)-2x11P	41.40	47.60
C4140HM(A)-2x12P	45.54	51.80

Unit: mm

# C4140 SERIES

4.14mm pitch wire to wire and wire to board connector

## C4140WV-2

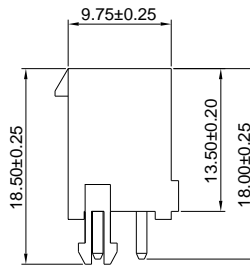
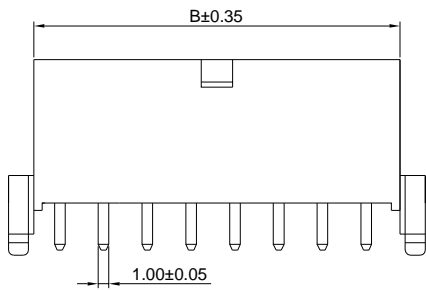
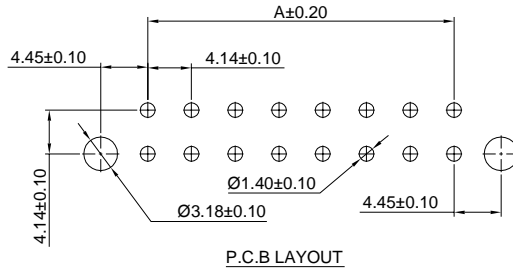
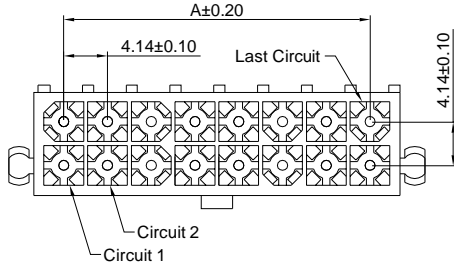
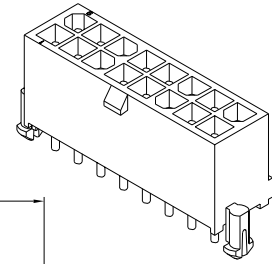
4.20mm pitch 180° Dual Row Wafer

### Reference Informations:

- \*Material: Pin: Brass/Tin over Nickel or Glod over Nickel  
Insulator: Nylon 66, UL94V-0
- \*Mates with C4140HF series dual row Housing
- \*Color: White

Ordering Information:  
C4140WV-2xXP - \*\*

1. Part No.
2. Plated:  
(blank): Tin over Nickel  
G: Glod over Nickel



Ordering Information & Dimensions:

PART NO.	Dimensions	
	A	B
C4140WV-2x7P	24.84	30.56
C4140WV-2x8P	28.98	34.70
C4140WV-2x9P	33.12	38.84
C4140WV-2x10P	37.26	42.98
C4140WV-2x11P	41.40	47.12
C4140WV-2x12P	45.54	51.26

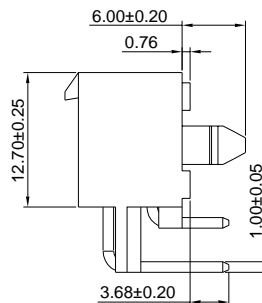
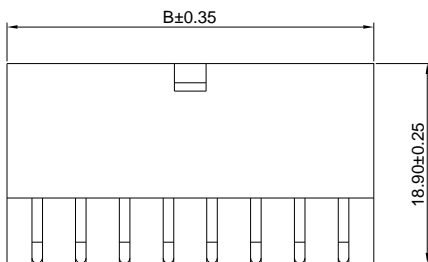
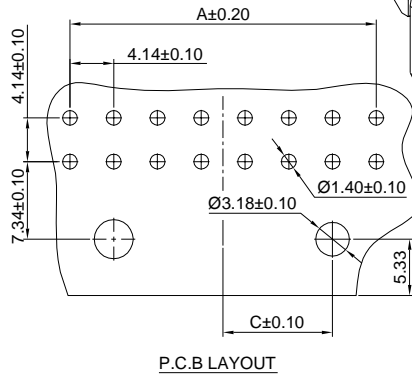
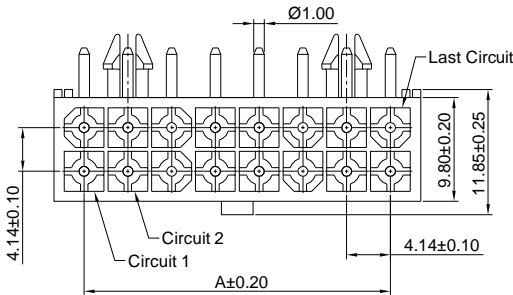
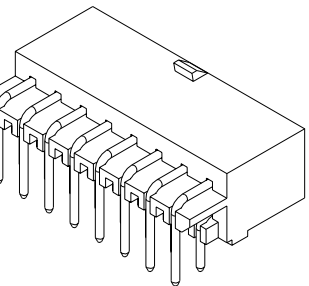
Unit: mm

## C4140WR-2

4.14mm pitch 90° Dual Row Wafer

### Reference Informations:

- \*Material: Pin: Brass/Tin over Nickel  
Insulator: Nylon 66, UL94V-0
- \*Mates with C4140HF series dual row Housing
- \*Color: White



Ordering Information:  
C4140WR-2xXP - \*\*

1. Part No.
2. Plated:  
(blank): Tin over Nickel  
G: Glod over Nickel

Ordering Information & Dimensions:

PART NO.	Dimensions		
	A	B	C
C4140WR-2x7P	24.84	30.56	8.28
C4140WR-2x8P	28.98	34.70	10.35
C4140WR-2x9P	33.12	38.84	8.28
C4140WR-2x10P	37.26	42.98	10.35
C4140WR-2x11P	41.40	47.12	10.35
C4140WR-2x12P	45.54	51.26	10.35

Unit: mm