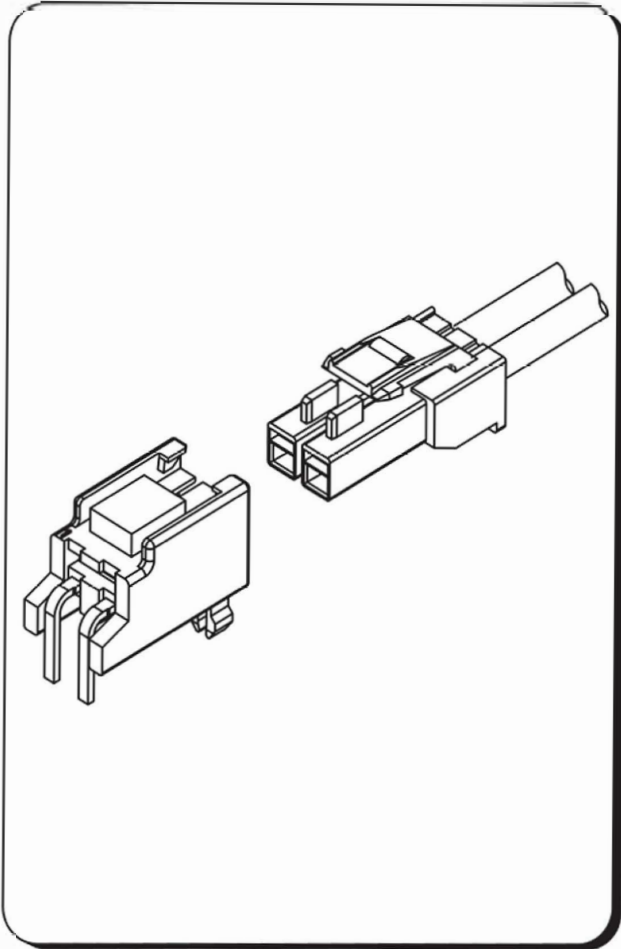


C3962 SERIES

3.96mm pitch wire to wire or wire to board connector



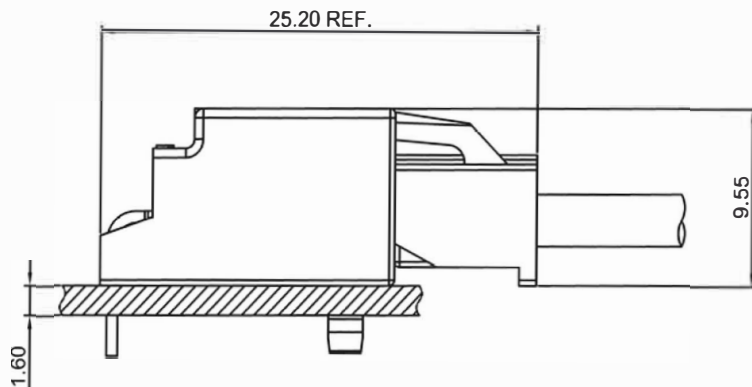
Specifications

Current rating:6A AC,DC
Voltage rating:300V AC,DC
Temperature range:-40°C~+105°C
Contact resistance:10mΩ Max.
Insulation resistance:1000MΩ Min.
Withstanding voltage:1500V AC/minute
Compliant with RoHS and REACH
Meet the HF/Halogen Free,GWT/Glow wire Test (IEC60335-1) request,need to customize
Contact for details

Standards



Assembly layout



C3962 SERIES

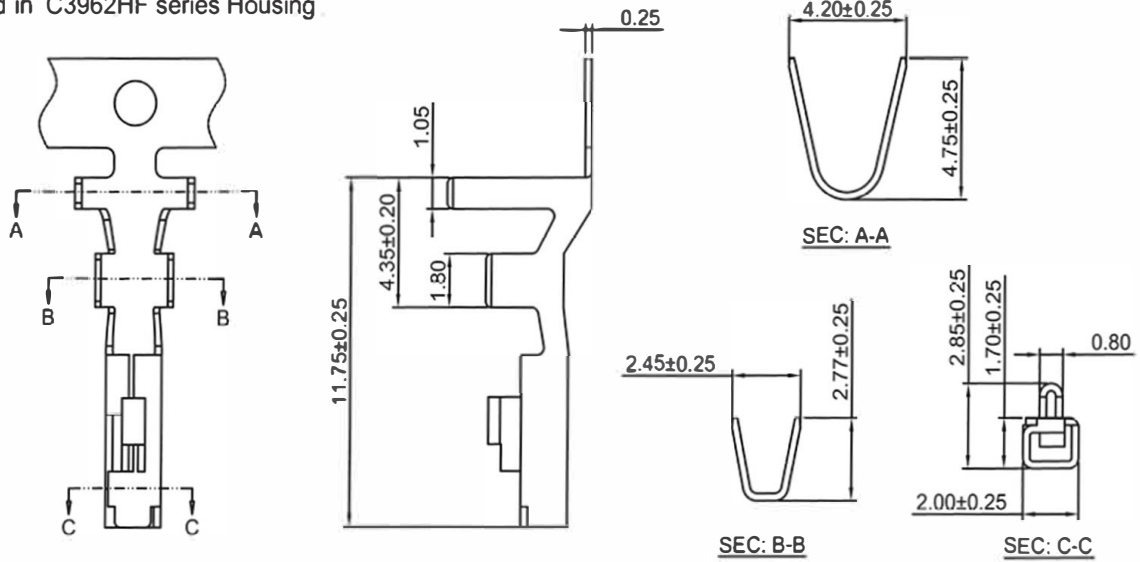
3.96mm pitch wire to wire or wire to board connector

C3962H-T

3.96mm pitch Crimp Terminal

Reference Informations:

*Used in C3962HF series Housing



Ordering information & Specifications:

Unit:mm

Part NO.	Wire Range	Insulation O.D.	Material	Finish	Qty/reel
C3962H-TB	AWG#18-#22	2.80mm(max)	Brass	Tin over Nickel	3,000 PCS
C3962H-TP	AWG#18-#22	2.80mm(max)	Phosphor Bronze	Tin over Nickel	3,000 PCS
C3962H-GB	AWG#18-#22	2.80mm(max)	Brass	Gold over Nickel	3,000 PCS
C3962H-GP	AWG#18-#22	2.80mm(max)	Phosphor Bronze	Gold over Nickel	3,000 PCS

Optional Gold plating available but MOQ requested

C3962H

3.96mm Pitch Housing

Reference Informations:

*Material:Nylon 66,UL94V-0

*Suitable C3962H-T series Terminal

*Mates with C3962WR series Wafer

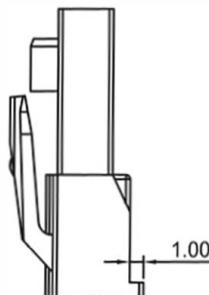
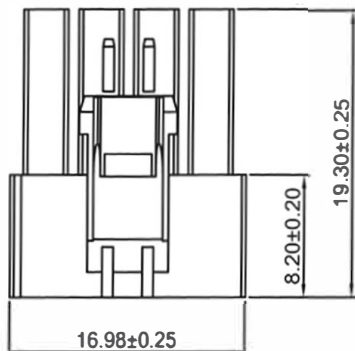
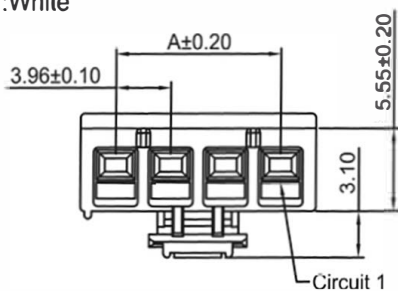
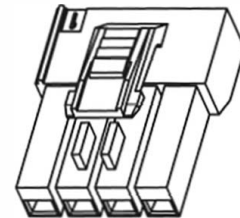
*Color:White

Ordering Information:

C3962H-NP - **
1 2

1.Part No.

2.Color:
(blank):White
BK:Black



Ordering Information & Dimensions:

PART NO.	Dimensions	
	A	B
C3962H-02P	3.96	9.06
C3962H-04P	11.88	16.98

C3962 SERIES

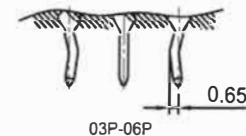
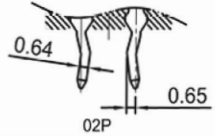
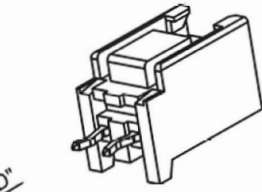
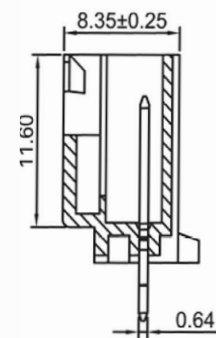
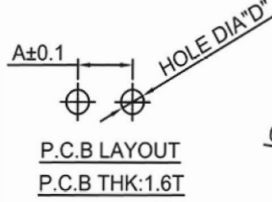
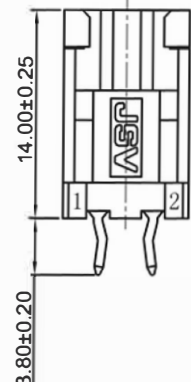
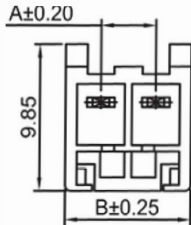
3.96mm pitch wire to wire or wire to board connector

C3962WV

3.96mm Pitch 90° Wafer

Reference Informations:

- *Material: Pin: Brass/Tin over Nickel
Wafer: GWT
- *Mates with C3962H series Housing
- *Color: Natural



Ordering Information:

C3962WV-NP-----
① ② ③ ④ ⑤

- ① Material:
G=GWT
- ③ Color code:
NA: Natural
RD: Red
BK: Black
BL: Blue
YL: Yellow
- ④ Pin information:
TB= Brass plated Tin
- ⑤ Client code
- ⑥ Packing
P: PE bag

Ordering Information & Dimensions:

PART NO.	Dimensions	
	A	B
C3962WV-02P	3.96	9.06
C3962WV-03P	7.92	13.02
C3962WV-04P	11.88	16.98
C3962WV-05P	15.84	20.94
C3962WV-06P	19.80	24.90

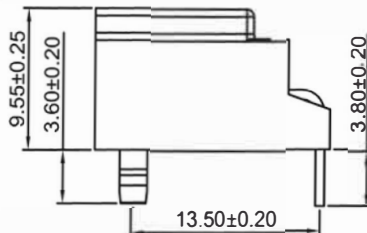
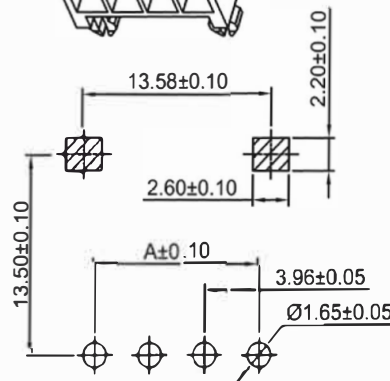
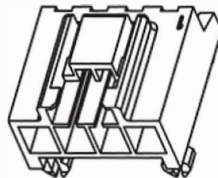
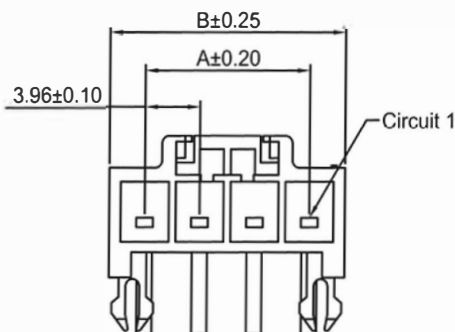
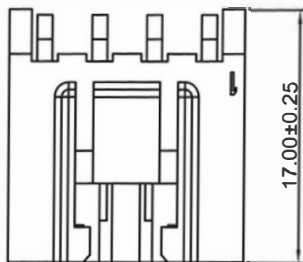
Unit: mm

C3962WR

3.96mm Pitch 90° Wafer

Reference Informations:

- *Material: Pin: Brass/Tin over Nickel
Wafer: Nylon 66, UL94V-0
- *Mates with C3962H series Housing
- *Color: Natural



Ordering Information:

C3962WR-NP-----
① ② ③ ④ ⑤

- ① Material:
G=GWT
- ③ Color code:
NA: Natural
RD: Red
BK: Black
BL: Blue
YL: Yellow
- ④ Pin information:
TB= Brass plated Tin
- ⑤ Client code
- ⑥ Packing
P: PE bag

Ordering Information & Dimensions:

PART NO.	Dimensions	
	A	B
C3962WR-02P	3.96	9.06
C3962WR-04P	11.88	16.98

Unit: mm

C3962 SERIES

3.96mm pitch wire to wire or wire to board connector

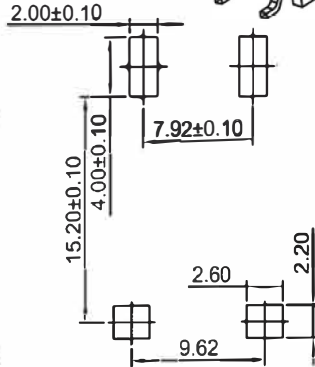
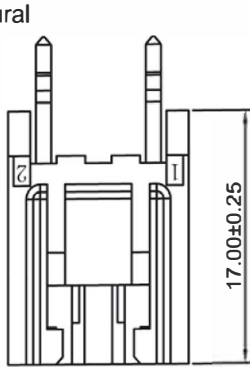
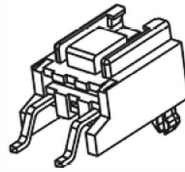
C3962WR-5-SF-A / 3.96mm Pitch 90° Wafer

Reference Informations:

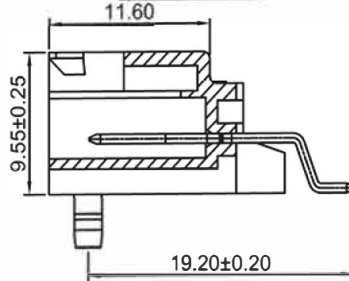
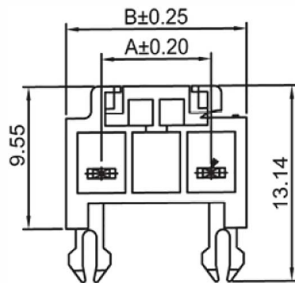
*Material: Pin: Brass/Tin over Nickel
Wafer: GWT

*Mates with C3962H series Housing

*Color: Natural



P. B LAYOUT
P.C.B THK: 1.6T



Ordering Information:

C3962WR-5-SF-A-03P-□-□-□-□-□

- ① Material:
G=GWT
- ② Color code:
NA:Natural
RD:Red
BK:Black
BL:Blue
YL:Yellow
- ③ Pin information:
TB=Brass plated Tin
- ④ Client code
- ⑤ Packing
R:Reel

Ordering Information & Dimensions:

PART NO.	Dimensions	
	A	B
C3962WR-5-SF-A-03P	7.92	13.02

Unit: mm

Unit: mm