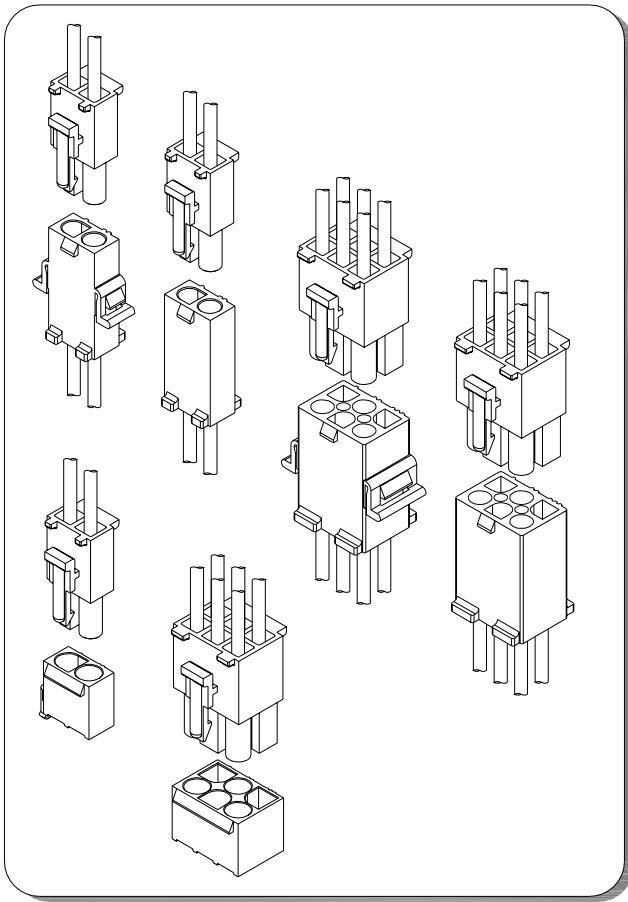


C2363 SERIES

6.70mm pitch wire to wire and wire to board connector



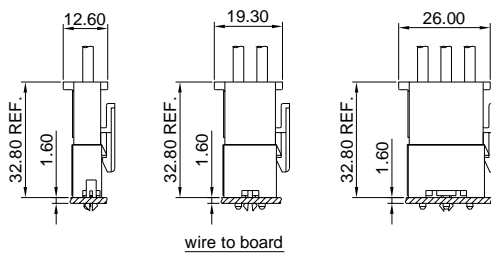
Specifications

- Current rating: 12A AC, DC
- Voltage rating: 600V AC, DC
- Temperature range: -40°C ~ +105°C
- Contact resistance: 10mΩ Max.
- Insulation resistance: 1000MΩ Min.
- Withstanding voltage: 1500V AC/minute
- *Compliant with RoHS and REACH*
- *Meet the HF/Halogen Free, GWT/Glow wire Test (IEC60335-1) request, need to customize*
- *Contact for details*

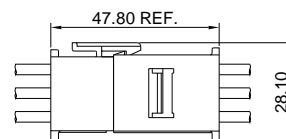
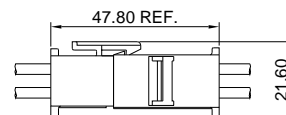
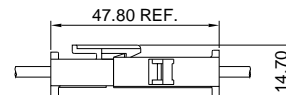
Standards



Assembly layout

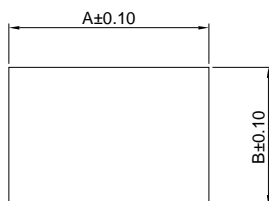


wire to board



wire to wire

Panel hole layout



PART NO.	Dimensions	
	A	B
C2363HM-1P	14.20	9.80
C2363HM-2P	20.90	10.00
C2363HM-3P	27.20	10.00
C2363HM-4P	34.30	10.00
C2363HM-2x3P	27.90	17.30
C2363HM-3x3P	28.40	23.70
C2363HM-3x4P	35.40	23.70
C2363HM-3x5P	41.90	23.70

Unit:mm

C2363 SERIES

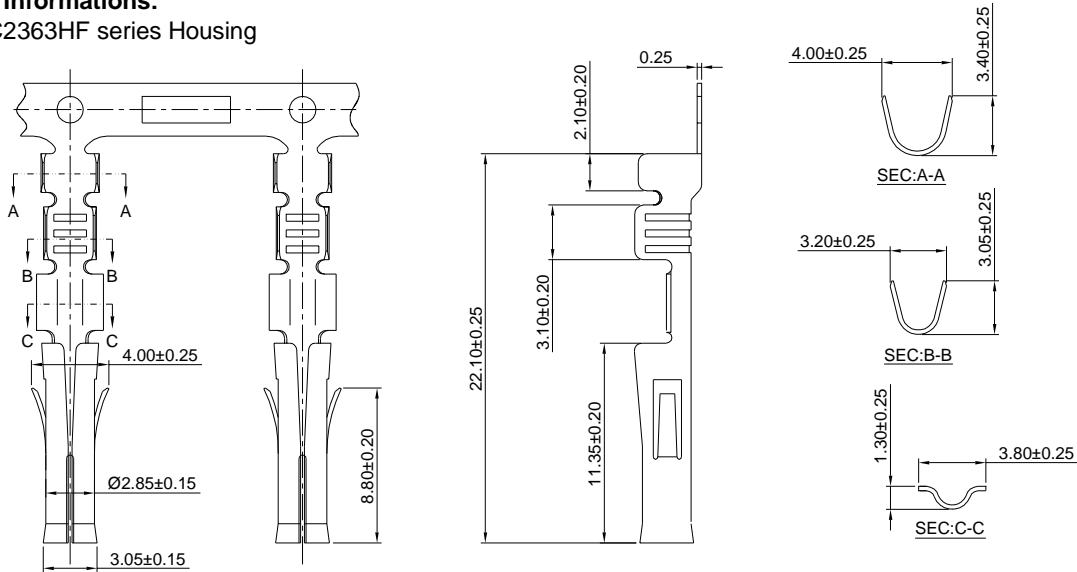
6.70mm pitch wire to wire and wire to board connector

C2363F-T

6.70mm pitch Crimp Terminal

Reference Informations:

*Used in C2363HF series Housing



Ordering information & Specifications:

Unit:mm

Part NO.	Wire Range	Insulation O.D.	Material	Finish	Qty/reel
C2363F-TB	AWG#18-#22	3.10mm(max)	Brass	Tin over Nickel	5,000 PCS
C2363F-TP	AWG#18-#22	3.10mm(max)	Phosphor Bronze	Tin over Nickel	5,000 PCS
C2363F-GB	AWG#18-#22	3.10mm(max)	Brass	Gold over Nickel	5,000 PCS
C2363F-GP	AWG#18-#22	3.10mm(max)	Phosphor Bronze	Gold over Nickel	5,000 PCS

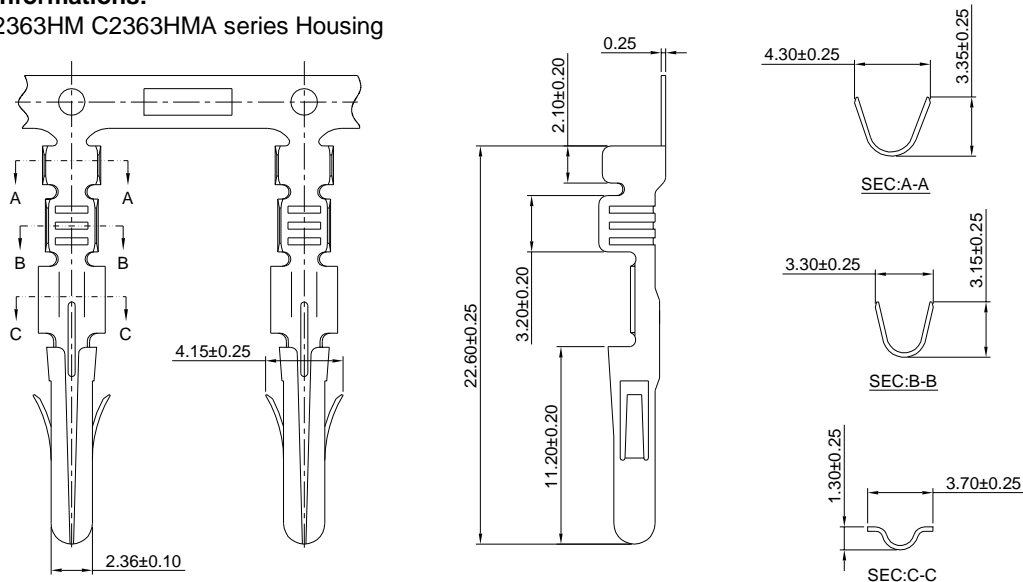
Optional Gold plating available but MOQ requested

C2363M-T

6.70mm pitch Crimp Terminal

Reference Informations:

*Used in C2363HM C2363HMA series Housing



Ordering information & Specifications:

Unit:mm

Part NO.	Wire Range	Insulation O.D.	Material	Finish	Qty/reel
C2363M-TB	AWG#18-#22	3.10mm(max)	Brass	Tin over Nickel	5,000 PCS
C2363M-TP	AWG#18-#22	3.10mm(max)	Phosphor Bronze	Tin over Nickel	5,000 PCS
C2363M-GB	AWG#18-#22	3.10mm(max)	Brass	Gold over Nickel	5,000 PCS
C2363M-GP	AWG#18-#22	3.10mm(max)	Phosphor Bronze	Gold over Nickel	5,000 PCS

Optional Gold plating available but MOQ requested

C2363 SERIES

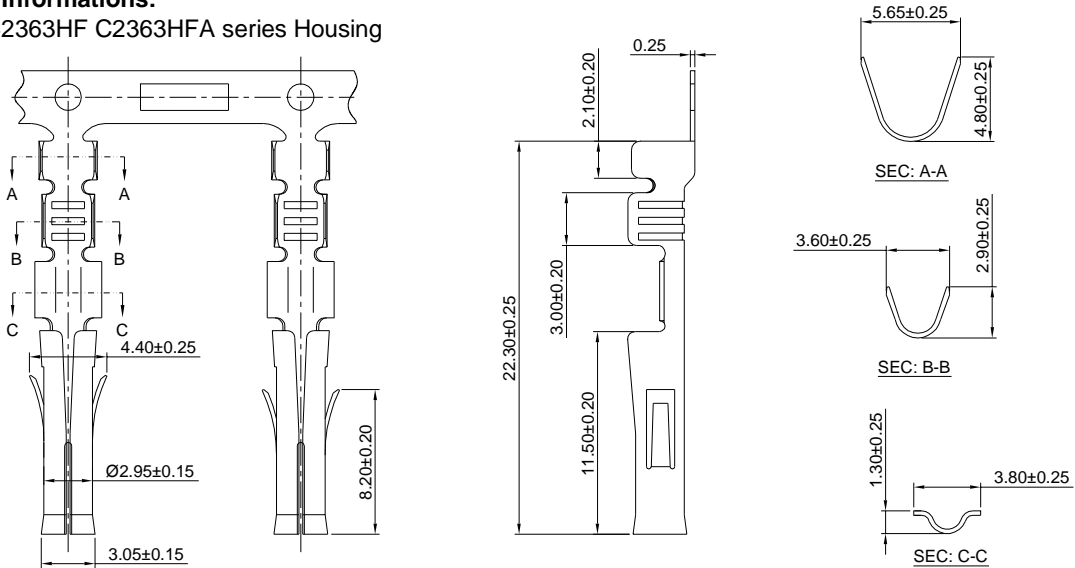
6.70mm pitch wire to wire and wire to board connector

C2363F-T-H

6.70mm pitch Crimp Terminal

Reference Informations:

*Used in C2363HF C2363HFA series Housing



Ordering information & Specifications:

Unit:mm

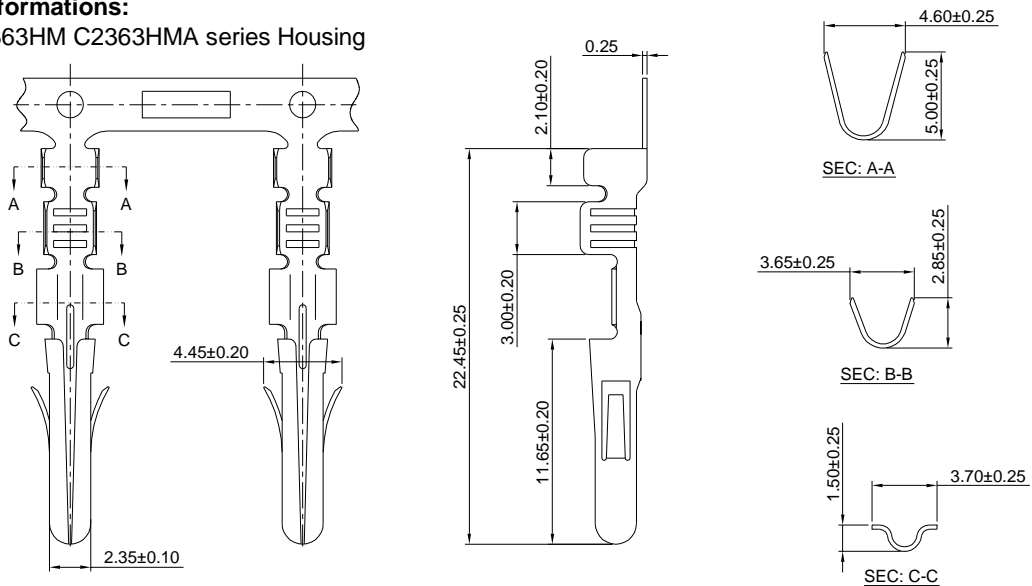
Part NO.	Wire Range	Insulation O.D.	Material	Finish	Qty/reel
C2363F-TB-H	AWG#14-#20	3.10mm(max)	Brass	Tin over Nickel	2,500 PCS
C2363F-TP-H	AWG#14-#20	3.10mm(max)	Phosphor Bronze	Tin over Nickel	2,500 PCS
C2363F-GB-H	AWG#14-#20	3.10mm(max)	Brass	Gold over Nickel	2,500 PCS
C2363F-GP-H	AWG#14-#20	3.10mm(max)	Phosphor Bronze	Gold over Nickel	2,500 PCS

C2363M-T-H

6.70mm pitch Crimp Terminal

Reference Informations:

*Used in C2363HM C2363HMA series Housing



Ordering information & Specifications:

Unit:mm

Part NO.	Wire Range	Insulation O.D.	Material	Finish	Qty/reel
C2363M-TB-H	AWG#14-#20	3.10mm(max)	Brass	Tin over Nickel	2,500 PCS
C2363M-TP-H	AWG#14-#20	3.10mm(max)	Phosphor Bronze	Tin over Nickel	2,500 PCS
C2363M-GB-H	AWG#14-#20	3.10mm(max)	Brass	Gold over Nickel	2,500 PCS
C2363M-GP-H	AWG#14-#20	3.10mm(max)	Phosphor Bronze	Gold over Nickel	2,500 PCS

Optional Gold plating available but MOQ requested

C2363 SERIES

6.70mm pitch wire to wire and wire to board connector

C2363H

6.70mm Pitch Housing

Reference Informations:

*Material:Nylon 66,UL94V-2

*Suitable C2363F(H) and C2363M(H) series Terminal

*Color:Natural

Ordering Information:

C2363HF-XP - **
1 2

1.Part No.

2.Material/Color:
(blank):UL94V-2/Natural
V0:UL94V-0/White

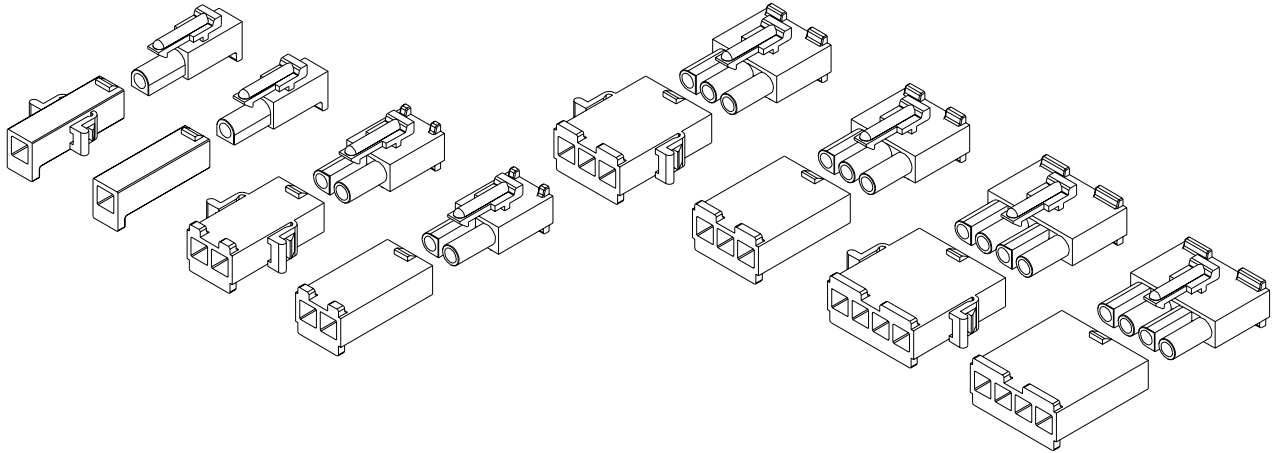
Ordering Information:

C2363HM<HMA>-XP - **
1 2

1.Part No.

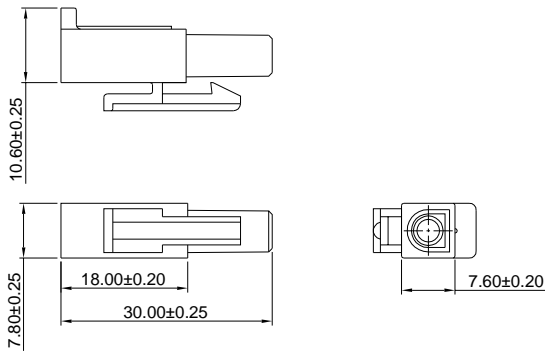
2.Material/Color:
(blank):UL94V-2/Natural
V0:UL94V-0/White

Unit: mm



C2363HF

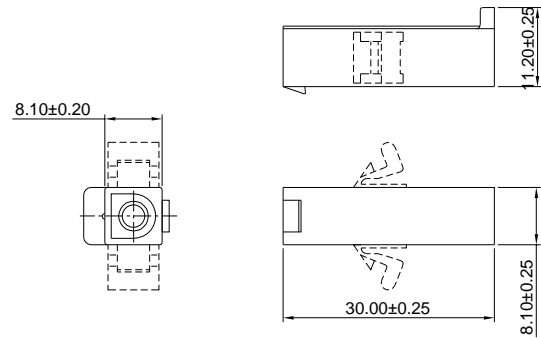
C2363HF-1P



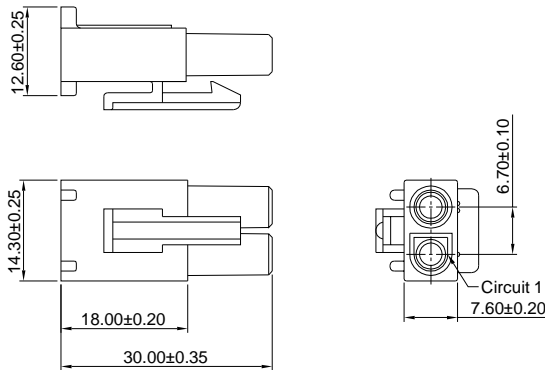
C2363HM<HMA>

C2363HM-1P

C2363HMA-1P(WITHOUT EARS)

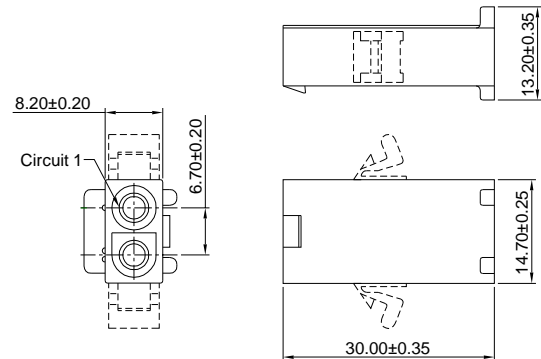


C2363HF-2P



C2363HM-2P

C2363HMA-2P(WITHOUT EARS)



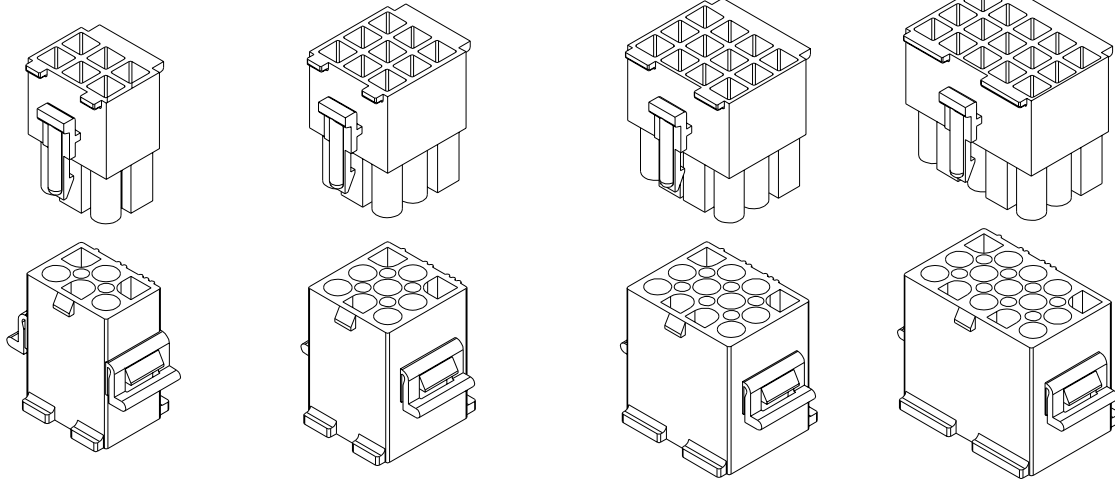
C2363 SERIES

6.70mm pitch wire to wire and wire to board connector

C2363H

6.70mm Pitch Housing

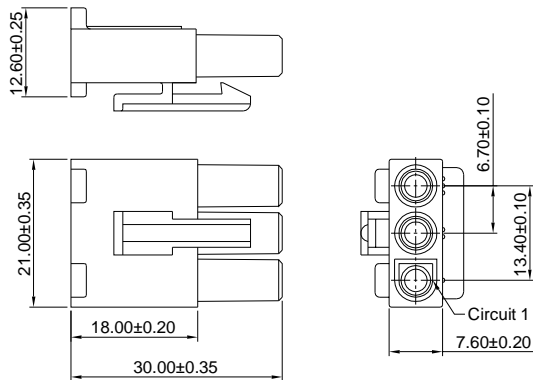
Unit: mm



C2363HF

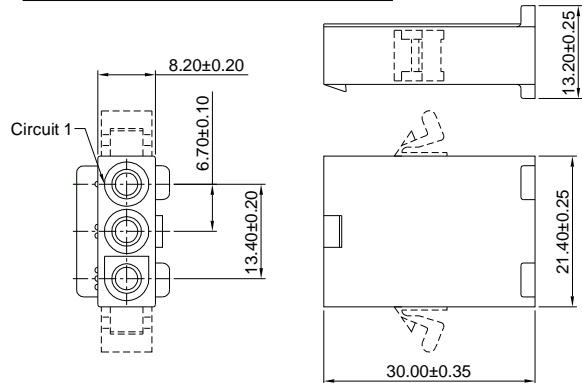
C2363HM<HMA>

C2363HF-3P

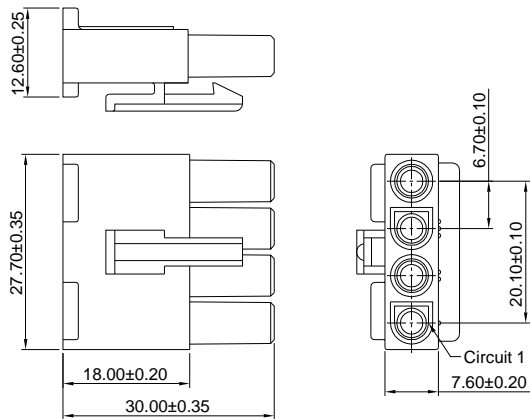


C2363HM-3P

C2363HMA-3P(WITHOUT EARS)

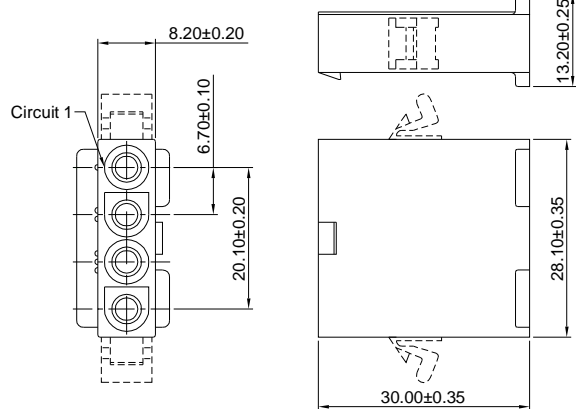


C2363HF-4P



C2363HM-4P

C2363HMA-4P(WITHOUT EARS)



C2363 SERIES

6.70mm pitch wire to wire and wire to board connector

C2363H

6.70mm Pitch Housing

Reference Informations:

*Material:Nylon 66,UL94V-2 or UL94V-0

*Suitable C2363F(H) and C2363M(H) series Terminal

*Color:Natural

Ordering Information:

C2363HF-XP - **
1 2

1.Part No.

2.Material/Color:

(blank):UL94V-2/Natural

V0:UL94V-0/White

Ordering Information:

C2363HM<HMA>-XP - **
1 2

1.Part No.

2.Material/Color:

(blank):UL94V-2/Natural

V0:UL94V-0/White

Unit: mm

C2363HF	C2363HM<HMA>
<p><u>C2363HF-2x3P</u></p>	<p><u>C2363HM-2x3P</u> <u>C2363HMA-2x3P(WITHOUT EARS)</u></p>
<p><u>C2363HF-3x3P</u></p>	<p><u>C2363HM-3x3P</u> <u>C2363HMA-3x3P(WITHOUT EARS)</u></p>

C2363 SERIES

6.70mm pitch wire to wire and wire to board connector

C2363H

6.70mm Pitch Housing

Unit: mm

C2363HF	C2363HM<HMA>
<p><u>C2363HF-3x4P</u></p>	<p><u>C2363HM-3x4P</u> <u>C2363HMA-3x4P(WITHOUT EARS)</u></p>
<p><u>C2363HF-3x5P</u></p>	<p><u>C2363HM-3x5P</u> <u>C2363HMA-3x5P(WITHOUT EARS)</u></p>

C2363 SERIES

6.70mm pitch wire to wire and wire to board connector

C2363WV

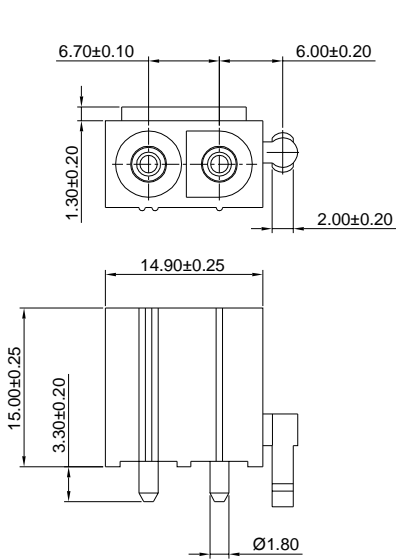
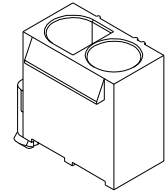
6.70mm Pitch 180° Wafer

Reference Informations:

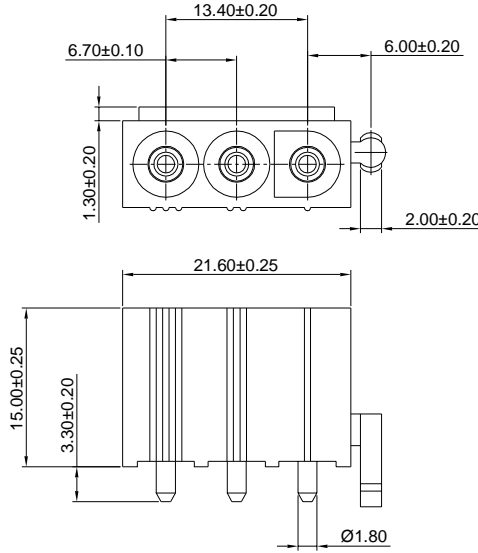
- *Material: Pin: Brass/Tin over Nickel
Insulator: Nylon 66, UL94V-2
- *Mates with C2363HF series single row Housing
- *Color: Natural

Ordering Information:

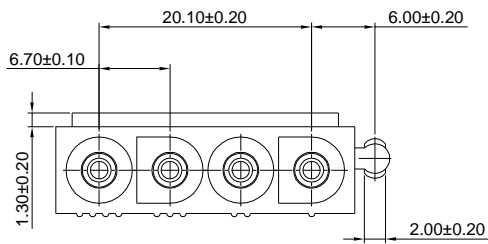
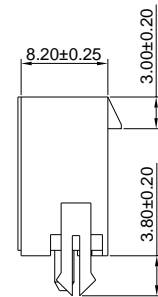
- C2363WV-XP - **
- | | |
|---|---|
| 1 | 2 |
|---|---|
1. Part No.
2. Material/Color:
(blank): UL94V-2/Natural
V0: UL94V-0/White



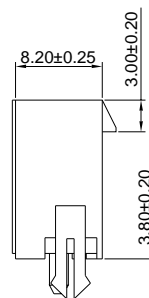
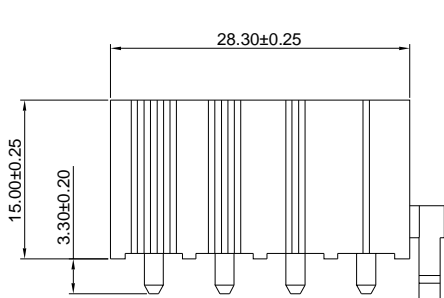
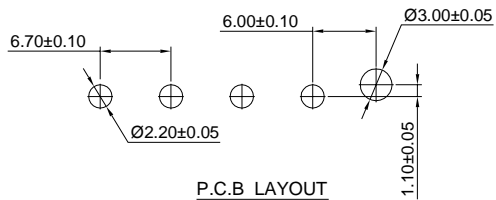
C2363WV-2P



C2363WV-3P



C2363WV-4P



C2363 SERIES

6.70mm pitch wire to wire and wire to board connector

C2363WV-2x3P

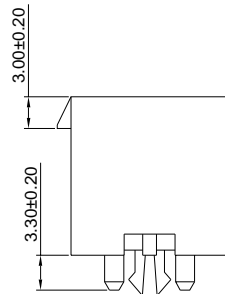
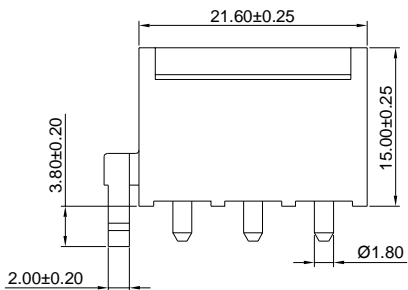
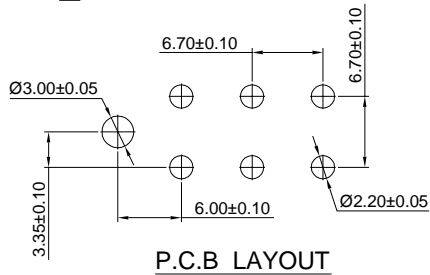
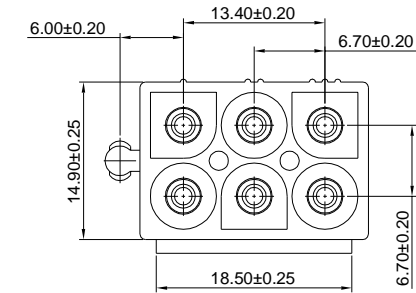
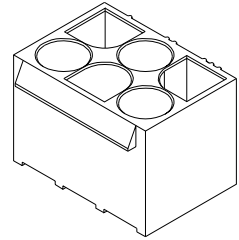
6.70mm Pitch 180° Dual Row Wafer

Reference Informations:

- *Material:Pin:Brass/Tin over Nickel
Insulator:Nylon 66,UL94V-2
- *Mates with C2363HF series Dual Row Housing
- *Color:Natural

Ordering Information:

- C2363WV-2x3P - **
- | | |
|---|---|
| 1 | 2 |
|---|---|
- Part No.
 - Material/Color:
(blank):UL94V-2/Natural
V0:UL94V-0/White



C2363WV-3x3P

6.70mm Pitch 180° Triple Row Wafer

Reference Informations:

- *Material:Pin:Brass/Tin over Nickel
Insulator:Nylon 66,UL94V-2
- *Mates with C2363HF series Triple Row Housing
- *Color:Natural

Ordering Information:

- C2363WV-3x3P - **
- | | |
|---|---|
| 1 | 2 |
|---|---|
- Part No.
 - Material/Color:
(blank):UL94V-2/Natural
V0:UL94V-0/White

