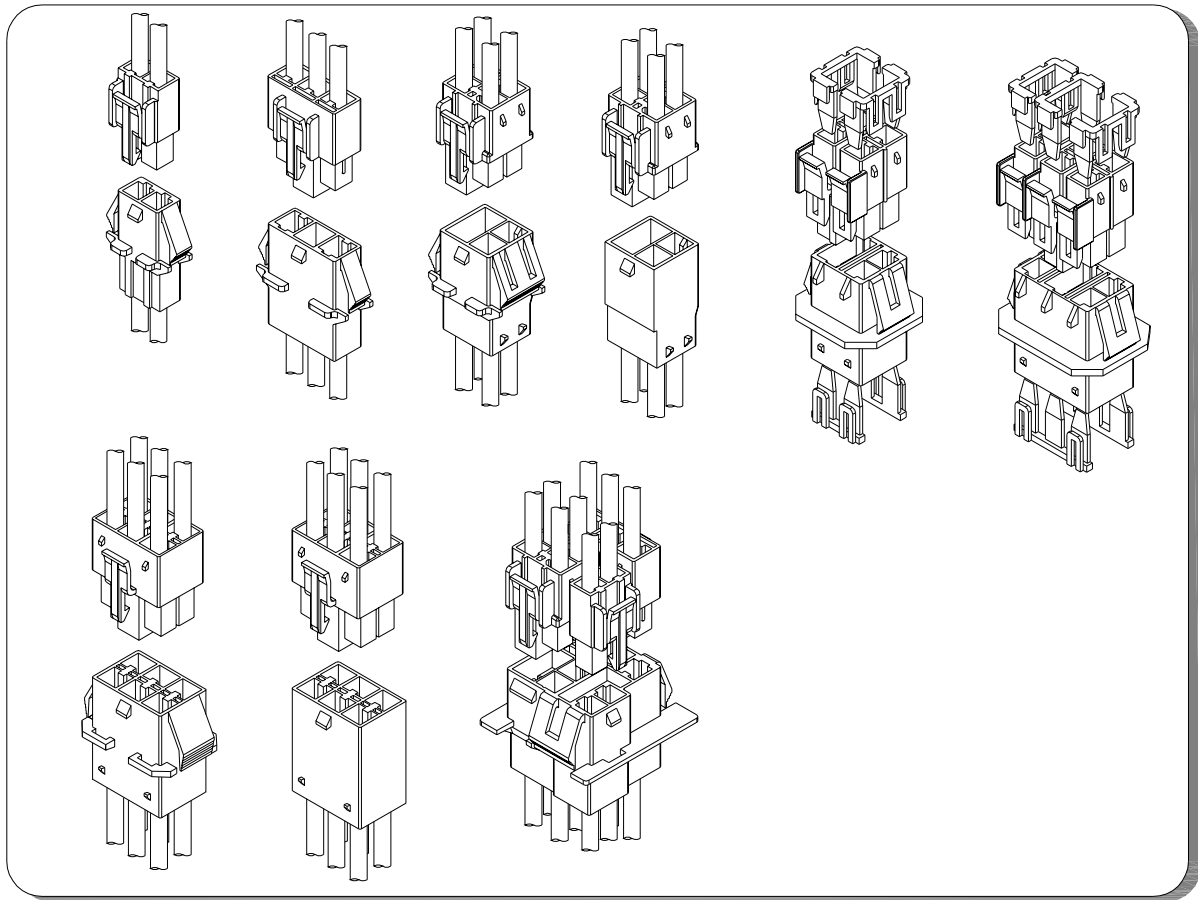


C1801 SERIES

6.20~8.90mm pitch wire to wire connector



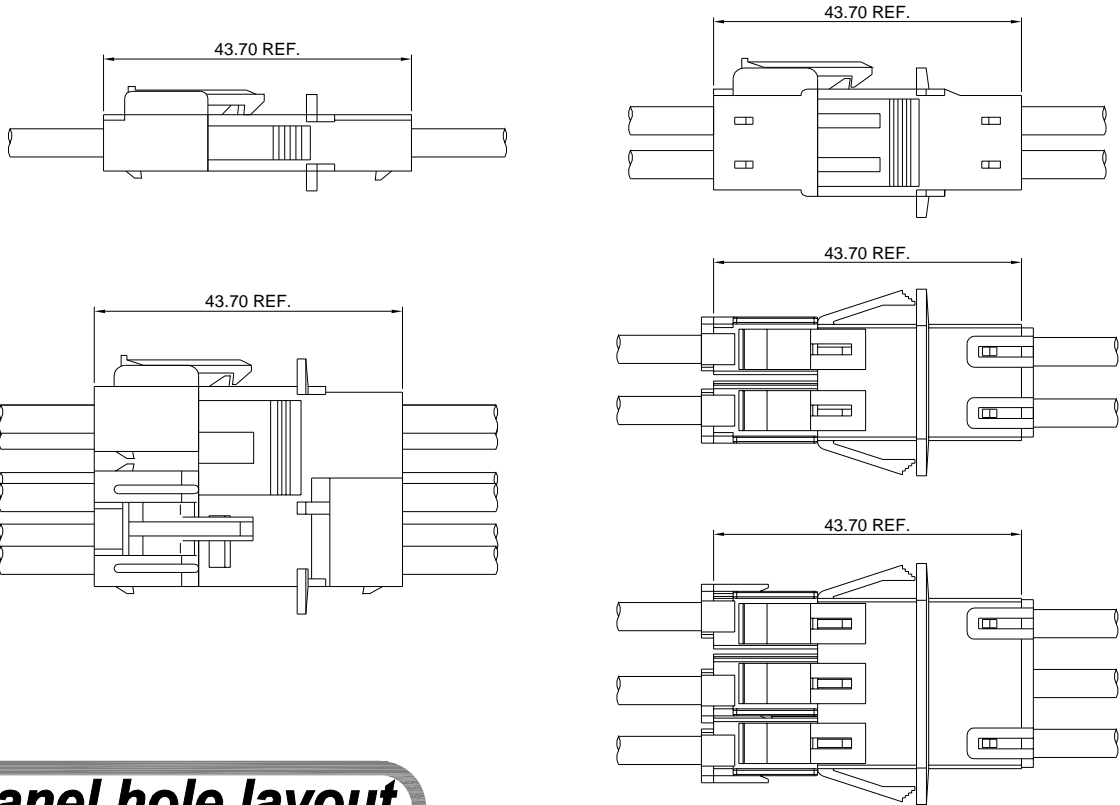
Specifications

- Current rating: 15A AC,DC
- Voltage rating: 300V AC,DC
- Temperature Range: -40°C ~ +105°C
- Contact resistance: 10mΩ Max
- Insulation resistance: 1000MΩ Min
- Withstanding voltage: 1500V AC/minute
- *Compliant with RoHS and REACH*
- *Meet the HF/Halogen Free,GWT/Glow wire Test (IEC60335-1) request,need to customize*
- *Contact for details*

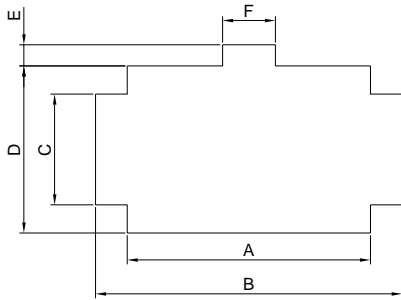
Standards



Assembly layout

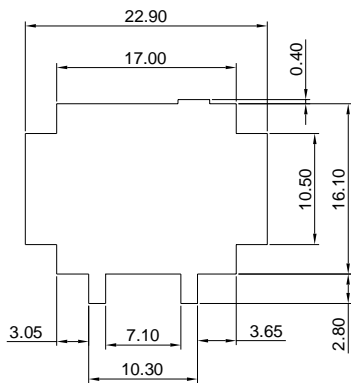


Panel hole layout

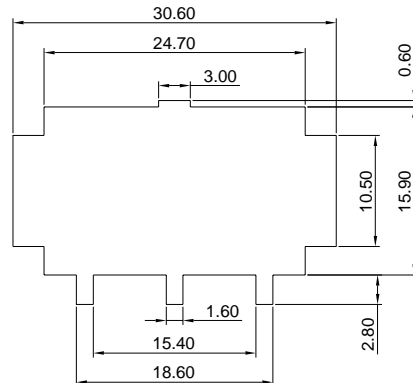


PART NO.	Dimensions					
	A	B	C	D	E	F
C1801HM-2P	13.90	19.90	5.50	8.50	2.00	5.00
C1801HM-3P	22.90	28.90	5.50	9.70	2.00	5.00
C1801HM-2X2P	16.90	22.80	12.90	15.70	2.00	5.00
C1801HM-2X3P	23.90	29.00	10.50	15.80	2.00	5.00

Unit:mm



C1801HMA-2x2P



C1801HMA-2x3P

C1801 SERIES

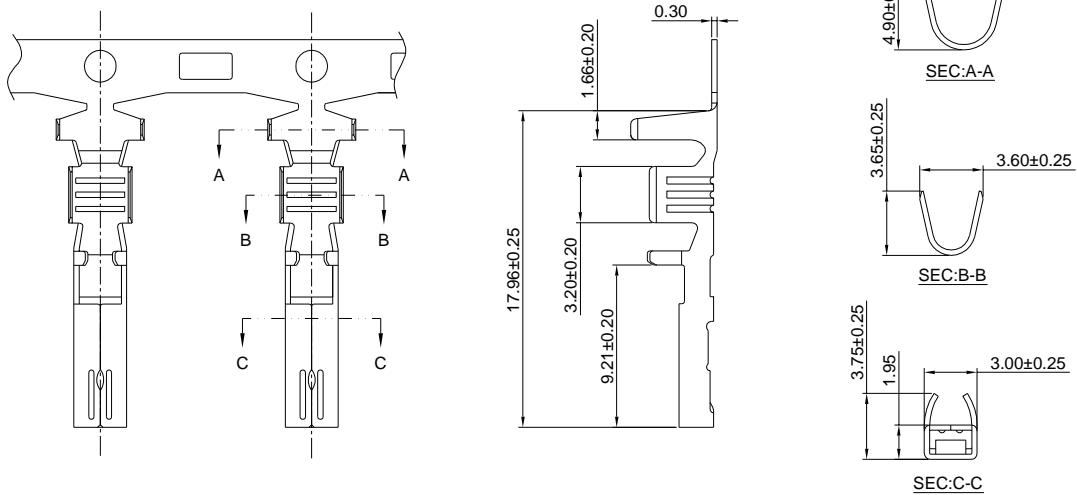
6.20~8.90mm pitch wire to wire connector

C1801F-T

6.20/7.30/7.80/8.00/8.50/8.70/8.90mm pitch Crimp Terminal

Reference Informations:

*Used in C1801 series Housing



Ordering information & Specifications:

Unit:mm

Part NO	Wire Range	Insulation O.D.	Material	Finish	Qty/reel
C1801F-TP	AWG#14-#20	4.10mm(max)	Phosphor Bronze	Tin over Nickel	2,500 PCS
C1801F-GP	AWG#14-#20	4.10mm(max)	Phosphor Bronze	Gold over Nickel	2,500 PCS

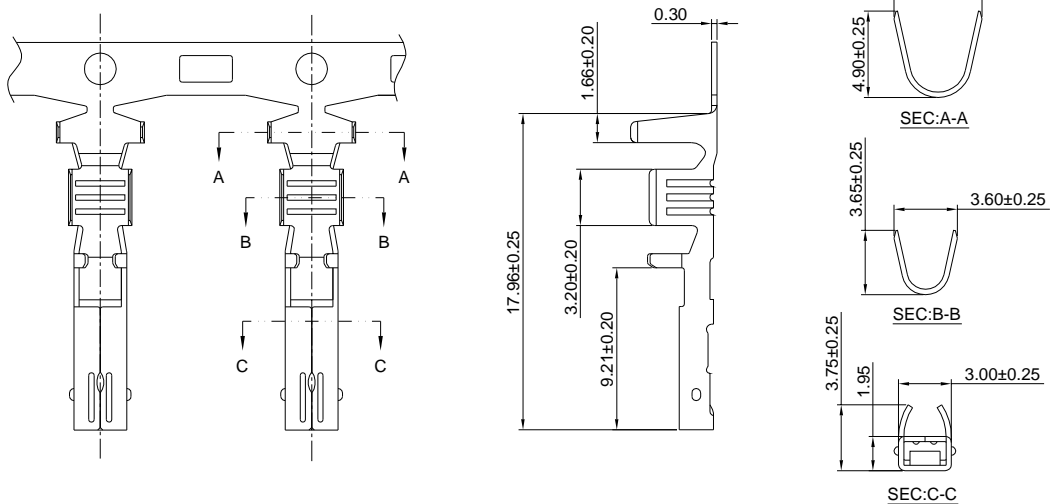
Optional Gold plating available but MOQ requested

C1801FA-T

6.20/7.30/7.80/8.90mm pitch Crimp Terminal

Reference Informations:

*Used in C1801 series Housing



Ordering information & Specifications:

Unit:mm

Part NO	Wire Range	Insulation O.D.	Material	Finish	Qty/reel
C1801FA-TP	AWG#14-#20	4.10mm(max)	Phosphor Bronze	Tin over Nickel	2,500 PCS
C1801FA-GP	AWG#14-#20	4.10mm(max)	Phosphor Bronze	Gold over Nickel	2,500 PCS

Optional Gold plating available but MOQ requested

C1801 SERIES

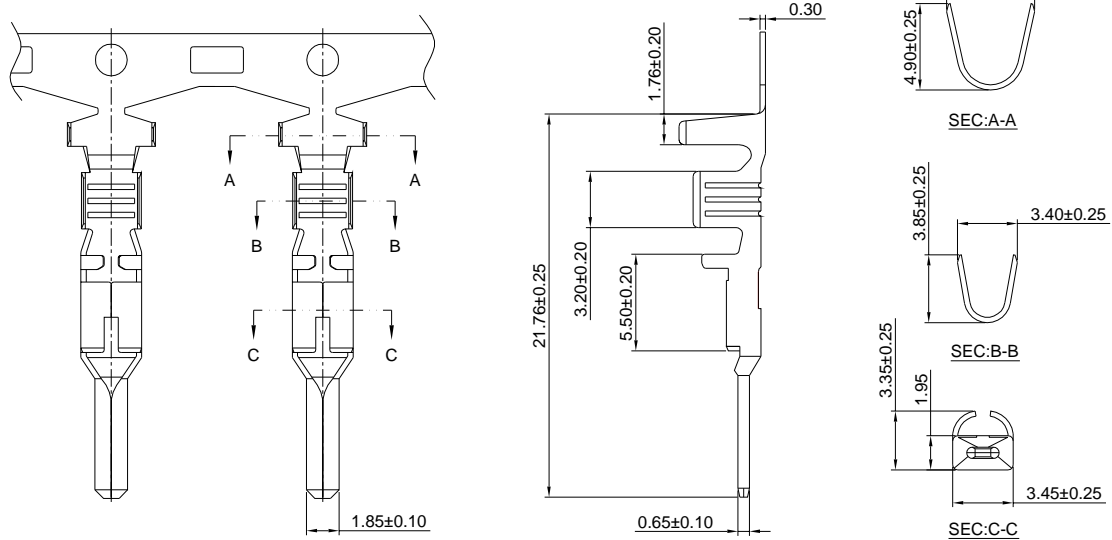
6.20~8.90mm pitch wire to wire connector

C1801M-T

6.20/7.30/7.80/8.00/8.50/8.70/8.90mm pitch Crimp Terminal

Reference Informations:

*Used in C1801 series Housing



Ordering information & Specifications:

Unit:mm

Part NO	Wire Range	Insulation O.D.	Material	Finish	Qty/reel
C1801M-TP	AWG#14-#20	4.10mm(max)	Phosphor Bronze	Tin over Nickel	2,500 PCS
C1801M-GP	AWG#14-#20	4.10mm(max)	Phosphor Bronze	Gold over Nickel	2,500 PCS

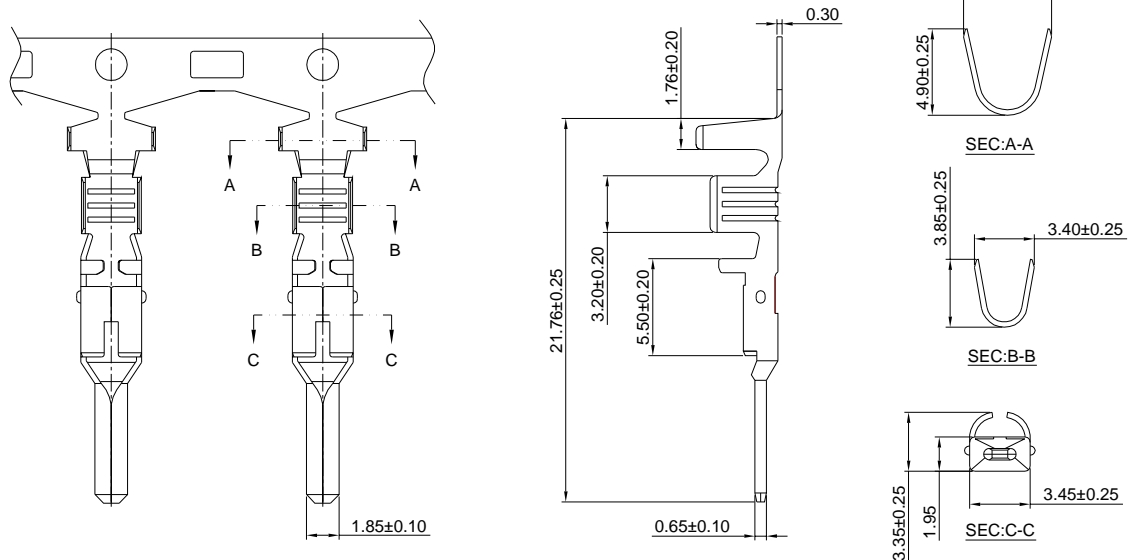
Optional Gold plating available but MOQ requested

C1801MA-T

6.20/7.30/7.80/8.90mm pitch Crimp Terminal

Reference Informations:

*Used in C1801 series Housing



Ordering information & Specifications:

Unit:mm

Part NO	Wire Range	Insulation O.D.	Material	Finish	Qty/reel
C1801MA-TP	AWG#14-#20	4.10mm(max)	Phosphor Bronze	Tin over Nickel	2,500 PCS
C1801MA-GP	AWG#14-#20	4.10mm(max)	Phosphor Bronze	Gold over Nickel	2,500 PCS

Optional Gold plating available but MOQ requested

C1801 SERIES

6.20~8.90mm pitch wire to wire connector

C1801H

6.20/7.30/7.80/8.00/8.50/8.70/8.90mm Pitch Housing

Reference Informations:

- *Material:Housing:Nylon 66,UL94V-0
Retainer:Nylon 66,UL94V-2
- *Suitable C1801 series Terminal
- *Color:White

Ordering Information:

- C1801S-XP - **
1 2
- 1.Part No.
 - 2.COLOR:
(blank):Natural
RD:Red
YL:Yellow
BL:Blue

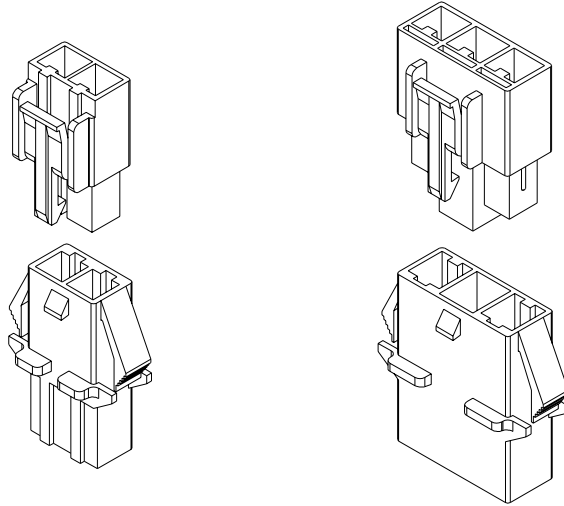
C1801HF	C1801HM<HMA>	Retainer
<p>C1801HF-1P *Suitable Terminal: C1801F-T</p>	<p>C1801HM-1P *Suitable Terminal: C1801M-T</p>	<p>C1801S-1P-**</p>
<p>C1801HF-2P *Suitable Terminal: C1801F-T</p>	<p>C1801HM-2P *Suitable Terminal: C1801M-T</p>	<p>C1801S-2P-**</p>
<p>C1801HMA-2P *Suitable Terminal: C1801M-T</p>	<p>C1801HMA-2P *Suitable Terminal: C1801M-T</p>	<p>C1801S-2P-**</p>

C1801 SERIES

6.20~8.90mm pitch wire to wire connector

C1801H

6.20/7.30/7.80/8.00/8.50/8.70/8.90mm Pitch Housing



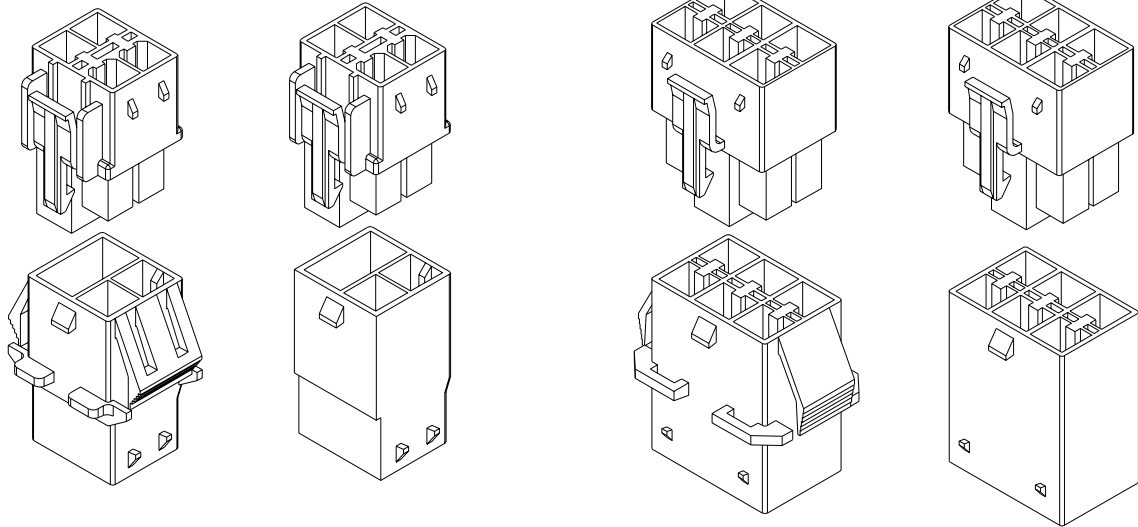
C1801HF	C1801HM<HMA>	Retainer
<p>C1801HF-3P *Suitable Terminal: C1801FA-T (Circuit 1) C1801MA-T (Circuit 2) C1801F-T (Circuit 3)</p>	<p>C1801HM-3P *Suitable Terminal: C1801MA-T (Circuit 1) C1801FA-T (Circuit 2) C1801M-T (Circuit 3)</p> <p>C1801HMA-3P *Suitable Terminal: C1801MA-T (Circuit 1) C1801FA-T (Circuit 2) C1801M-T (Circuit 3)</p>	<p>C1801S-3P-**</p>

C1801 SERIES

6.20~8.90mm pitch wire to wire connector

C1801H

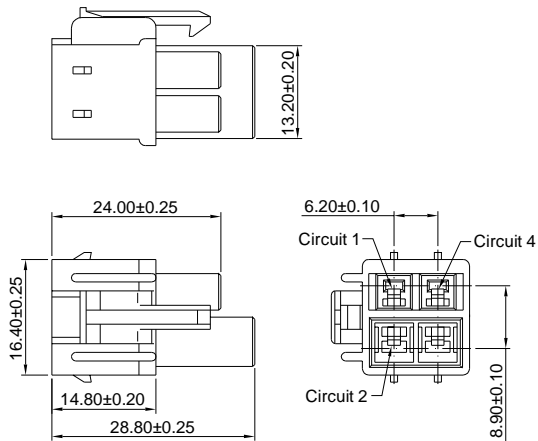
6.20/7.30/7.80/8.00/8.50/8.70/8.90mm Pitch Housing



C1801HF

C1801HF-2x2P

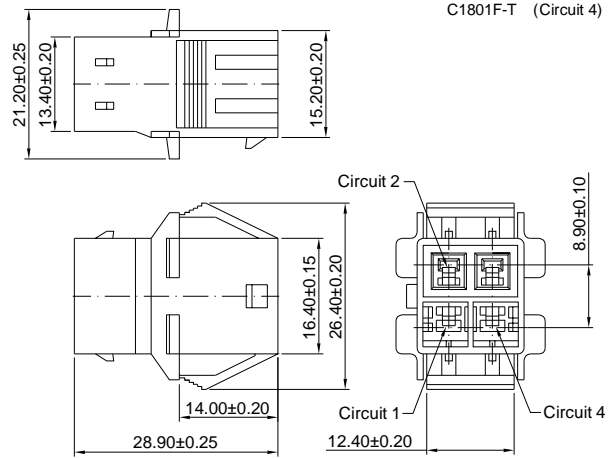
*Suitable Terminal: C1801FA-T (Circuit 1)
C1801F-T (Circuit 2)
C1801MA-T (Circuit 3)
C1801M-T (Circuit 4)



C1801HM<HMA>

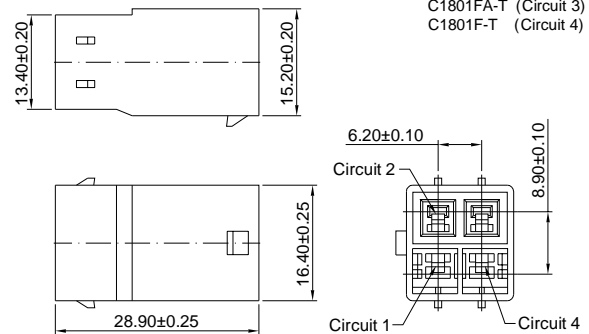
C1801HM-2x2P

*Suitable Terminal: C1801MA-T (Circuit 1)
C1801M-T (Circuit 2)
C1801FA-T (Circuit 3)
C1801F-T (Circuit 4)



C1801HMA-2x2P

*Suitable Terminal: C1801MA-T (Circuit 1)
C1801M-T (Circuit 2)
C1801FA-T (Circuit 3)
C1801F-T (Circuit 4)

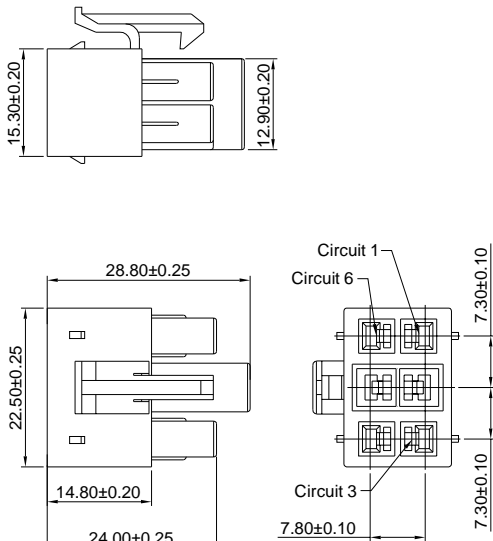
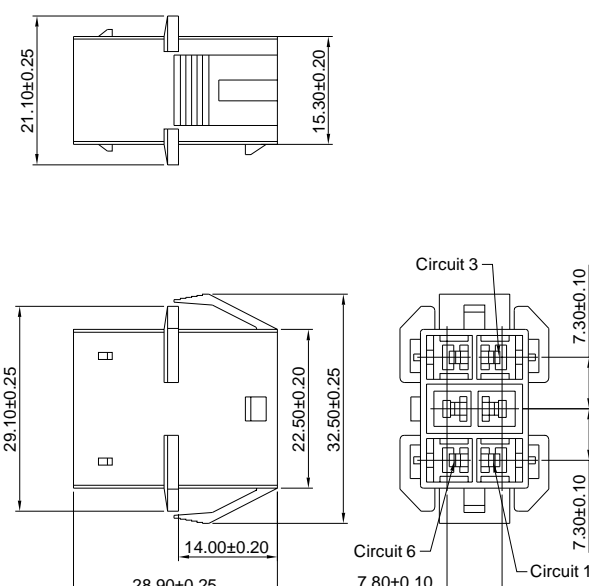
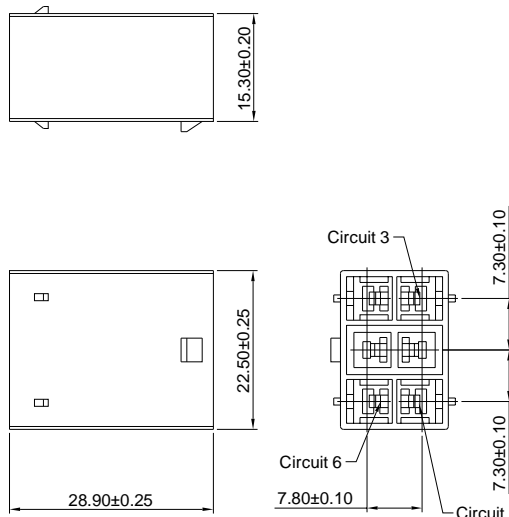


C1801 SERIES

6.20~8.90mm pitch wire to wire connector

C1801H

6.20/7.30/7.80/8.00/8.50/8.70/8.90mm Pitch Housing

C1801HF	C1801HM<HMA>
<p>C1801HF-2x3P</p> <p>*Suitable Terminal: C1801MA-T (Circuit 2.5) C1801FA-T (Circuit 3.4) C1801F-T (Circuit 1.6)</p> 	<p>C1801HM-2x3P</p> <p>*Suitable Terminal: C1801FA-T (Circuit 2.5) C1801MA-T (Circuit 3.4) C1801M-T (Circuit 1.6)</p> 
	<p>C1801HMA-2x3P</p> <p>*Suitable Terminal: C1801FA-T (Circuit 2.5) C1801MA-T (Circuit 3.4) C1801M-T (Circuit 1.6)</p> 

C1801 SERIES

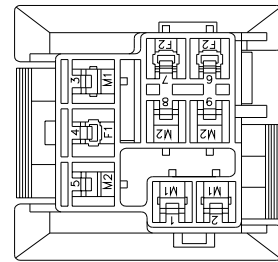
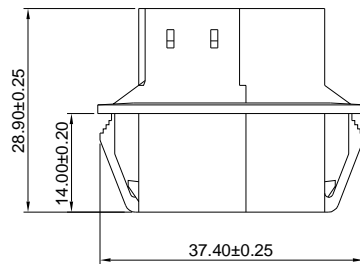
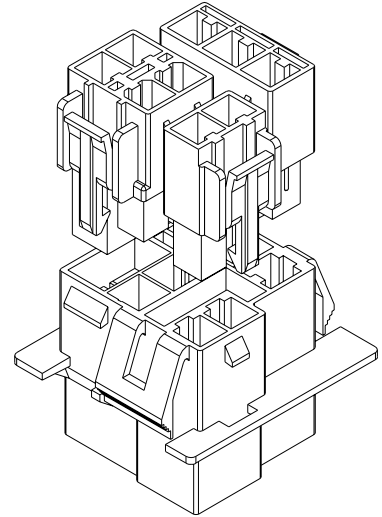
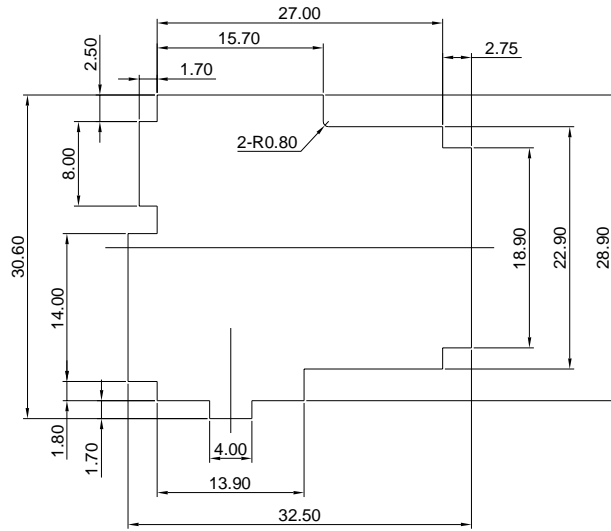
6.20~8.90mm pitch wire to wire connector

C1801H

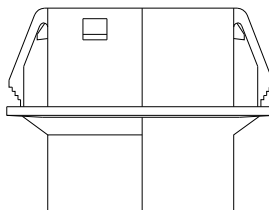
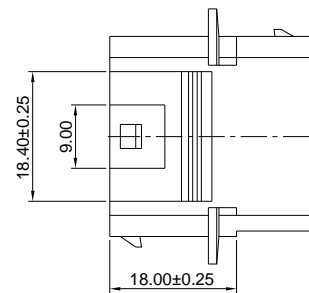
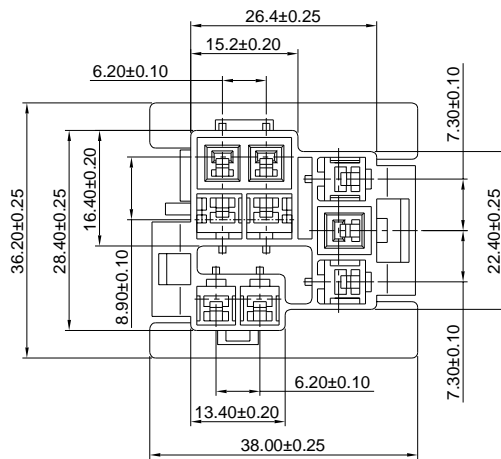
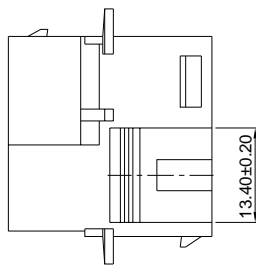
6.20/7.30/7.80/8.00/8.50/8.70/8.90mm Pitch Housing

C1801HM

C1801HM-9P



M1: MALE TERMINAL (C1801M-T)
M2: MALE TERMINAL (C1801MA-T)
F1: MALE TERMINAL (C1801F-T)



C1801 SERIES

6.20~8.90mm pitch wire to wire connector

C1801H

6.20/7.30/7.80/8.00/8.50/8.70/8.90mm Pitch Housing

C1801HFB	C1801HMB
<p>C1801HFB-2P-L *Suitable Terminal: C1801F-T</p>	<p>C1801HMB-2x2P *Suitable Terminal: C1801MA-T (Circuit 1) C1801M-T (Circuit 2) C1801FA-T (Circuit 3) C1801F-T (Circuit 4)</p>
<p>C1801HFB-2P-RH *Suitable Terminal: C1801M-T</p>	<p>C1801HMB-2x3P *Suitable Terminal: C1801FA-T (Circuit 2.5) C1801MA-T (Circuit 3.4) C1801M-T (Circuit 1.6)</p>
<p>C1801HFB-2P-R *Suitable Terminal: C1801FA-T</p>	

C1801 SERIES

6.20~8.90mm pitch wire to wire connector

C1801SA

6.20/7.30/7.80/8.00/8.50/8.70/8.90mm Pitch Retainer

Reference Informations:

*Material:Nylon 66,UL94V-0

*Suitable C1801 series Housing

Ordering Information:

C1801SA-XP - **

1 2

1.Part No.

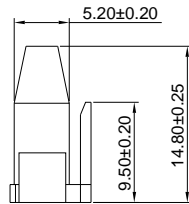
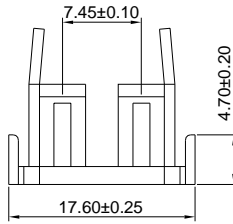
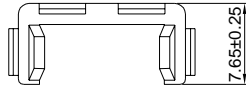
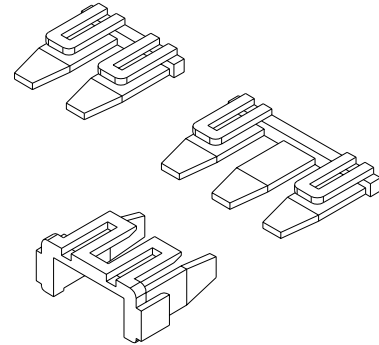
2.COLOR:

(blank):White

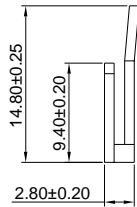
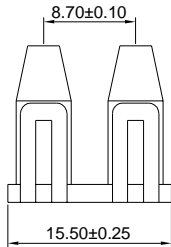
RD:Red

YL:Yellow

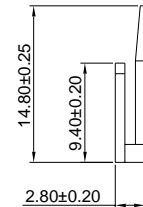
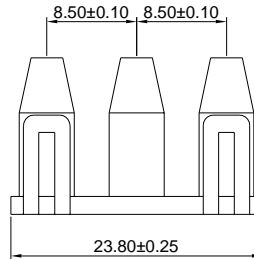
BL:Blue



C1801SA-2P-L



C1801SA-2P



C1801SA-3P

Unit:mm