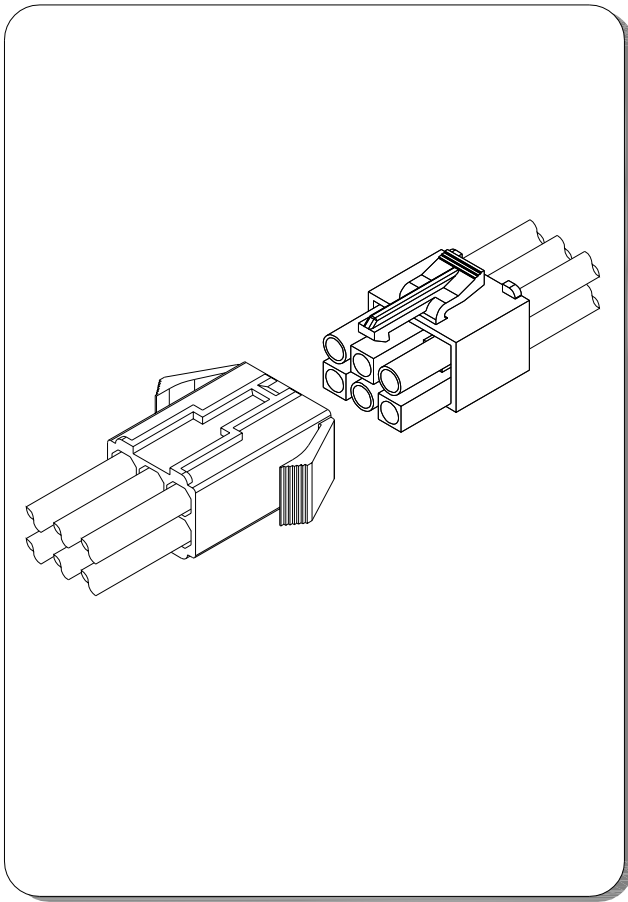


C1301 SERIES

4.50mm pitch wire to wire connector



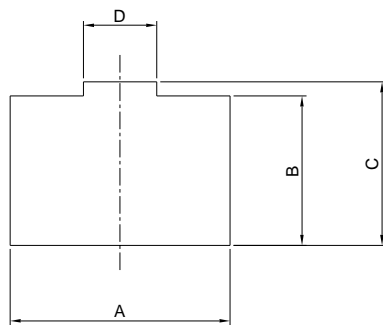
Specifications

- Current rating:10A AC,DC
- Voltage rating:300V AC,DC
- Temperature range:-40°C~+105°C
- Contact resistance:7mΩ Max.
- Insulation resistance:1000MΩ Min.
- Withstanding voltage:1500V AC/minute
- *Compliant with RoHS and REACH*
- *Meet the HF/Halogen Free,GWT/Glow wire Test (IEC60335-1) request,need to customize*
- *Contact for details*

Standards



Panel hole layout



PART NO.	Dimensions			
	A	B	C	D
C1301(A)HM-2P	15.00	6.00	6.85	5.20
C1301(A)HM-3P	19.70	6.00	6.85	5.20
C1301(A)HM-4P	24.20	6.00	6.85	5.20
C1301(A)HM-5P	15.60	10.60	11.60	5.20
C1301(A)HM-6P	19.70	10.60	11.60	5.20
C1301(A)HM-7P	19.70	14.80	15.70	5.20
C1301(A)HM-8P	24.20	14.80	15.70	5.20
C1301(A)HM-9P	28.70	14.80	15.70	5.20

Unit:mm

C1301 SERIES

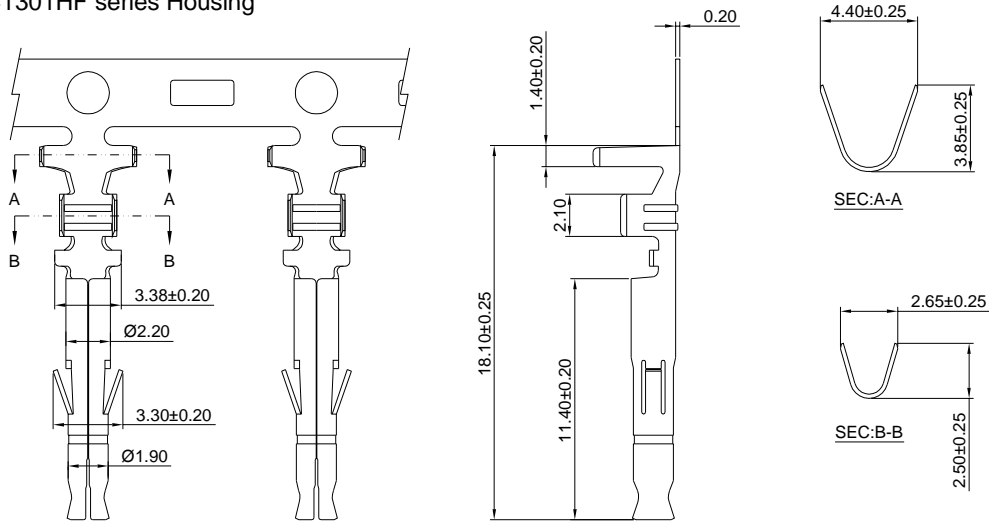
4.50mm pitch wire to wire connector

C1301F-T

4.50mm pitch Crimp Terminal

Reference Informations:

*Used in C1301HF series Housing



Ordering information & Specifications:

Unit:mm

Part NO.	Wire Range	Insulation O.D.	Material	Finish	Qty/reel
C1301F-TB	AWG#16-#20	3.40mm(max)	Brass	Tin over Nickel	3,500 PCS
C1301F-TP	AWG#16-#20	3.40mm(max)	Phosphor Bronze	Tin over Nickel	3,500 PCS
C1301F-GB	AWG#16-#20	3.40mm(max)	Brass	Gold over Nickel	3,500 PCS
C1301F-GP	AWG#16-#20	3.40mm(max)	Phosphor Bronze	Gold over Nickel	3,500 PCS

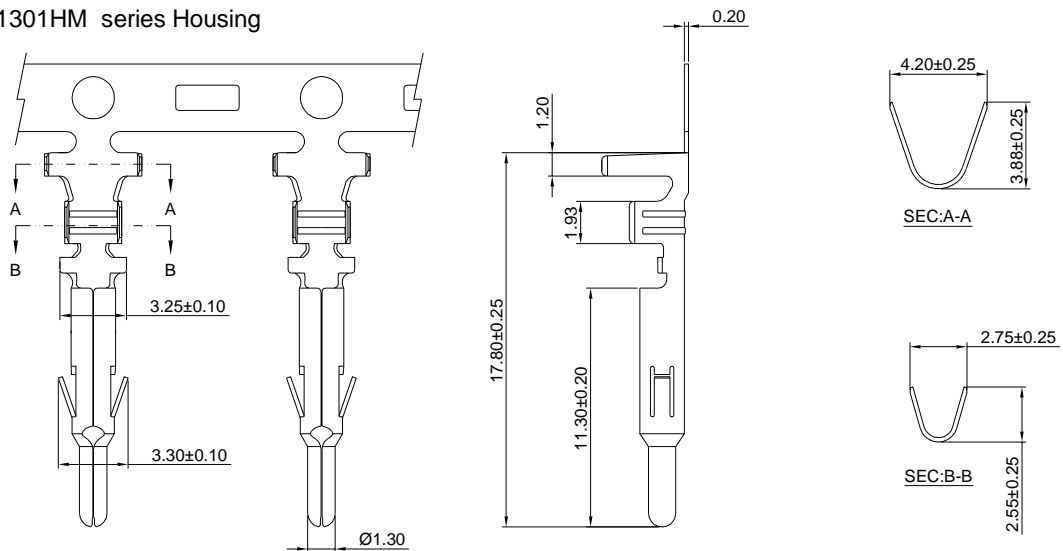
Optional Gold plating available but MOQ requested

C1301M-T

4.50mm pitch Crimp Terminal

Reference Informations:

*Used in C1301HM series Housing



Ordering information & Specifications:

Unit:mm

Part NO.	Wire Range	Insulation O.D.	Material	Finish	Qty/reel
C1301M-TB	AWG#16-#20	3.40mm(max)	Brass	Tin over Nickel	3,500 PCS
C1301M-TP	AWG#16-#20	3.40mm(max)	Phosphor Bronze	Tin over Nickel	3,500 PCS
C1301M-GB	AWG#16-#20	3.40mm(max)	Brass	Gold over Nickel	3,500 PCS
C1301M-GP	AWG#16-#20	3.40mm(max)	Phosphor Bronze	Gold over Nickel	3,500 PCS

C1301 SERIES

4.50mm pitch wire to wire connector

C1301H

4.50mm Pitch Housing

Reference Informations:

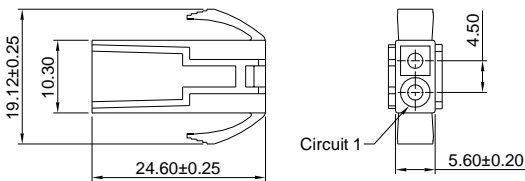
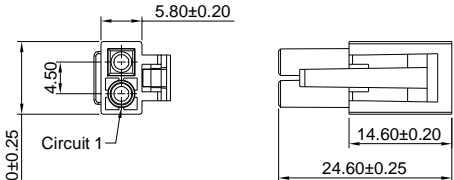
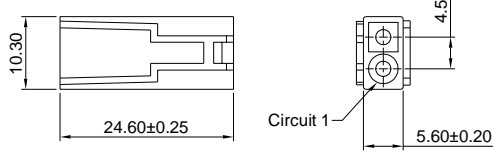
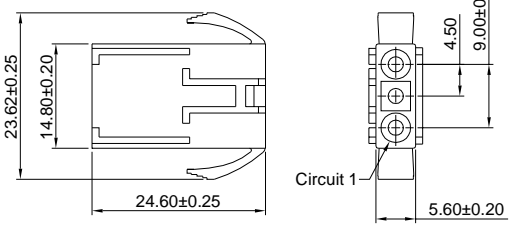
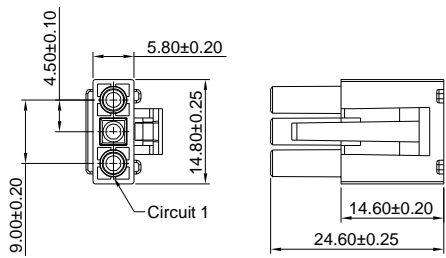
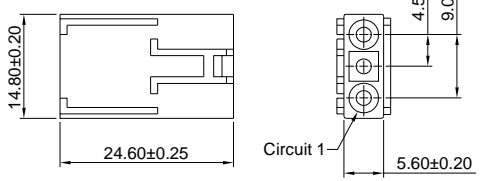
*Material: Nylon 66, UL94V-0

C1301HM (Suitable Terminal: C1301M-T)

C1301HF (Suitable Terminal: C1301F-T)

*Color: White

Unit: mm

C1301HM	C1301HF
 <p>Circuit 1</p> <p>C1301HM-2P</p>	<p>*Suitable Retainer: C1301S-2P</p>  <p>Circuit 1</p> <p>C1301HF-2P</p>
 <p>Circuit 1</p> <p>C1301HMA-2P</p>	
 <p>Circuit 1</p> <p>C1301HM-3P</p>	<p>*Suitable Retainer: C1301S-3P</p>  <p>Circuit 1</p> <p>C1301HF-3P</p>
 <p>Circuit 1</p> <p>C1301HMA-3P</p>	

C1301 SERIES

4.50mm pitch wire to wire connector

C1301H

4.50mm Pitch Housing

Reference Informations:

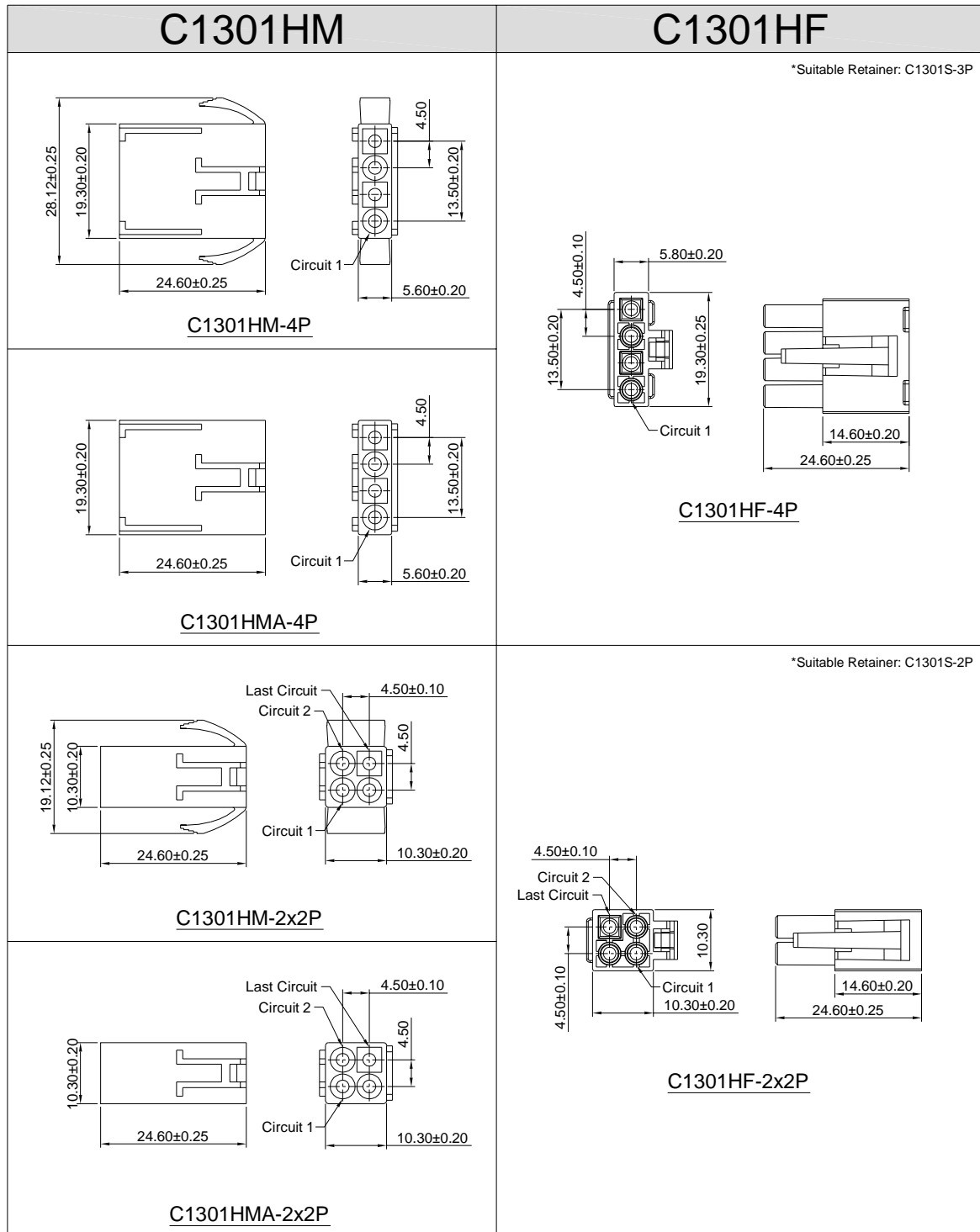
*Material: Nylon 66, UL94V-0

C1301HM (Suitable Terminal: C1301M-T)

C1301HF (Suitable Terminal: C1301F-T)

*Color: White

Unit: mm



C1301 SERIES

4.50mm pitch wire to wire connector

C1301H

4.50mm Pitch Housing

Reference Informations:

*Material: Nylon 66, UL94V-0

*Color: White

Unit: mm

C1301HM	C1301HF
<p>C1301HM-2x3P</p>	<p>*Suitable Retainer: C1301S-3P</p> <p>C1301HF-2x3P</p>
<p>C1301HM-3x3P</p>	<p>*Suitable Retainer: C1301S-3P</p> <p>C1301HF-3x3P</p>
<p>C1301HM-3x4P</p>	<p>*Suitable Retainer: C1301S-3P</p> <p>C1301HF-3x4P</p>
<p>C1301HM-3x5P</p>	<p>*Suitable Retainer: C1301S-3P</p> <p>C1301HF-3x5P</p>

C1301 SERIES

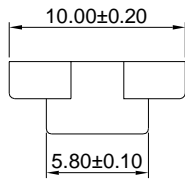
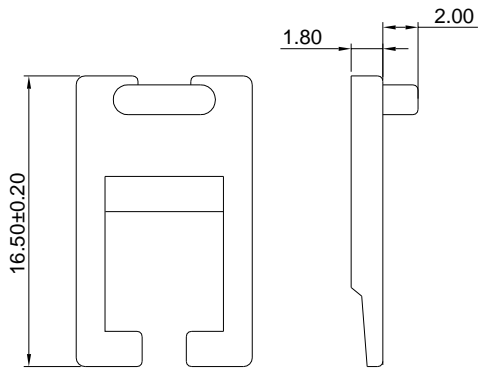
4.50mm pitch wire to wire connector

C1301S

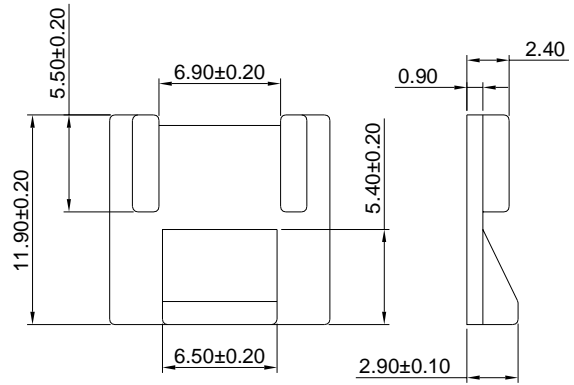
4.50mm pitch Retainer

Reference Informations:

*Used in C1301HF Housing



C1301S-2P



C1301S-3P

Unit: mm

C1301 SERIES

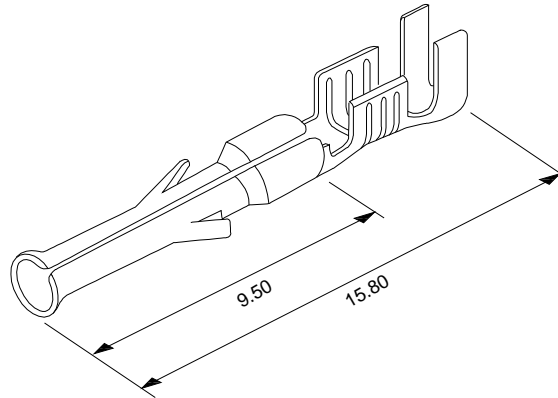
4.50mm pitch wire to wire connector

C1301AF-T

4.50mm pitch Crimp Terminal

Reference Informations:

*Used in C1301AHF series Housing



Ordering information & Specifications:

Unit:mm

Part NO	Wire Range	Insulation O.D.	Material	Finish	Qty/reel
C1301AF-TP	AWG#16-#20	3.40mm(max)	Phosphor Bronze	Tin over Nickel	3,500 PCS
C1301AF-GP	AWG#16-#20	3.40mm(max)	Phosphor Bronze	Gold over Nickel	3,500 PCS

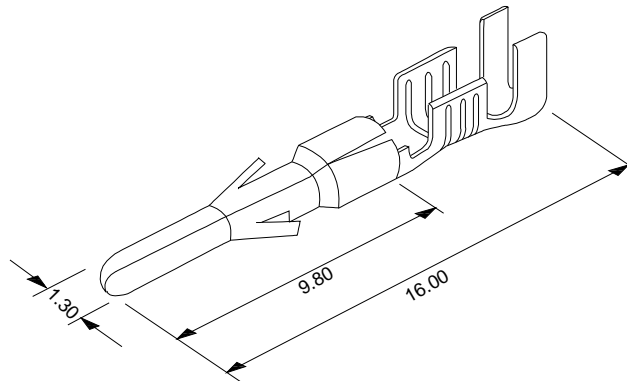
Optional Gold plating available but MOQ requested

C1301AM-T

4.50mm pitch Crimp Terminal

Reference Informations:

*Used in CJT C1301AHM,C1301AHMA series Housing



Ordering information & Specifications:

Unit:mm

Part NO	Wire Range	Insulation O.D.	Material	Finish	Qty/reel
C1301AM-TP	AWG#16-#20	3.40mm(max)	Phosphor Bronze	Tin over Nickel	3,500 PCS
C1301AM-GP	AWG#16-#20	3.40mm(max)	Phosphor Bronze	Gold over Nickel	3,500 PCS

C1301 SERIES

4.50mm pitch wire to wire connector

C1301H

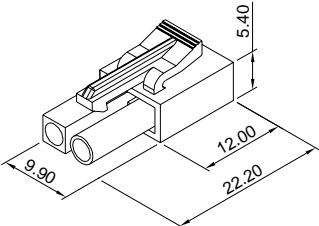
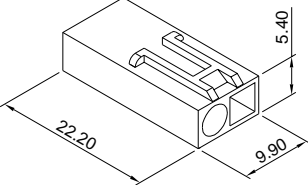
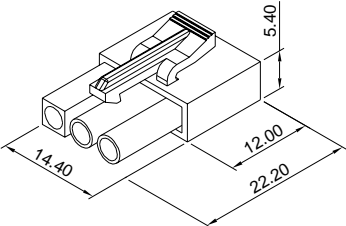
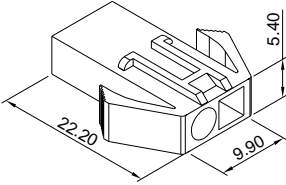
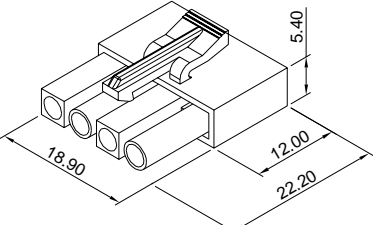
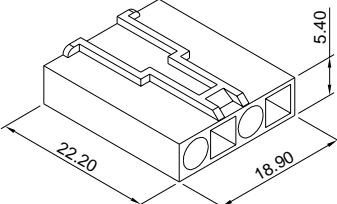
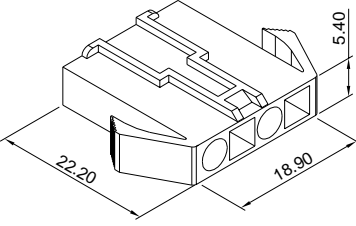
4.50mm Pitch Housing

Reference Informations:

*Material:Nylon 66,UL94V-0

*Color:Light green

Unit: mm

C1301AHF	C1301AHM
 <p data-bbox="416 907 582 936"><u>C1301AHM-2P</u></p>	 <p data-bbox="994 779 1176 808"><u>C1301AHMA-2P</u></p>
 <p data-bbox="419 1314 582 1344"><u>C1301AHF-3P</u></p>	 <p data-bbox="1002 1014 1168 1043"><u>C1301AHM-2P</u></p>
 <p data-bbox="419 1787 582 1816"><u>C1301AHF-4P</u></p>	 <p data-bbox="994 1628 1176 1657"><u>C1301AHMA-4P</u></p>
	 <p data-bbox="1002 1944 1168 1973"><u>C1301AHM-4P</u></p>

C1301 SERIES

4.50mm pitch wire to wire connector

C1301H

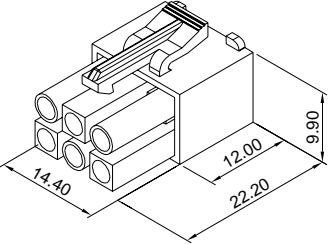
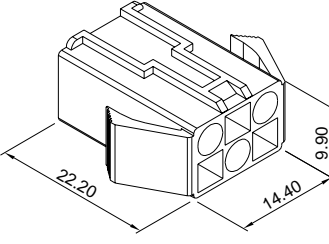
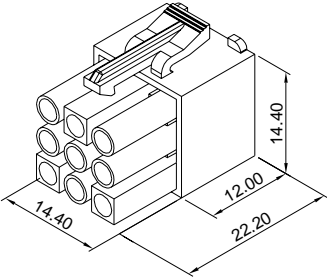
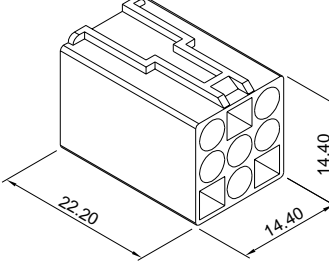
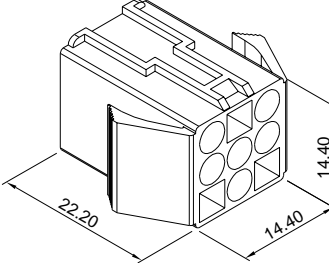
4.50mm Pitch Housing

Reference Informations:

*Material:Nylon 66,UL94V-2

*Color:Light green

Unit: mm

C1301AHF	C1301AHM
 <p data-bbox="406 891 593 920"><u>C1301AHF-2x3P</u></p>	 <p data-bbox="991 891 1177 920"><u>C1301AHM-2x3P</u></p>
 <p data-bbox="406 1480 593 1509"><u>C1301AHF-3x3P</u></p>	 <p data-bbox="979 1283 1189 1312"><u>C1301AHMA-3x3P</u></p>
	 <p data-bbox="986 1720 1182 1749"><u>C1301AHM-3x3P</u></p>

C1301 SERIES

4.50mm pitch wire to wire connector

C1301H

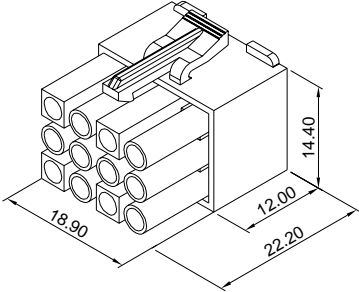
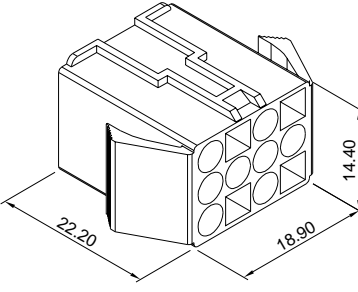
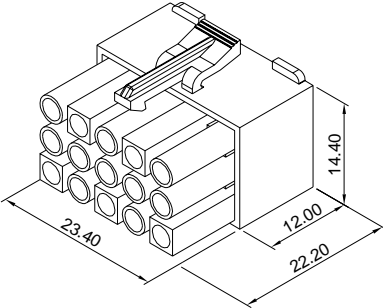
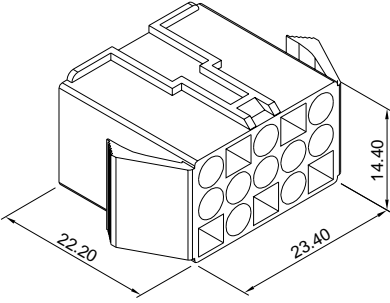
4.50mm Pitch Housing

Reference Informations:

*Material:Nylon 66,UL94V-2

*Color:Light green

Unit: mm

C1301AHF	C1301AHM
 <p data-bbox="405 972 595 1003"><u>C1301AHF-3x4P</u></p>	 <p data-bbox="987 972 1177 1003"><u>C1301AHM-3x4P</u></p>
 <p data-bbox="405 1451 595 1482"><u>C1301AHF-3x5P</u></p>	 <p data-bbox="987 1451 1177 1482"><u>C1301AHM-3x5P</u></p>