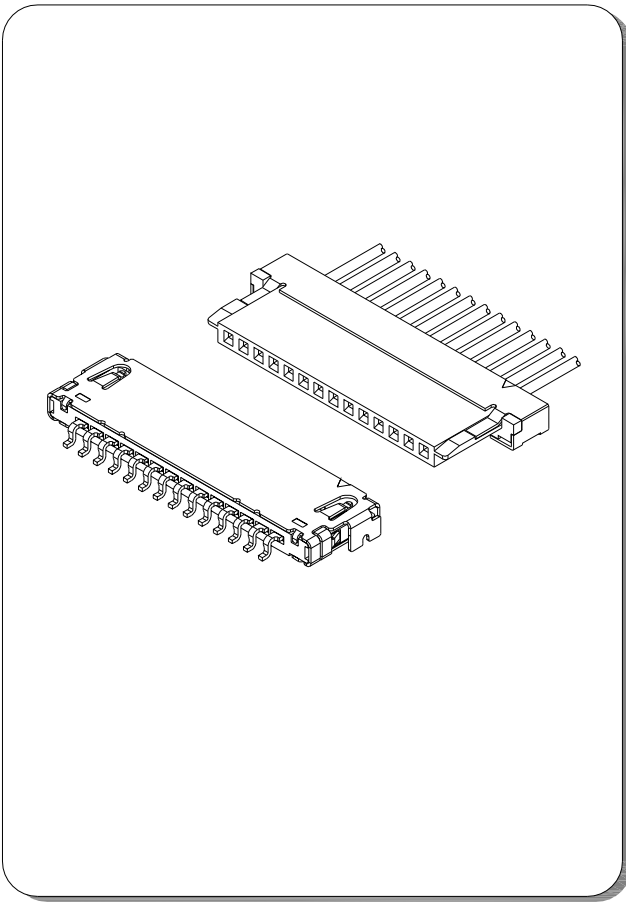


A1004 SERIES

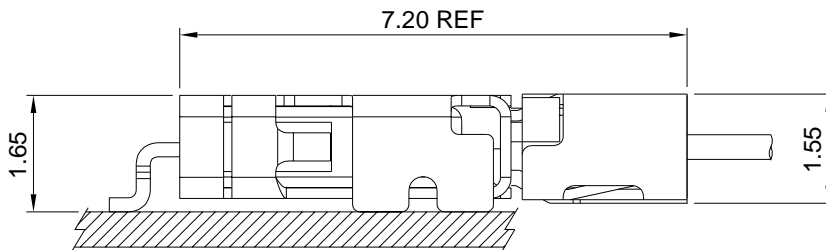
1.00mm pitch wire to board connector



Specifications

- Current rating:1A AC,DC
- Voltage rating:100V AC,DC
- Temperature range:-40°C~+105°C
- Contact resistance:30mΩMax.
- Insulation resistance:500MΩMin.
- Withstanding voltage:500V AC/minute
- *Compliant with RoHS and REACH*
- *Meet the HF/Halogen Free,need to customize*
- *Contact for details*

Assembly layout



A1004 SERIES

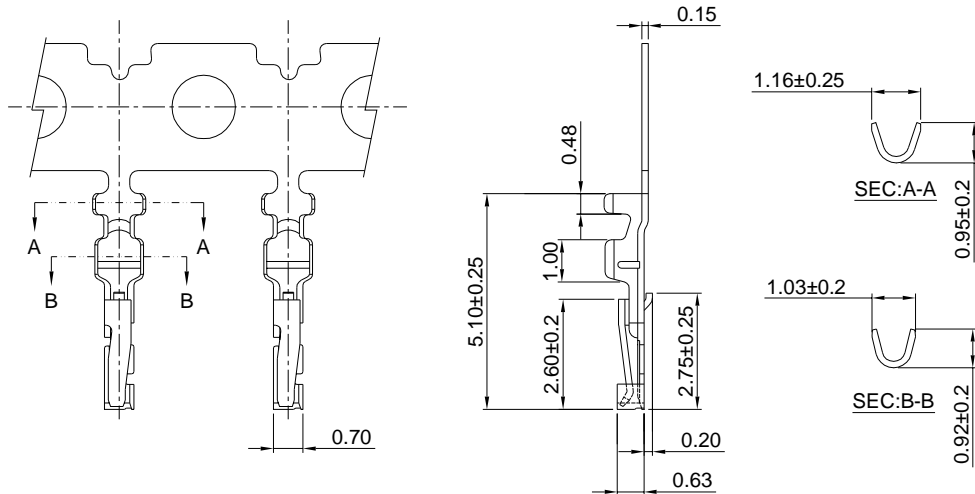
1.00mm pitch wire to board connector

A1004-T

1.00mm pitch Crimp Terminal

Reference Informations:

*Used in A1004 series Housing



Ordering information & Specifications:

Unit:mm

Part NO.	Wire Range	Insulation O.D.	Material	Finish	Qty/reel
A1004-GP	AWG#28-#32	0.60mm(max)	Phosphor Bronze	Gold over Nickel	15,000 PCS

A1004H

1.00mm pitch Housing

Reference Informations:

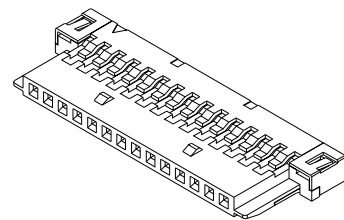
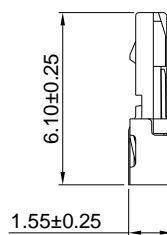
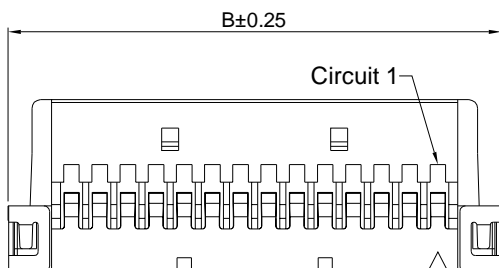
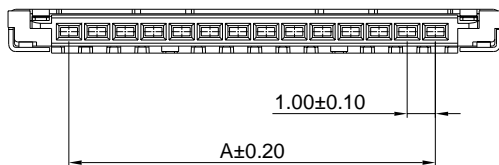
*Material: Insulator:Nylon 66,UL94V-0

Shell:Phosphor Bronze/Tin over Nickel

*Suitable A1004 series Terminal

*Mates with A1004 series Wafer

*Color:Ivory



Ordering Information & Dimensions:

PART NO.	Dimensions	
	A	B
A1004H-8P	7.00	11.50
A1004H-14P	13.00	17.50
A1004H-20P	19.00	23.50
A1004H-30P	29.00	33.50

Unit: mm

A1004 SERIES

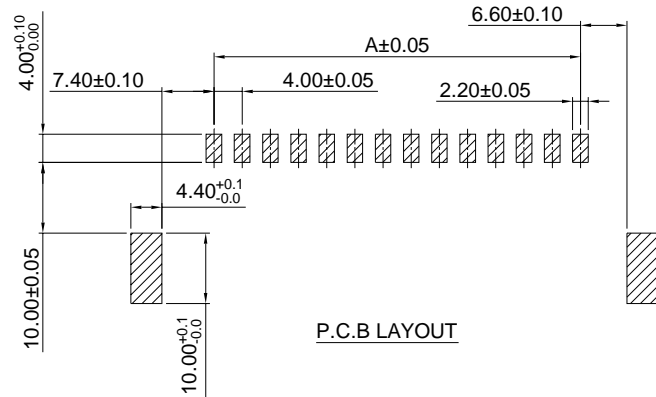
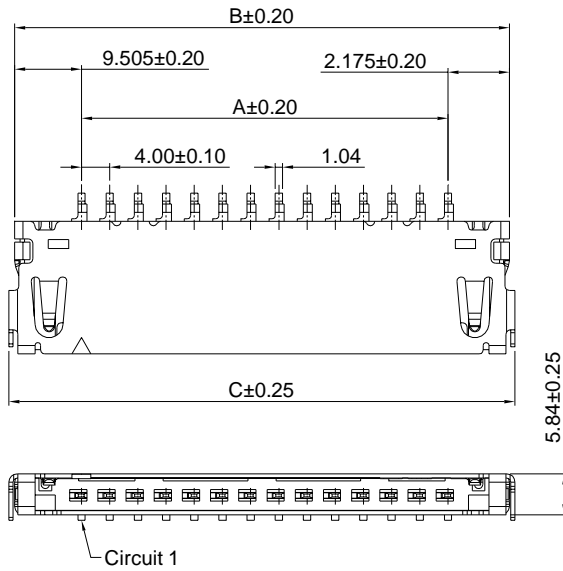
1.00mm pitch wire to board connector

A1004WR-S

1.00mm pitch 90° Wafer-SMT TYPE

Reference Informations:

- *Material:Pin:Phosphor Bronze/Gold over Nickel
Shell:Phosphor Bronze/Tin over Nickel
Insulator:Nylon 6T,UL94V-0
- *Mates with A1004 series Housing
- *Color:Ivory



Ordering Information & Dimensions:

PART NO.	Dimensions	
	A	B
A1004WR-S-8P	7.00	11.50
A1004WR-S-14P	13.00	17.50
A1004WR-S-20P	19.00	23.50
A1004WR-S-30P	29.00	33.50

Unit: mm