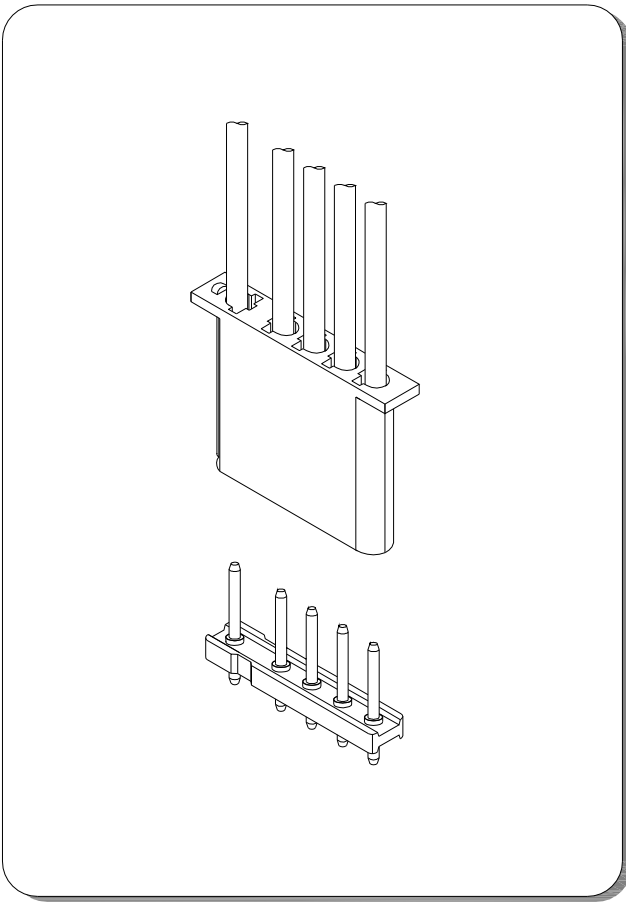


A1562 SERIES

7.50-5.00mm pitch wire to board connector



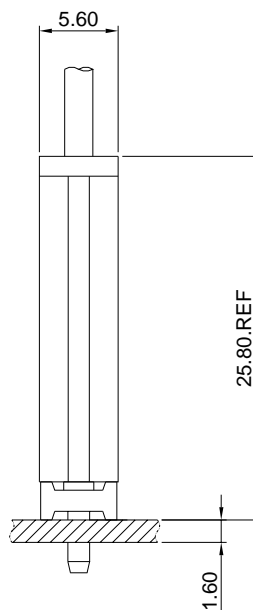
Specifications

- Current rating:7A AC,DC
- Voltage rating:250V AC,DC
- Temperature range:-40°C~+105°C
- Contact resistance:10mΩMax.
- Insulation resistance:1000MΩMin.
- Withstanding voltage:1500V AC/minute
- *Compliant with RoHS and REACH*
- *Meet the HF/Halogen Free,need to customize*
- *Contact for details*

Standards



Assembly layout



A1562 SERIES

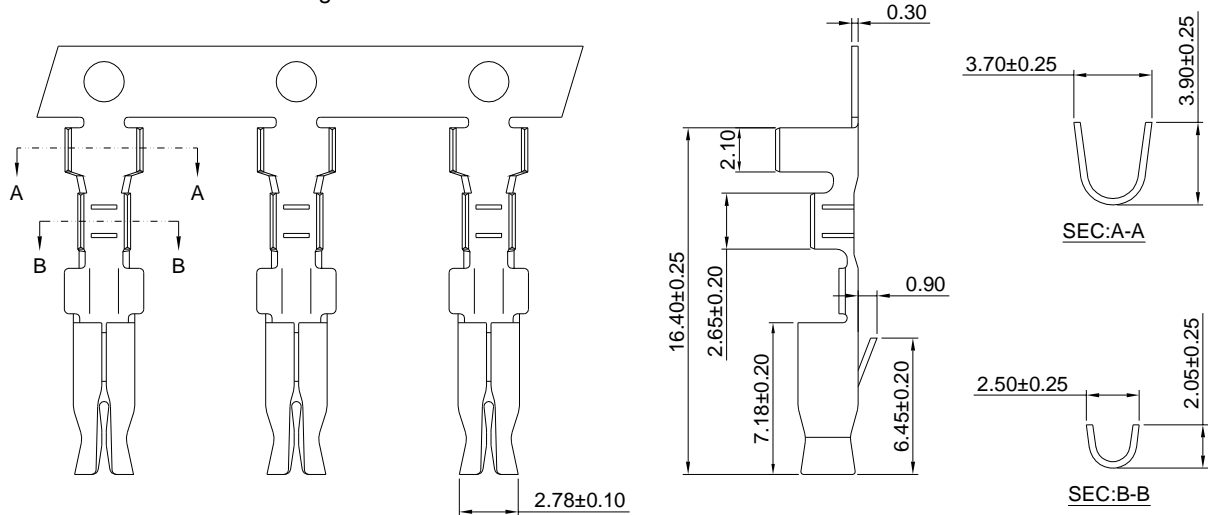
7.50-5.00mm pitch wire to board connector

A1562-T

7.50-5.00mm pitch Crimp Terminal

Reference Informations:

* Used in A1562 series Housing



Ordering information & Specifications:

Unit:mm

Part NO.	Wire Range	Insulation O.D.	Material	Finish	Qty/reel
A1562-TB	AWG#18-#24	2.70mm(max)	Brass	Tin over Nickel	6,000 PCS
A1562-TP	AWG#18-#24	2.70mm(max)	Phosphor Bronze	Tin over Nickel	6,000 PCS
A1562-GB	AWG#18-#24	2.70mm(max)	Brass	Gold over Nickel	6,000 PCS
A1562-GP	AWG#18-#24	2.70mm(max)	Phosphor Bronze	Gold over Nickel	6,000 PCS

Optional Gold plating available but MOQ requested

A1562H

7.50-5.00mm pitch Housing

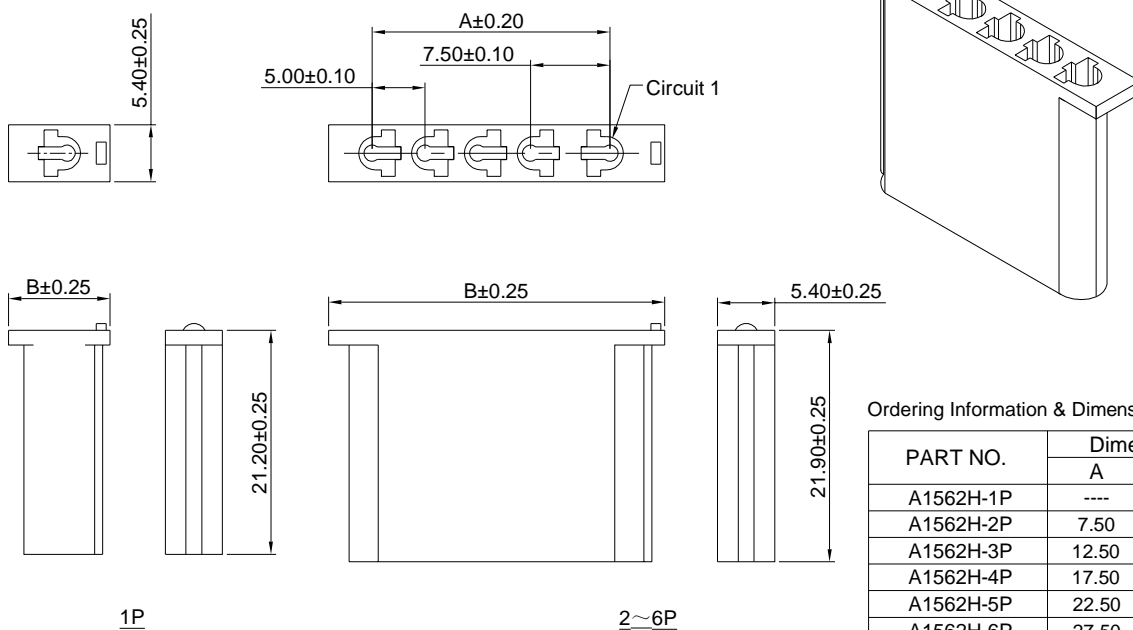
Reference Informations:

*Material:Nylon 66,UL94V-0

*Suitable A1562 series Terminal

*Mates with A1562 series Wafer

*Color:White



Ordering Information & Dimensions

PART NO.	Dimensions	
	A	B
A1562H-1P	----	9.60
A1562H-2P	7.50	16.00
A1562H-3P	12.50	21.80
A1562H-4P	17.50	26.80
A1562H-5P	22.50	31.80
A1562H-6P	27.50	36.80

Unit: mm

A1562 SERIES

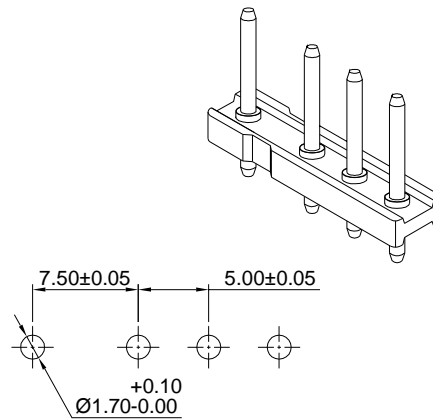
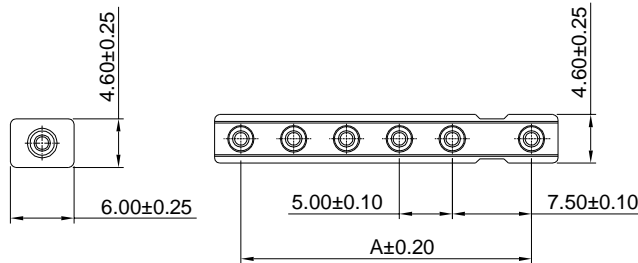
7.50-5.00mm pitch wire to board connector

A1562WV

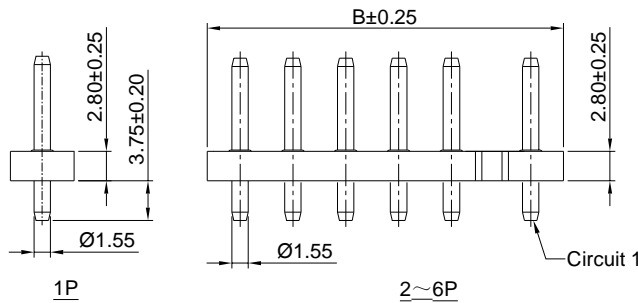
7.50-5.00mm pitch 180° Wafer

Reference Informations:

- *Material:Pin:Brass/Tin over Nickel
Insulator:Nylon 66,UL94V-0
- *Mates with JSV A1562 series Housing
- *Color:White



P.C.B LAYOUT



Ordering Information & Dimensions

PART NO.	Dimensions	
	A	B
A1562WV-1P	-----	6.00
A1562WV-2P	7.50	12.60
A1562WV-3P	12.50	17.60
A1562WV-4P	17.50	22.60
A1562WV-5P	22.50	27.60
A1562WV-6P	27.50	32.60

Unit: mm