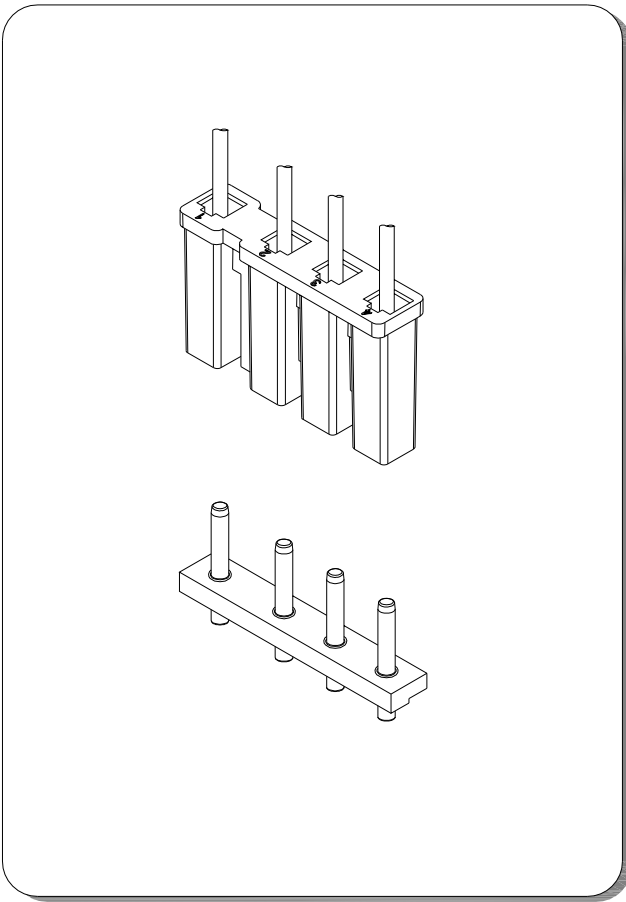


A2361 SERIES

10.00-8.00mm pitch wire to board connector



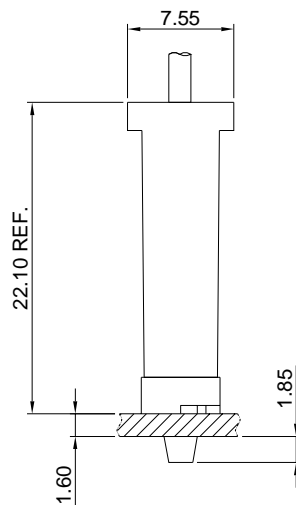
Specifications

- Current rating:7A AC,DC
- Voltage rating:250V AC,DC
- Temperature range:-40°C~+105°C
- Contact resistance:10mΩMax.
- Insulation resistance:1000MΩMin.
- Withstanding voltage:1500V AC/minute
- *Compliant with RoHS and REACH*
- *Meet the HF/Halogen Free,GWT/Glow wire Test (IEC60335-1) request,need to customize*
- *Contact for details*

Standards



Assembly layout



A2361 SERIES

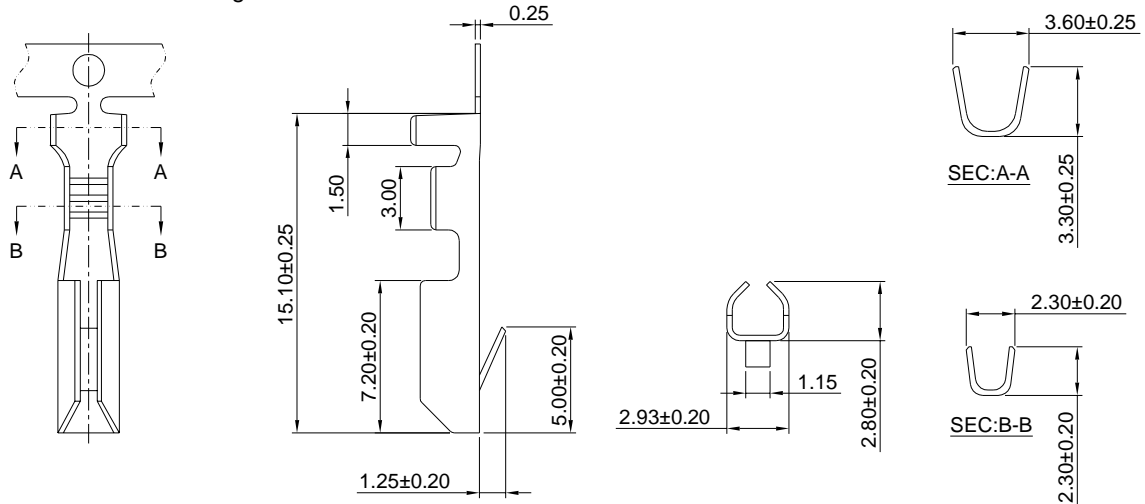
10.00-8.00mm pitch wire to board connector

A2361-T

10.00-8.00mm pitch Crimp Terminal

Reference Informations:

*Used in A2361 series Housing



Ordering information & Specifications:

Unit:mm

Part NO.	Wire Range	Insulation O.D.	Material	Finish	Qty/reel
A2361-TB	AWG#18-#22	2.90mm(max)	Brass	Tin over Nickel	6,000 PCS
A2361-TP	AWG#18-#22	2.90mm(max)	Phosphor Bronze	Tin over Nickel	6,000 PCS
A2361-GB	AWG#18-#22	2.90mm(max)	Brass	Gold over Nickel	6,000 PCS
A2361-GP	AWG#18-#22	2.90mm(max)	Phosphor Bronze	Gold over Nickel	6,000 PCS

Optional Gold plating available but MOQ requested

A2361H

10.00-8.00mm pitch Housing

Reference Informations:

*Material:Nylon 66,UL94V-0

*Suitable A2361 series Terminal

*Mates with A2361 series Wafer

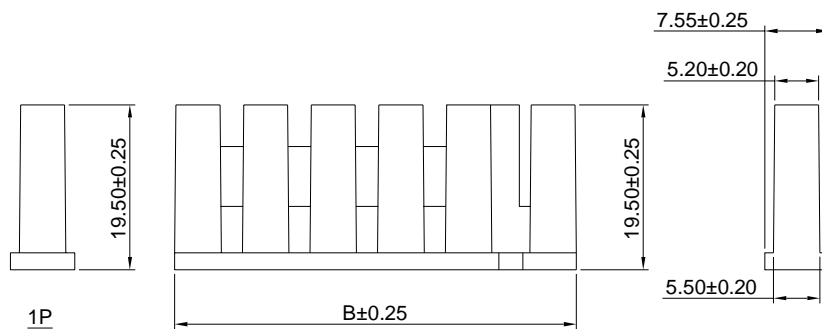
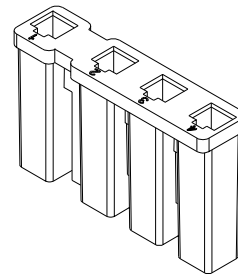
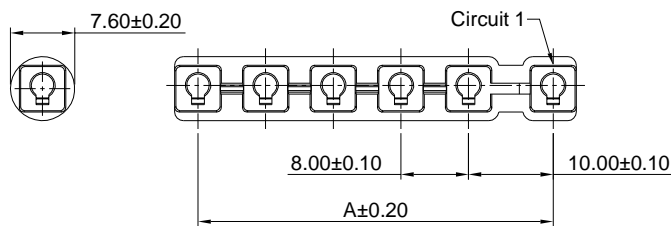
*Color:Gray

Ordering Information:

A2361H-XP - **

1.Part No.

2.Color:
(bank):Gray
BK:Black



Ordering Information & Dimensions:

PART NO.	Dimensions	
	A	B
A2361H-1P	-----	7.60
A2361H-2P	10.00	15.60
A2361H-3P	18.00	23.60
A2361H-4P	26.00	31.60
A2361H-5P	34.00	39.60
A2361H-6P	42.00	47.60

Unit: mm

A2361 SERIES

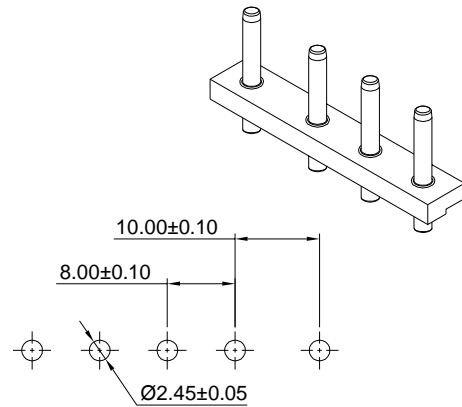
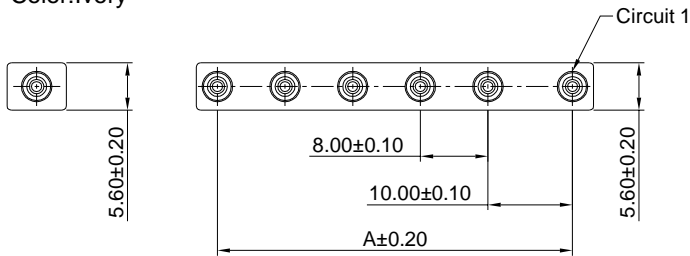
10.00-8.00mm pitch wire to board connector

A2361WV

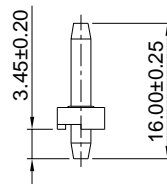
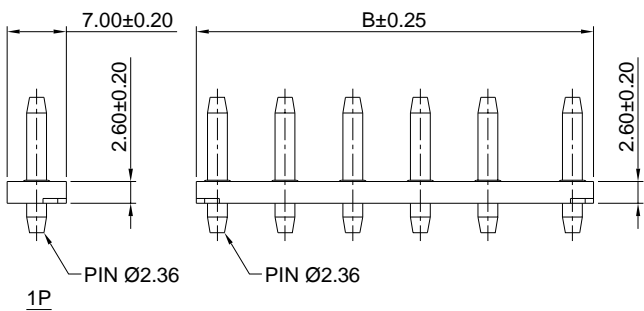
10.00-8.00mm pitch 180° Wafer

Reference Informations:

- *Material: Pin: Brass/Tin over Nickel
Insulator: Nylon 66, UL94V-0
- *Mates with A2361 series Housing
- *Color: Ivory



P.C.B LAYOUT



Ordering Information & Dimensions:

PART NO.	Dimensions	
	A	B
A2361WV-1P	-----	7.00
A2361WV-2P	10.00	15.00
A2361WV-3P	18.00	23.00
A2361WV-4P	26.00	31.00
A2361WV-5P	34.00	39.00
A2361WV-6P	42.00	47.00

Unit: mm