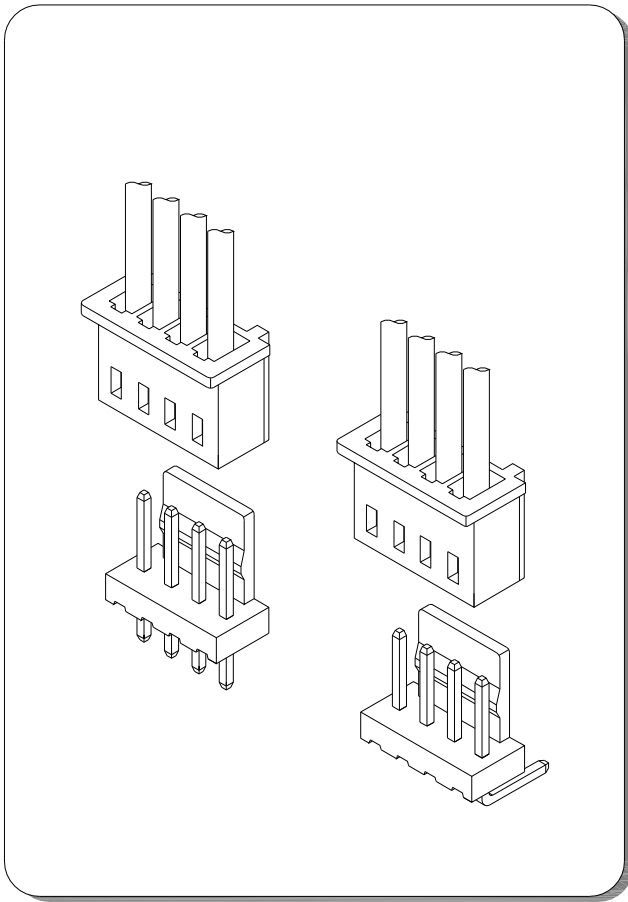


# A2503 SERIES

2.50mm pitch wire to board connector



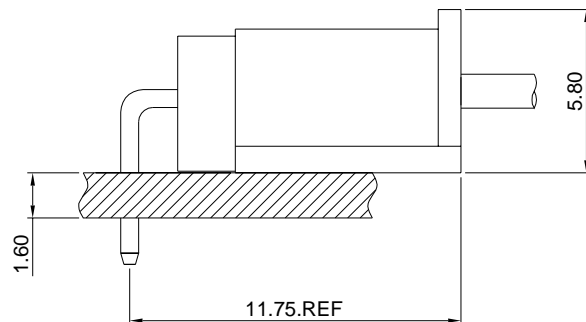
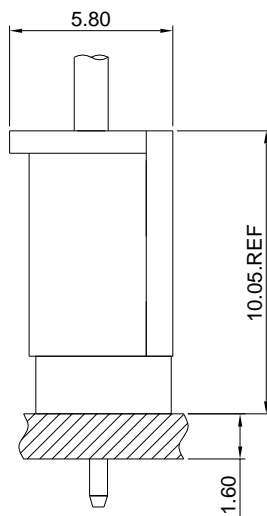
## Specifications

Current rating:3A AC,DC  
Voltage rating:250V AC,DC  
Temperature range:-40°C~+105°C  
Contact resistance:10mΩMax.  
Insulation resistance:1000MΩMin.  
Withstanding voltage:800V AC/minute  
\*Compliant with RoHS and REACH\*  
\*Meet the HF/Halogen Free,need to customize\*  
\*Contact for details\*

## Standards



## Assembly layout



# A2503 SERIES

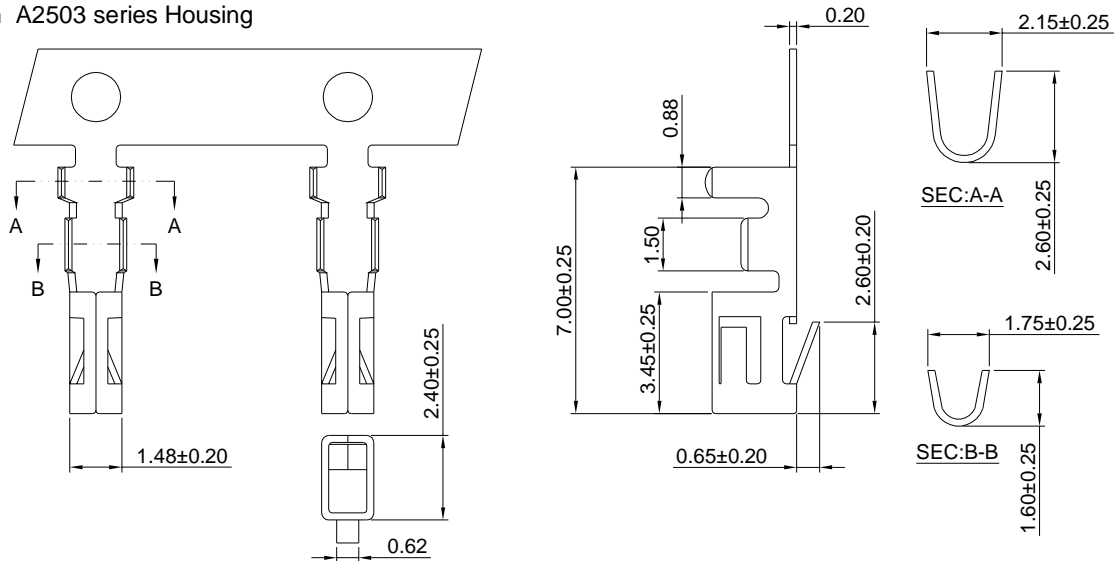
2.50mm pitch wire to board connector

## A2503-T

2.50mm pitch Crimp Terminal

### Reference Informations:

\*Used in A2503 series Housing



Ordering information & Specifications:

Unit:mm

Part NO.	Wire Range	Insulation O.D.	Material	Finish	Qty/reel
A2503-TB	AWG#22-#28	1.75mm(max)	Brass	Tin over Nickel	8,000 PCS
A2503-TP	AWG#22-#28	1.75mm(max)	Phosphor Bronze	Tin over Nickel	8,000 PCS
A2503-GB	AWG#22-#28	1.75mm(max)	Brass	Gold over Nickel	8,000 PCS
A2503-GP	AWG#22-#28	1.75mm(max)	Phosphor Bronze	Gold over Nickel	8,000 PCS

Optional Gold plating available but MOQ requested

## A2503H

2.50mm pitch Housing

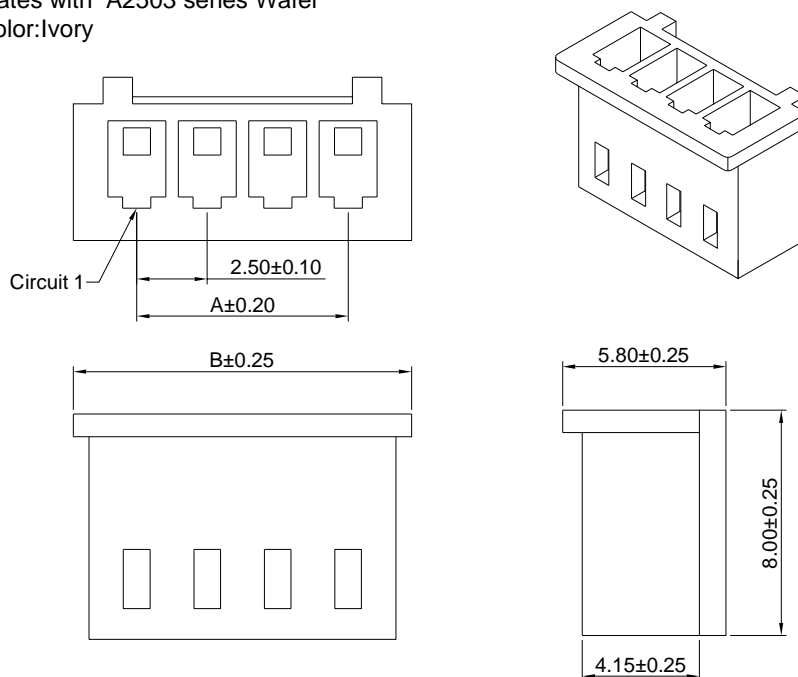
### Reference Informations:

\*Material:Nylon 66,UL94V-0

\*Suitable A2503 series Terminal

\*Mates with A2503 series Wafer

\*Color:Ivory



Ordering Information & Dimensions

PART NO.	Dimensions	
	A	B
A2503H-2P	2.50	7.00
A2503H-3P	5.00	9.50
A2503H-4P	7.50	12.00
A2503H-5P	10.00	14.50
A2503H-6P	12.50	17.00
A2503H-7P	15.00	19.50
A2503H-8P	17.50	22.00
A2503H-9P	20.00	24.50
A2503H-10P	22.50	27.00
A2503H-11P	25.00	29.50
A2503H-12P	27.50	32.00
A2503H-13P	30.00	34.50
A2503H-14P	32.50	37.00
A2503H-15P	35.00	39.50
A2503H-16P	37.50	42.00
A2503H-17P	40.00	44.50
A2503H-18P	42.50	47.00
A2503H-19P	45.00	49.50
A2503H-20P	47.50	52.00

Unit: mm

# A2503 SERIES

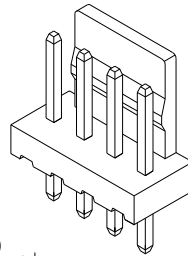
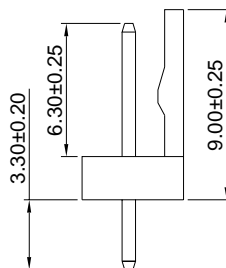
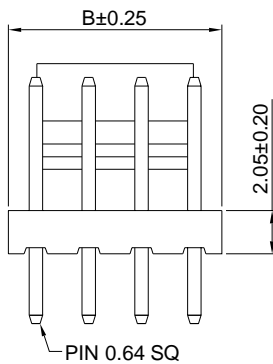
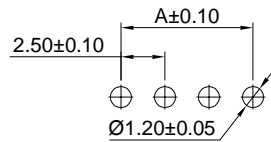
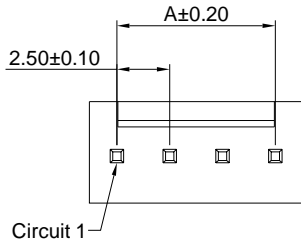
2.50mm pitch wire to board connector

## A2503WV

2.50mm pitch 180° Wafer

### Reference Informations:

- \*Material:Pin:Brass/Tin over Nickel  
Insulator:Nylon 66,UL94V-0
- \*Mates with A2503 series Housing
- \*Color:Ivory



### Ordering Information & Dimensions

PART NO.	Dimensions	
	A	B
A2503WV-2P	2.50	5.00
A2503WV-3P	5.00	7.50
A2503WV-4P	7.50	10.00
A2503WV-5P	10.00	12.50
A2503WV-6P	12.50	15.00
A2503WV-7P	15.00	17.50
A2503WV-8P	17.50	20.00
A2503WV-9P	20.00	22.50
A2503WV-10P	22.50	25.00
A2503WV-11P	25.00	27.50
A2503WV-12P	27.50	30.00
A2503WV-13P	30.00	32.50
A2503WV-14P	32.50	35.00
A2503WV-15P	35.00	37.50
A2503WV-16P	37.50	40.00
A2503WV-17P	40.00	42.50
A2503WV-18P	42.50	45.00
A2503WV-19P	45.00	47.50
A2503WV-20P	47.50	50.00

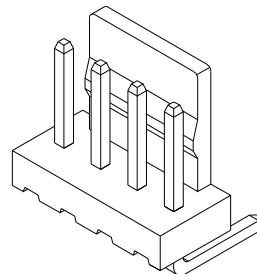
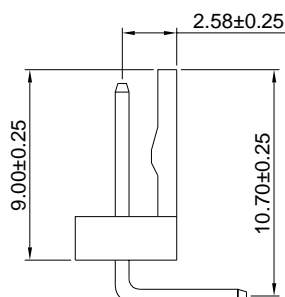
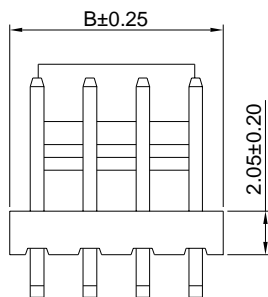
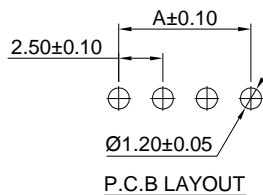
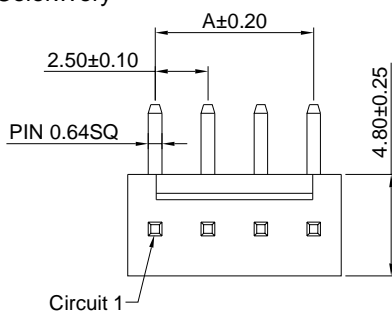
Unit: mm

## A2503WR

2.50mm pitch 90° Wafer

### Reference Informations:

- \*Material:Pin:Brass/Tin over Nickel  
Insulator:Nylon 66,UL94V-0
- \*Mates with A2503 series Housing
- \*Color:Ivory



### Ordering Information & Dimensions

PART NO.	Dimensions	
	A	B
A2503WR-2P	2.50	5.00
A2503WR-3P	5.00	7.50
A2503WR-4P	7.50	10.00
A2503WR-5P	10.00	12.50
A2503WR-6P	12.50	15.00
A2503WR-7P	15.00	17.50
A2503WR-8P	17.50	20.00
A2503WR-9P	20.00	22.50
A2503WR-10P	22.50	25.00
A2503WR-11P	25.00	27.50
A2503WR-12P	27.50	30.00
A2503WR-13P	30.00	32.50
A2503WR-14P	32.50	35.00
A2503WR-15P	35.00	37.50
A2503WR-16P	37.50	40.00
A2503WR-17P	40.00	42.50
A2503WR-18P	42.50	45.00
A2503WR-19P	45.00	47.50
A2503WR-20P	47.50	50.00

Unit: mm