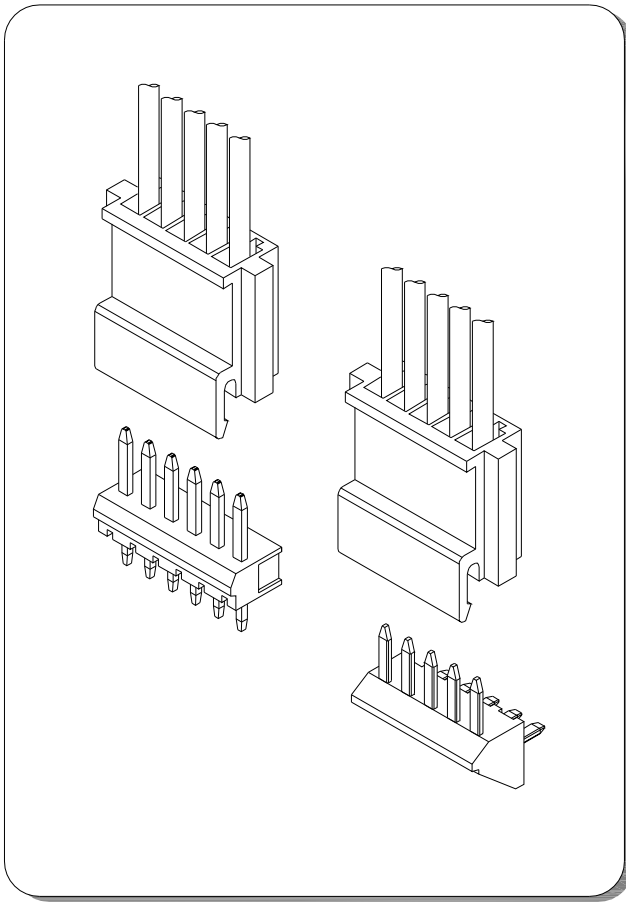


# A2504 SERIES

2.50mm pitch wire to board connector



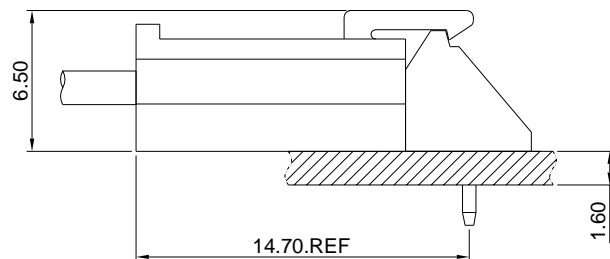
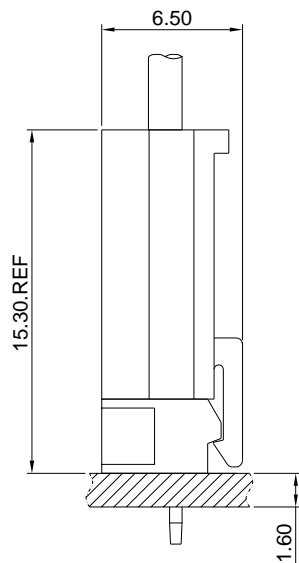
## Specifications

- Current rating: 3A AC, DC
- Voltage rating: 250V AC, DC
- Temperature range: -40°C ~ +105°C
- Contact resistance: 15mΩ Max.
- Insulation resistance: 1000MΩ Min.
- Withstanding voltage: 1000V AC/minute
- \*Compliant with RoHS and REACH\*
- \*Meet the HF/Halogen Free, need to customize\*
- \*Contact for details\*

## Standards



## Assembly layout



# A2504 SERIES

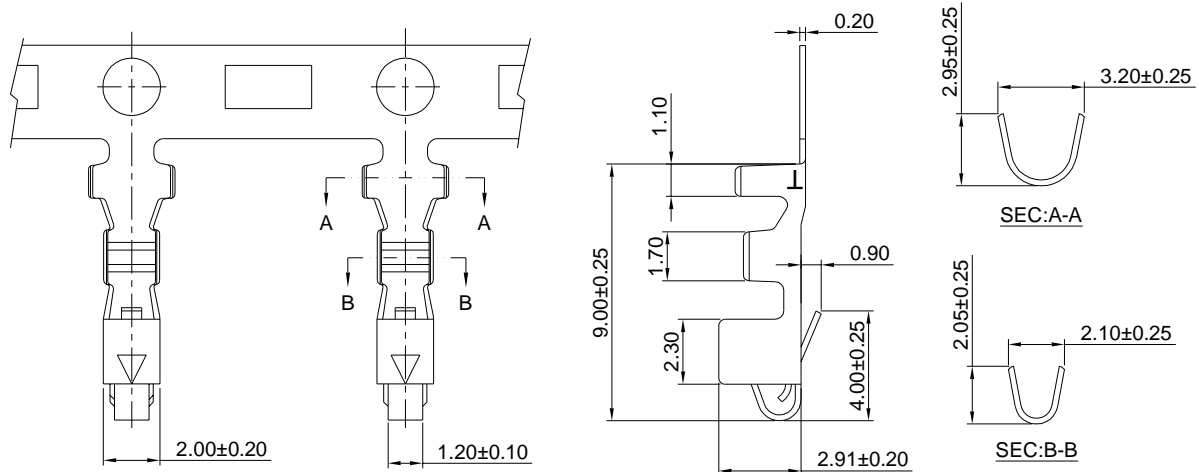
2.50mm pitch wire to board connector

## A2504-T

2.50mm pitch Crimp Terminal

### Reference Informations:

\*Used in A2504 series Housing



### Ordering information & Specifications:

Unit:mm

Part NO.	Wire Range	Insulation O.D.	Material	Finish	Qty/reel
A2504-TB	AWG#22-#28	1.80mm(max)	Brass	Tin over Nickel	7,000 PCS
A2504-TP	AWG#22-#28	1.80mm(max)	Phosphor Bronze	Tin over Nickel	7,000 PCS
A2504-GB	AWG#22-#28	1.80mm(max)	Brass	Gold over Nickel	7,000 PCS
A2504-GP	AWG#22-#28	1.80mm(max)	Phosphor Bronze	Gold over Nickel	7,000 PCS

Optional Gold plating available but MOQ requested

## A2504H

2.50mm pitch Housing

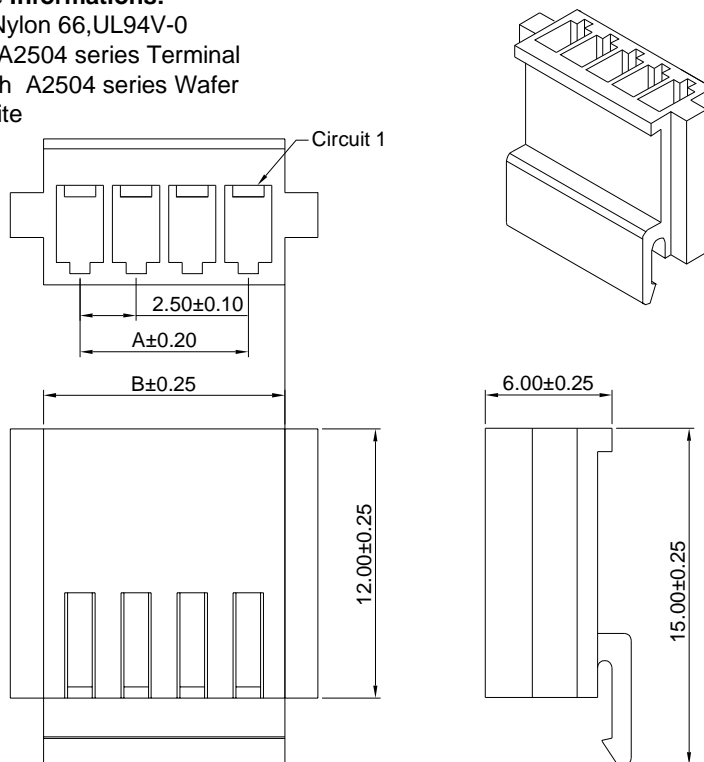
### Reference Informations:

\*Material:Nylon 66,UL94V-0

\*Suitable A2504 series Terminal

\*Mates with A2504 series Wafer

\*Color:White



### Ordering Information & Dimensions

PART NO.	Dimensions	
	A	B
A2504H-2P	2.50	5.70
A2504H-3P	5.00	8.20
A2504H-4P	7.50	10.70
A2504H-5P	10.00	13.20
A2504H-6P	12.50	15.70
A2504H-7P	15.00	18.20
A2504H-8P	17.50	20.70
A2504H-9P	20.00	23.20
A2504H-10P	22.50	25.70
A2504H-11P	25.00	28.20
A2504H-12P	27.50	30.70
A2504H-13P	30.00	33.20
A2504H-14P	32.50	35.70
A2504H-15P	35.00	38.20
A2504H-16P	37.50	40.70
A2504H-17P	40.00	43.20
A2504H-18P	42.50	45.70
A2504H-19P	45.00	48.20
A2504H-20P	47.50	50.70
A2504H-21P	50.00	53.20
A2504H-22P	52.50	55.70
A2504H-23P	55.00	58.20
A2504H-24P	57.50	60.70
A2504H-25P	60.00	63.20

Unit: mm

# A2504 SERIES

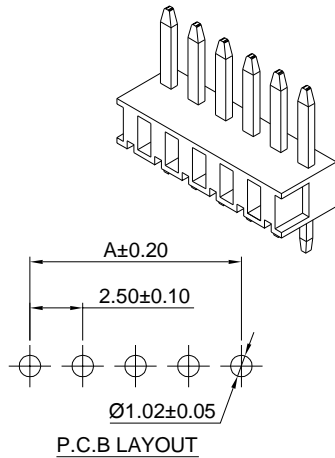
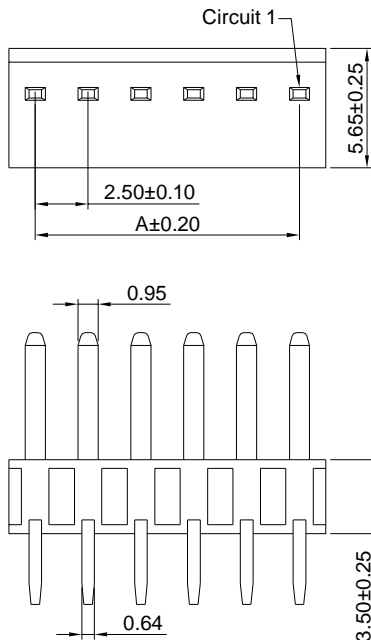
2.50mm pitch wire to board connector

## A2504WV

2.50mm pitch 180° Wafer

### Reference Informations:

- \*Material:Pin:Brass/Tin over Nickel  
Insulator:Nylon 66,UL94V-0
- \*Mates with A2504 series Housing
- \*Color:White



### Ordering Information & Dimensions

PART NO.	Dimensions
	A
A2504WV-2P	2.50
A2504WV-3P	5.00
A2504WV-4P	7.50
A2504WV-5P	10.00
A2504WV-6P	12.50
A2504WV-7P	15.00
A2504WV-8P	17.50
A2504WV-9P	20.00
A2504WV-10P	22.50
A2504WV-11P	25.00
A2504WV-12P	27.50
A2504WV-13P	30.00
A2504WV-14P	32.50
A2504WV-15P	35.00
A2504WV-16P	37.50
A2504WV-17P	40.00
A2504WV-18P	42.50
A2504WV-19P	45.00
A2504WV-20P	47.50
A2504WV-21P	50.00
A2504WV-22P	52.50
A2504WV-23P	55.00
A2504WV-24P	57.50
A2504WV-25P	60.00

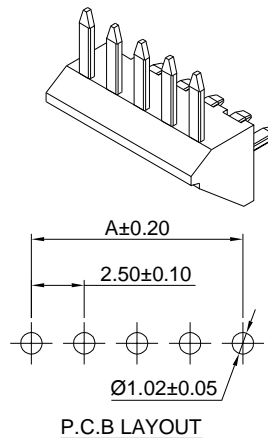
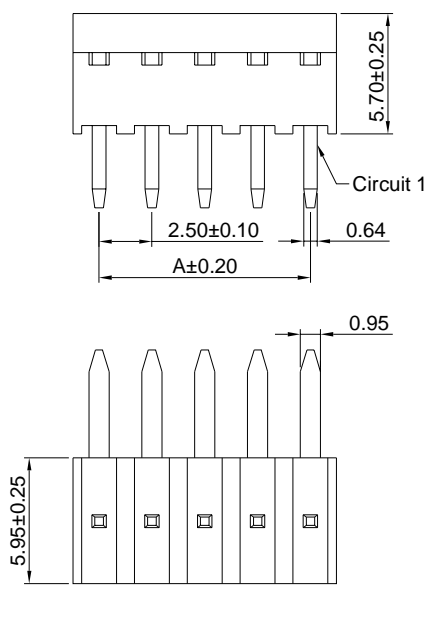
Unit: mm

## A2504WR

2.00mm pitch 90° Wafer

### Reference Informations:

- \*Material:Pin:Brass/Tin over Nickel  
Insulator:Nylon 66,UL94V-0
- \*Mates with A2504 series Housing
- \*Color:White



### Ordering Information & Dimensions

PART NO.	Dimensions
	A
A2504WR-2P	2.50
A2504WR-3P	5.00
A2504WR-4P	7.50
A2504WR-5P	10.00
A2504WR-6P	12.50
A2504WR-7P	15.00
A2504WR-8P	17.50
A2504WR-9P	20.00
A2504WR-10P	22.50
A2504WR-11P	25.00
A2504WR-12P	27.50
A2504WR-13P	30.00
A2504WR-14P	32.50
A2504WR-15P	35.00
A2504WR-16P	37.50
A2504WR-17P	40.00
A2504WR-18P	42.50
A2504WR-19P	45.00
A2504WR-20P	47.50
A2504WR-21P	50.00
A2504WR-22P	52.50
A2504WR-23P	55.00
A2504WR-24P	57.50
A2504WR-25P	60.00

Unit: mm

# A2504 SERIES

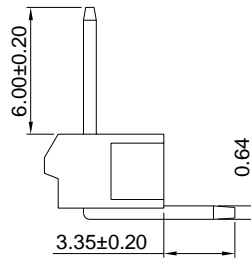
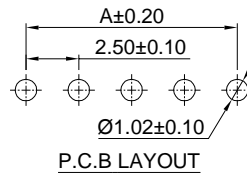
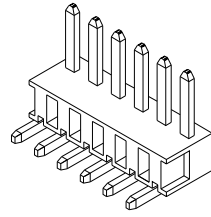
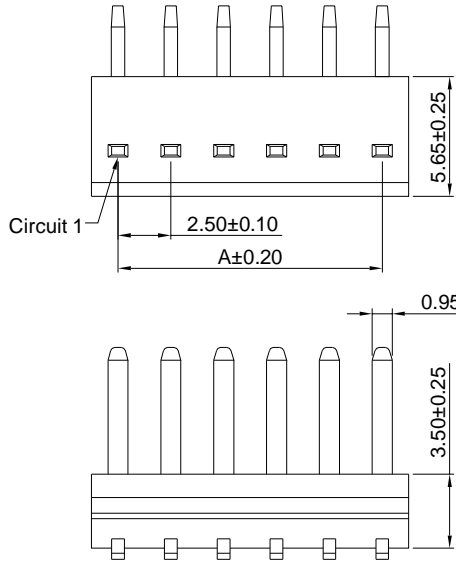
2.50mm pitch wire to board connector

## A2504WRA

2.50mm pitch 90° Wafer

### Reference Informations:

- \*Material:Pin:Brass/Tin over Nickel  
Insulator:Nylon 66,UL94V-0
- \*Mates with A2504 series Housing
- \*Color:White



### Ordering Information & Dimensions

PART NO.	Dimensions
	A
A2504WRA-2P	2.50
A2504WRA-3P	5.00
A2504WRA-4P	7.50
A2504WRA-5P	10.00
A2504WRA-6P	12.50
A2504WRA-7P	15.00
A2504WRA-8P	17.50
A2504WRA-9P	20.00
A2504WRA-10P	22.50
A2504WRA-11P	25.00
A2504WRA-12P	27.50
A2504WRA-13P	30.00
A2504WRA-14P	32.50
A2504WRA-15P	35.00
A2504WRA-16P	37.50
A2504WRA-17P	40.00
A2504WRA-18P	42.50
A2504WRA-19P	45.00
A2504WRA-20P	47.50
A2504WRA-21P	50.00
A2504WRA-22P	52.50
A2504WRA-23P	55.00
A2504WRA-24P	57.50
A2504WRA-25P	60.00

Unit: mm