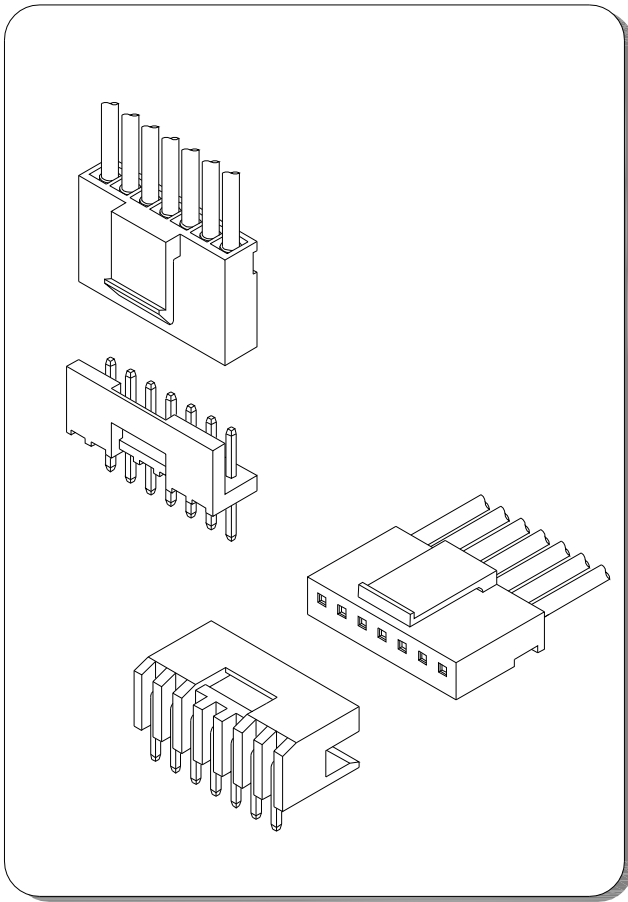


A2506 SERIES

2.50mm pitch wire to board connector



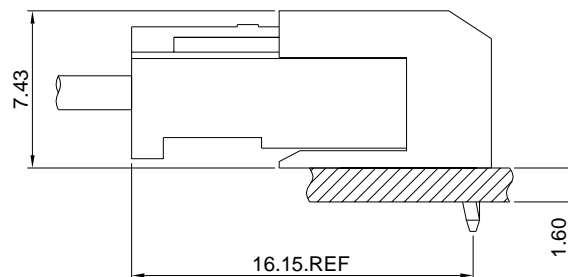
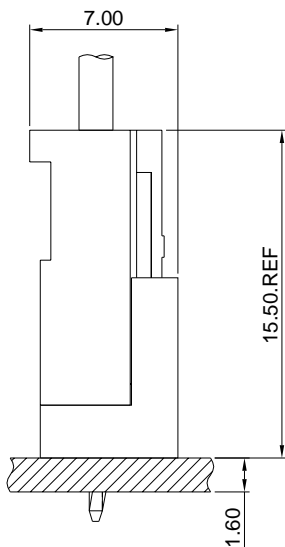
Specifications

- Current rating:3A AC,DC
- Voltage rating:250V AC,DC
- Temperature range:-40°C~+105°C
- Contact resistance:20mΩMax.
- Insulation resistance:1000MΩMin.
- Withstanding voltage:1000V AC/minute
- *Compliant with RoHS and REACH*
- *Meet the HF/Halogen Free,need to customize*
- *Contact for details*

Standards



Assembly layout



A2506 SERIES

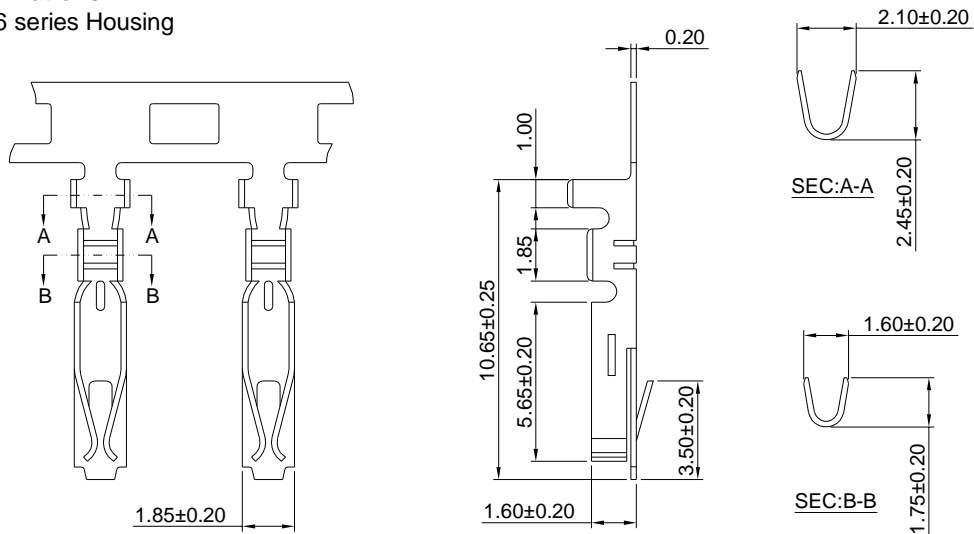
2.50mm pitch wire to board connector

A2506-T

2.50mm pitch Crimp Terminal

Reference Informations:

*Used in A2506 series Housing



Ordering information & Specifications:

Unit:mm

Part NO	Wire Range	Insulation O.D.	Material	Finish	Qty/reel
A2506-TP	AWG#22-#28	1.70mm(max)	Phosphor Bronze	Tin over Nickel	10,000 PCS
A2506-GP	AWG#22-#28	1.70mm(max)	Phosphor Bronze	Gold over Nickel	10,000 PCS

Optional Gold plating available but MOQ requested

A2506H

2.50mm pitch Housing

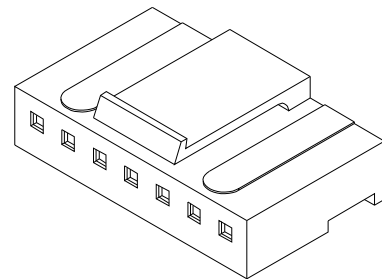
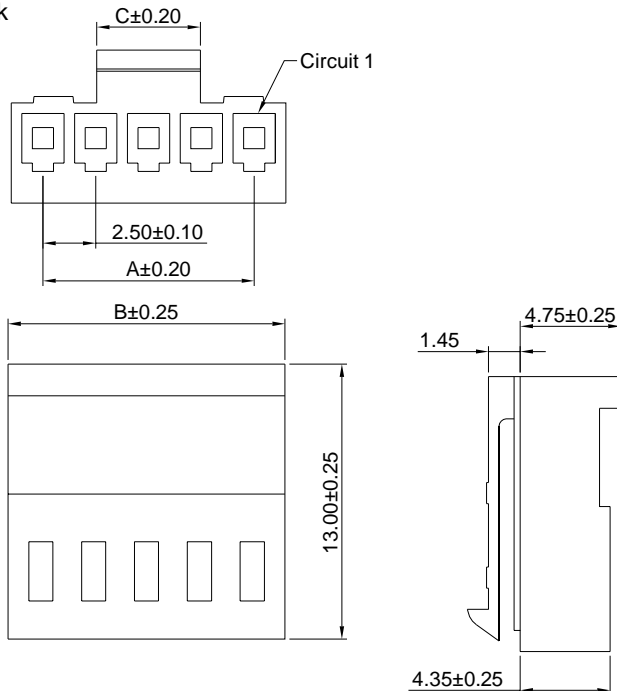
Reference Informations:

*Material:Nylon 66,UL94V-0

*Suitable A2506 series Terminal

*Mates with A2506 series Wafer

*Color:Pink



Ordering Information & Dimensions

PART NO.	Dimensions		
	A	B	C
A2506H-2P	2.50	5.50	2.00
A2506H-3P	5.00	8.00	2.50
A2506H-4P	7.50	10.50	5.00
A2506H-5P	10.00	13.00	5.00
A2506H-6P	12.50	15.50	6.00
A2506H-7P	15.00	18.00	8.00
A2506H-8P	17.50	20.50	10.00
A2506H-9P	20.00	23.00	10.00
A2506H-10P	22.50	25.50	10.00
A2506H-11P	25.00	28.00	11.00
A2506H-12P	27.50	30.50	11.00
A2506H-13P	30.00	33.00	13.00
A2506H-14P	32.50	35.50	13.00
A2506H-15P	35.00	38.00	13.00

Unit: mm

A2506 SERIES

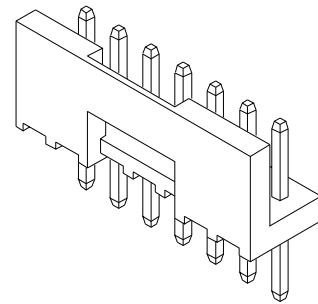
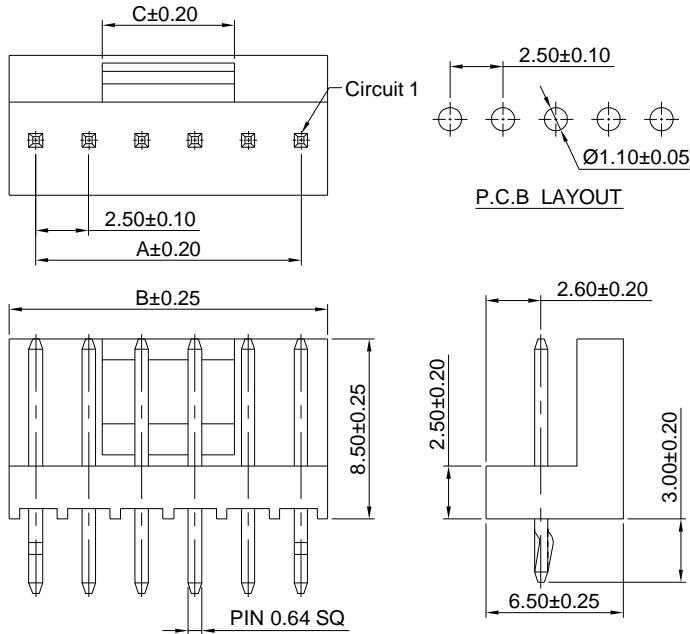
2.50mm pitch wire to board connector

A2506WV

2.50mm pitch 180° Wafer

Reference Informations:

- *Material:Pin:Brass/Tin over Nickel
Insulator:PBT,UL94V-0
- *Mates with A2506 series Housing
- *Color:White



Ordering Information & Dimensions

PART NO.	Dimensions		
	A	B	C
A2506WV-2P	2.50	5.00	2.20
A2506WV-3P	5.00	7.50	2.70
A2506WV-4P	7.50	10.00	5.20
A2506WV-5P	10.00	12.50	5.20
A2506WV-6P	12.50	15.00	6.20
A2506WV-7P	15.00	17.50	8.20
A2506WV-8P	17.50	20.00	10.20
A2506WV-9P	20.00	22.50	10.20
A2506WV-10P	22.50	25.00	10.20
A2506WV-11P	25.00	27.50	11.20
A2506WV-12P	27.50	30.00	11.20
A2506WV-13P	30.00	32.50	13.20
A2506WV-14P	32.50	35.00	13.20
A2506WV-15P	35.00	38.50	13.20

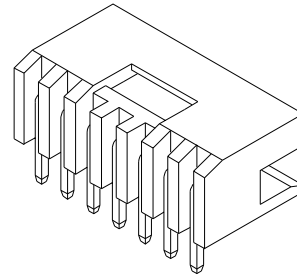
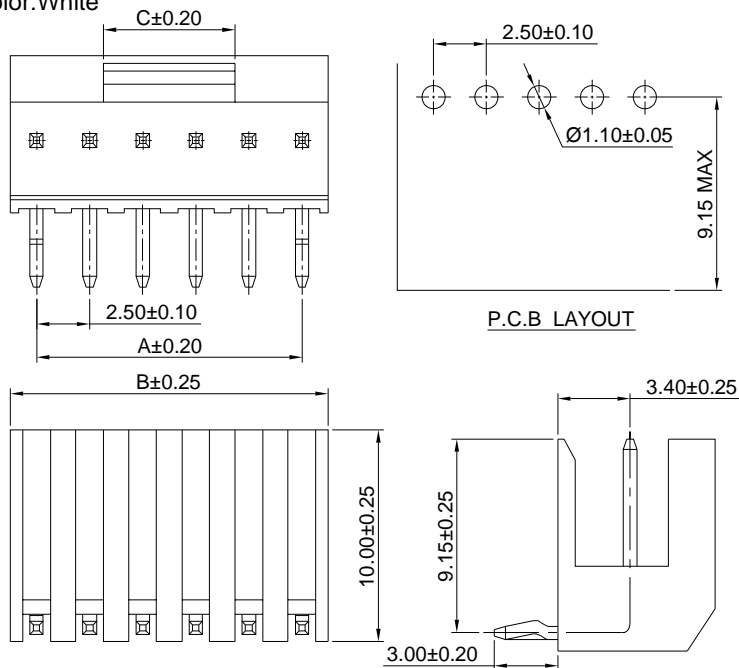
Unit: mm

A2506WR

2.00mm pitch 90° Wafer

Reference Informations:

- *Material:Pin:Brass/Tin over Nickel
Insulator:PBT,UL94V-0
- *Mates with A2506 series Housing
- *Color:White



Ordering Information & Dimensions

PART NO.	Dimensions		
	A	B	C
A2506WR-2P	2.50	5.00	2.20
A2506WR-3P	5.00	7.50	2.70
A2506WR-4P	7.50	10.00	5.20
A2506WR-5P	10.00	12.50	5.20
A2506WR-6P	12.50	15.00	6.20
A2506WR-7P	15.00	17.50	8.20
A2506WR-8P	17.50	20.00	10.20
A2506WR-9P	20.00	22.50	10.20
A2506WR-10P	22.50	25.00	10.20
A2506WR-11P	25.00	27.50	11.20
A2506WR-12P	27.50	30.00	11.20
A2506WR-13P	30.00	32.50	13.20
A2506WR-14P	32.50	35.00	13.20
A2506WR-15P	35.00	38.50	13.20

Unit: mm

A2506 SERIES

2.50mm pitch wire to board connector

A2506WRA

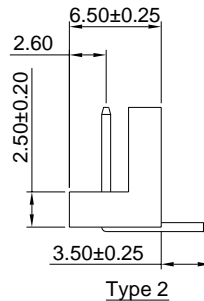
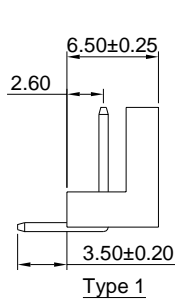
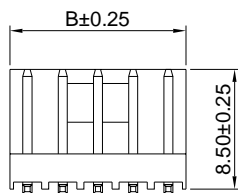
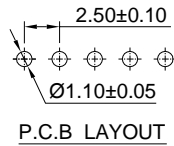
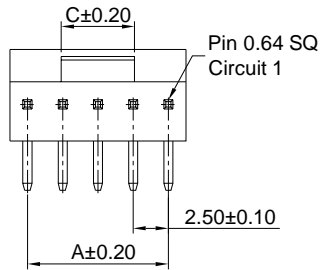
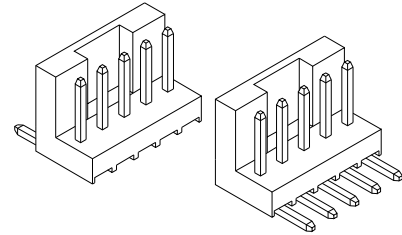
2.50mm pitch 90° Wafer

Reference Informations:

- *Material:Pin:Brass/Tin over Nickel
Insulator: Nylon 66,UL94V-0
- *Mates with A2506 series Housing
- *Color:Pink

Ordering Information:

- A2506WRA-XP - **
 1 2
 1.Part No.
 2.Style:
 (blank)-Type 1
 2-Type 2



Ordering Information & Dimensions

PART NO.	Dimensions		
	A	B	C
A2506WRA-2P	2.50	5.00	2.20
A2506WRA-3P	5.00	7.50	2.70
A2506WRA-4P	7.50	10.00	5.20
A2506WRA-5P	10.00	12.50	5.20
A2506WRA-6P	12.50	15.00	6.20
A2506WRA-7P	15.00	17.50	8.20
A2506WRA-8P	17.50	20.00	10.20
A2506WRA-9P	20.00	22.50	10.20
A2506WRA-10P	22.50	25.00	10.20
A2506WRA-11P	25.00	27.50	11.20
A2506WRA-12P	27.50	30.00	11.20
A2506WRA-13P	30.00	32.50	13.20
A2506WRA-14P	32.50	35.00	13.20
A2506WRA-15P	35.00	38.50	13.20

Unit: mm