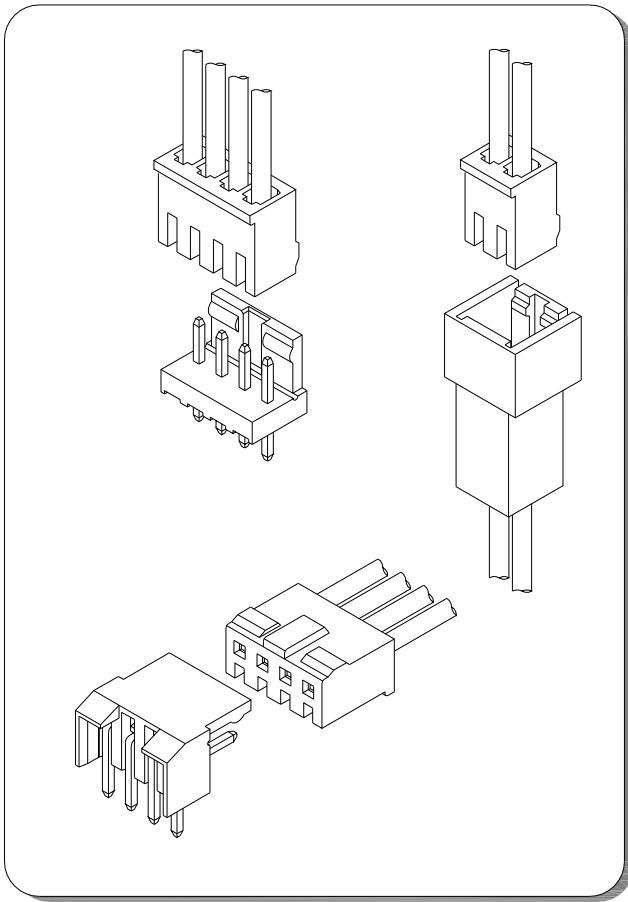


A2507 SERIES

2.50mm pitch wire to board connector



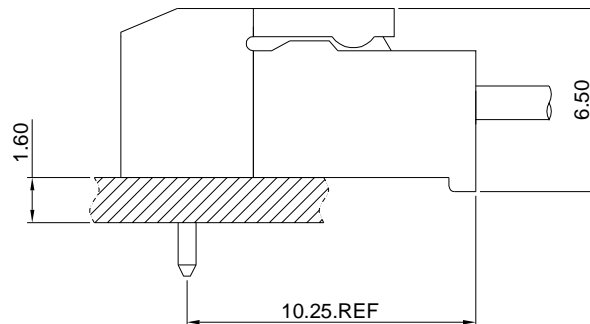
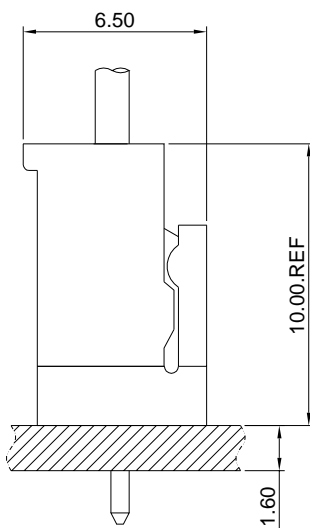
Specifications

- Current rating: 3A AC, DC
- Voltage rating: 250V AC, DC
- Temperature range: -40°C ~ +105°C
- Contact resistance: 20mΩ Max.
- Insulation resistance: 1000MΩ Min.
- Withstanding voltage: 1500V AC/minute
- *Compliant with RoHS and REACH*
- *Meet the HF/Halogen Free, need to customize*
- *Contact for details*

Standards



Assembly layout



A2507 SERIES

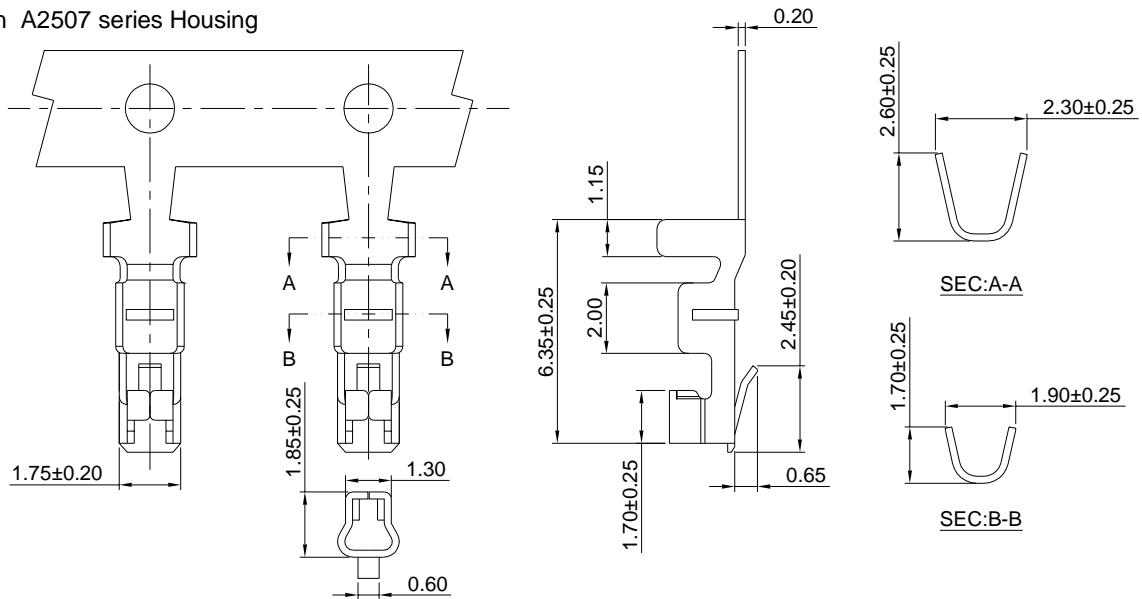
2.50mm pitch wire to board connector

A2507-T

2.50mm pitch Crimp Terminal

Reference Informations:

*Used in A2507 series Housing



Ordering information & Specifications:

Unit:mm

Part NO	Wire Range	Insulation O.D.	Material	Finish	Qty/reel
A2507-TP	AWG#22-#28	1.90mm(max)	Phosphor Bronze	Tin over Nickel	10,000 PCS
A2507-GP	AWG#22-#28	1.90mm(max)	Phosphor Bronze	Gold over Nickel	10,000 PCS

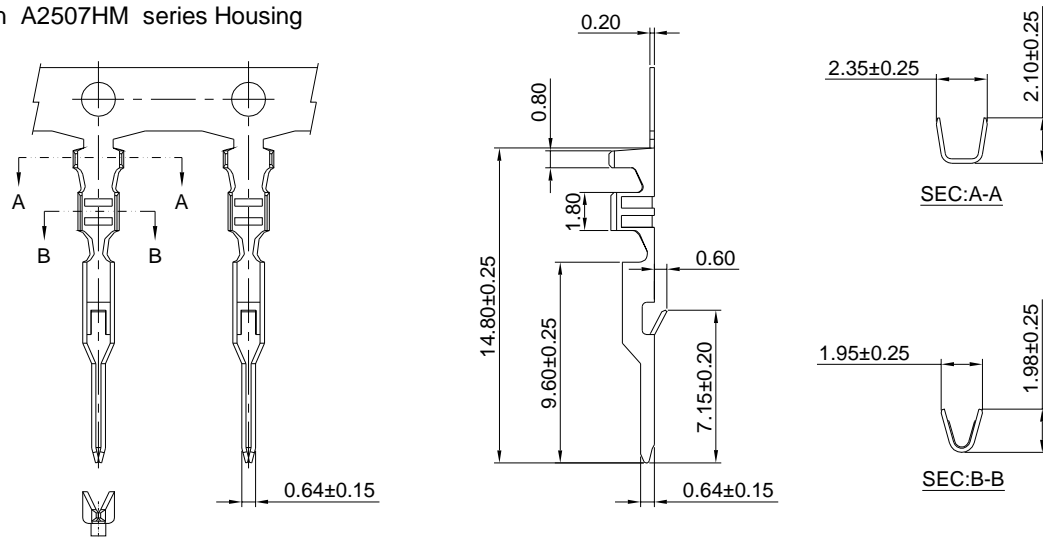
Optional Gold plating available but MOQ requested

A2507M-T

2.50mm pitch Crimp Terminal

Reference Informations:

*Used in A2507HM series Housing



Ordering information & Specifications:

Unit:mm

Part NO.	Wire Range	Insulation O.D.	Material	Finish	Qty/reel
A2507M-TB	AWG#22-#28	1.00mm(max)	Brass	Tin over Nickel	10,000 PCS
A2507M-TP	AWG#22-#28	1.00mm(max)	Phosphor Bronze	Tin over Nickel	10,000 PCS
A2507M-GB	AWG#22-#28	1.00mm(max)	Brass	Gold over Nickel	10,000 PCS
A2507M-GP	AWG#22-#28	1.00mm(max)	Phosphor Bronze	Gold over Nickel	10,000 PCS

Optional Gold plating available but MOQ requested

A2507 SERIES

2.50mm pitch wire to board connector

A2507H

2.50mm pitch Housing

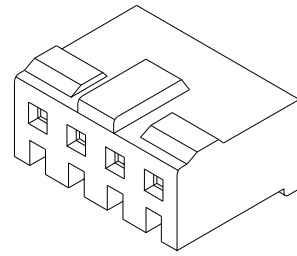
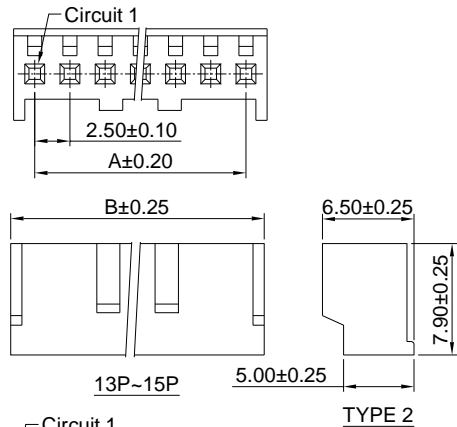
Reference Informations:

- *Material:Nylon 66,UL94V-0
- *Suitable A2507 series Terminal
- *Mates with A2507 series Wafer
- *Color:Brown

Ordering Information:

A2507H-XP - **
1 2

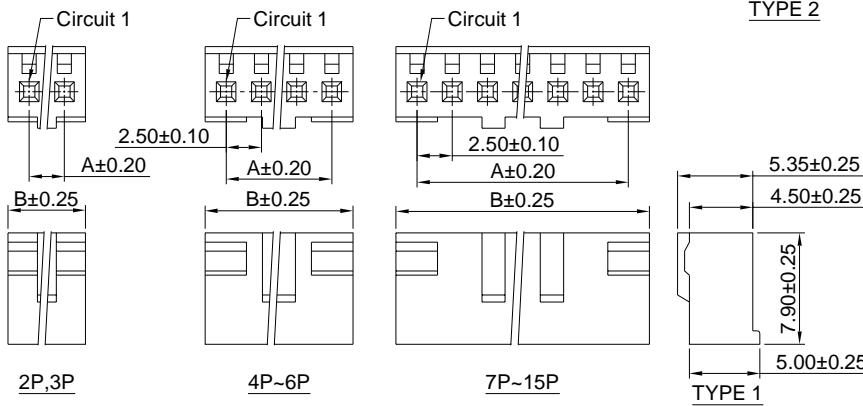
- 1.Part No.
- 2.Style:
(blank)-Type 1
2-Type 2



Ordering Information & Dimensions

PART NO.	Dimensions	
	A	B
A2507H-2P	2.50	5.50
A2507H-3P	5.00	8.00
A2507H-4P	7.50	10.50
A2507H-5P	10.00	13.00
A2507H-6P	12.50	15.50
A2507H-7P	15.00	18.00
A2507H-8P	17.50	20.50
A2507H-9P	20.00	23.00
A2507H-10P	22.50	25.50
A2507H-11P	25.00	28.00
A2507H-12P	27.50	30.50
A2507H-13P	30.00	33.00
A2507H-14P	32.50	35.50
A2507H-15P	35.00	38.00

Unit: mm

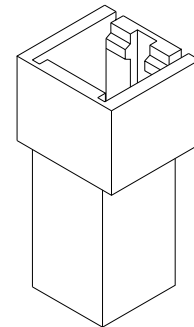
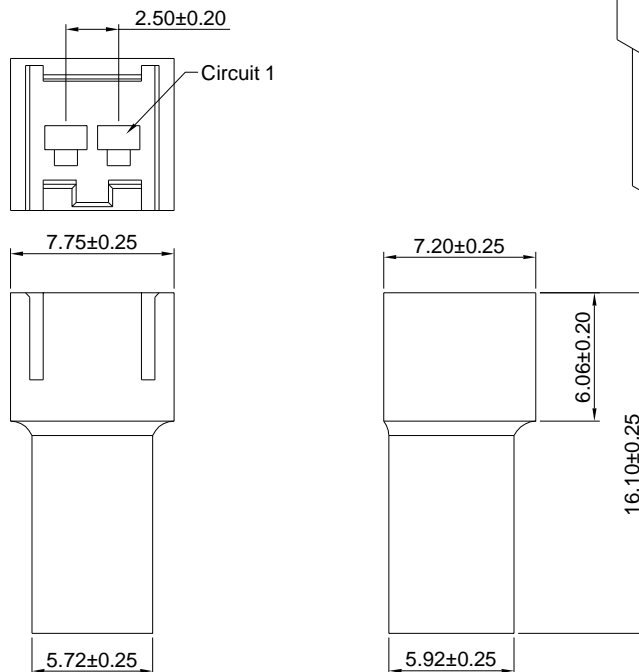


A2507HM-2P

2.50mm pitch Housing

Reference Informations:

- *Material:Nylon 66,UL94V-0
- *Suitable A2507M series Terminal
- *Mates with A2507H-2P Housing
- *Color:Brown



Unit: mm

