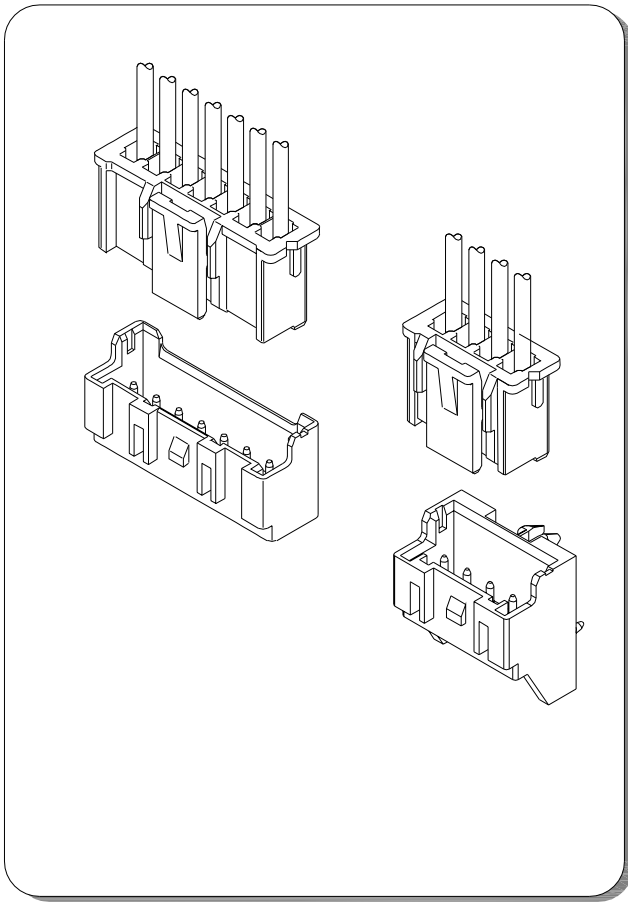


A2508 SERIES

2.50mm pitch wire to board connector



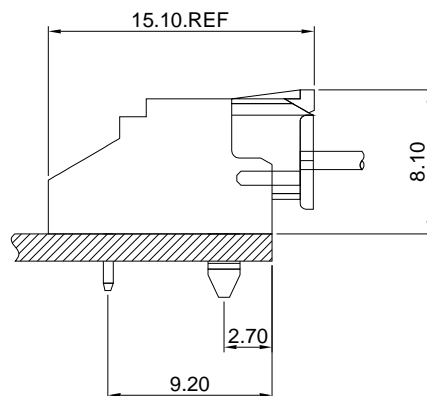
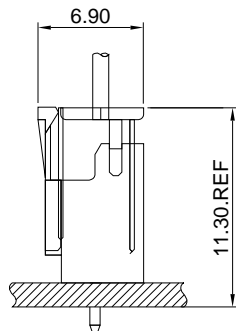
Specifications

- Current rating:3A AC,DC
- Voltage rating:250V AC,DC
- Temperature range:-40°C~+105°C
- Contact resistance:10mΩMax.
- Insulation resistance:1000MΩMin.
- Withstanding voltage:1000V AC/minute
- *Compliant with RoHS and REACH*
- *Meet the HF/Halogen Free,need to customize*
- *Contact for details*

Standards



Assembly layout



A2508 SERIES

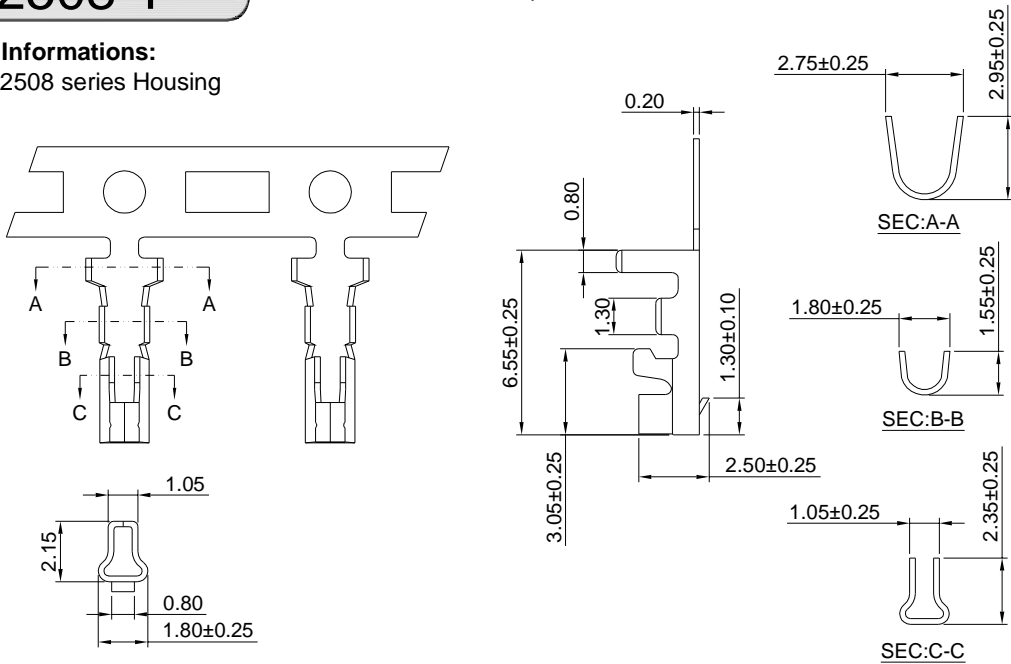
2.50mm pitch wire to board connector

A2508-T

2.50mm Pitch Crimp Terminal

Reference Informations:

*Used in A2508 series Housing



Ordering information & Specifications:

Unit:mm

Part NO	Wire Range	Insulation O.D.	Material	Finish	Qty/reel
A2508-TP	AWG#22-#28	1.90mm(max)	Phosphor Bronze	Tin over Nickel	10,000 PCS
A2508-GP	AWG#22-#28	1.90mm(max)	Phosphor Bronze	Gold over Nickel	10,000 PCS

Optional Gold plating available but MOQ requested

A2508H

2.50mm Pitch Housing

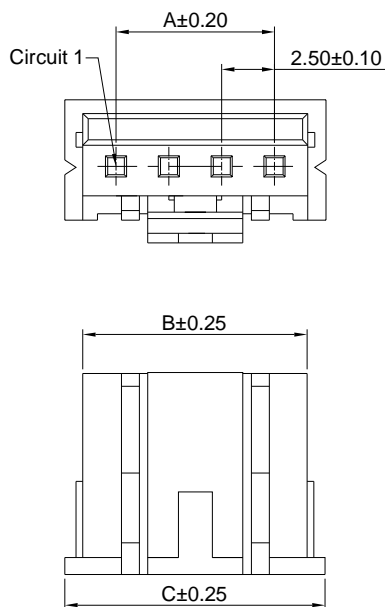
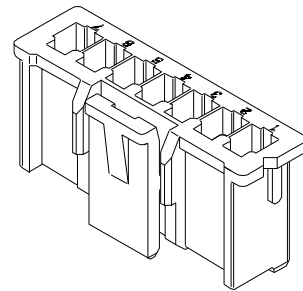
Reference Informations:

*Material:Nylon 66 ,UL94V-0

*Suitable A2508 series Terminal

*Mates with A2508 series Wafer

*Color:White



Ordering Information & Dimensions:

PART NO.	Dimensions		
	A	B	C
A2508H-2P	2.50	5.64	7.30
A2508H-3P	5.00	8.14	9.80
A2508H-4P	7.25	10.64	12.30
A2508H-5P	10.00	13.14	14.80
A2508H-6P	12.50	15.64	17.30
A2508H-7P	15.00	18.14	19.80
A2508H-8P	17.50	20.64	22.30
A2508H-9P	20.00	23.14	24.80
A2508H-10P	22.50	25.64	27.30
A2508H-11P	25.00	28.14	29.80
A2508H-12P	27.50	30.64	32.30
A2508H-13P	30.00	33.14	34.80
A2508H-14P	32.50	35.64	37.30
A2508H-15P	35.00	38.14	39.80

Unit: mm

A2508 SERIES

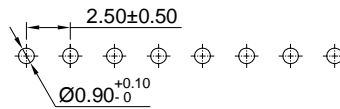
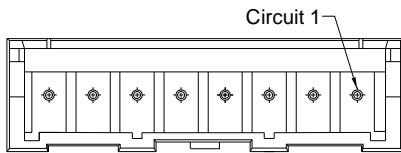
2.50mm pitch wire to board connector

A2508WV

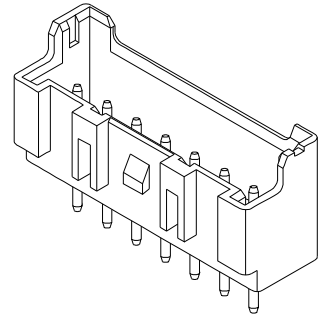
2.50mm Pitch 180° Wafer

Reference Informations:

- *Material:Pin:Brass/Tin over Nickel
Insulator:Nylon 66 ,UL94V-0
- *Suitable A2508 series Terminal
- *Mates with A2508 series Housing
- *Color:White



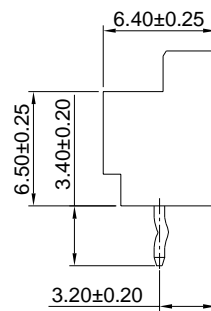
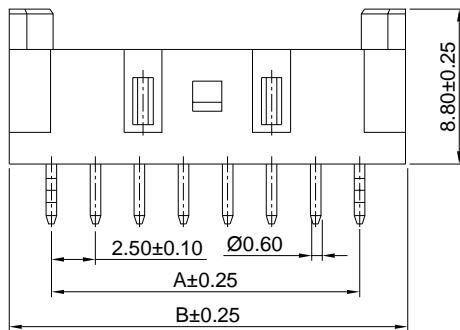
P.C.B LAYOUT



Ordering Information & Dimensions:

PART NO.	Dimensions	
	A	B
A2508WV-2P	2.50	7.50
A2508WV-3P	5.00	10.00
A2508WV-4P	7.50	12.50
A2508WV-5P	10.00	15.00
A2508WV-6P	12.50	17.50
A2508WV-7P	15.00	20.00
A2508WV-8P	17.50	22.50
A2508WV-9P	20.00	25.00
A2508WV-10P	22.50	27.50
A2508WV-11P	25.00	30.00
A2508WV-12P	27.50	32.50
A2508WV-13P	30.00	35.00
A2508WV-14P	32.50	37.50
A2508WV-15P	35.00	40.00

Unit: mm

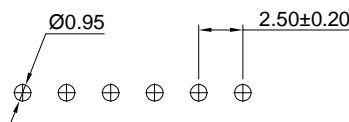
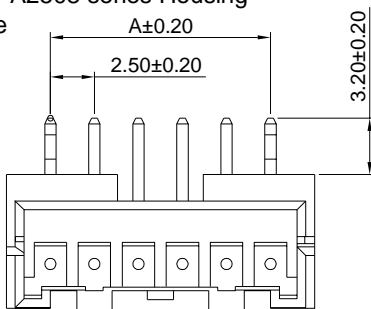


A2508WR

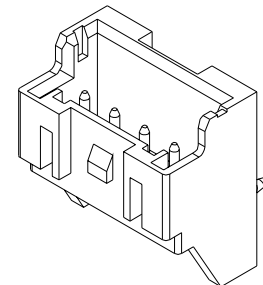
2.50mm Pitch 90° Wafer

Reference Informations:

- *Material:Pin:Brass/Tin over Nickel
Insulator:Nylon 66 ,UL94V-0
- *Suitable A2508 series Terminal
- *Mates with A2508 series Housing
- *Color:White



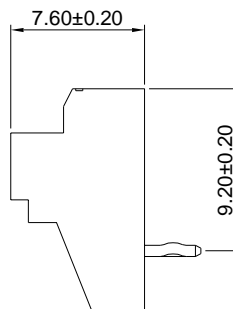
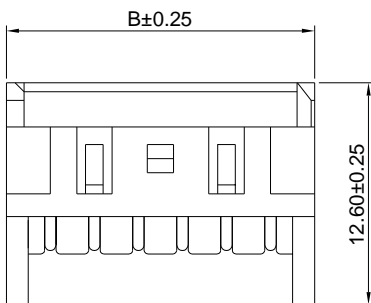
P.C.B LAYOUT



Ordering Information & Dimensions:

PART NO.	Dimensions	
	A	B
A2508WR-2P	2.50	7.50
A2508WR-3P	5.00	10.00
A2508WR-4P	7.50	12.50
A2508WR-5P	10.00	15.00
A2508WR-6P	12.50	17.50
A2508WR-7P	15.00	20.00
A2508WR-8P	17.50	22.50
A2508WR-9P	20.00	25.00
A2508WR-10P	22.50	27.50
A2508WR-11P	25.00	30.00
A2508WR-12P	27.50	32.50
A2508WR-13P	30.00	35.00
A2508WR-14P	32.50	37.50
A2508WR-15P	35.00	40.00

Unit: mm



A2508 SERIES

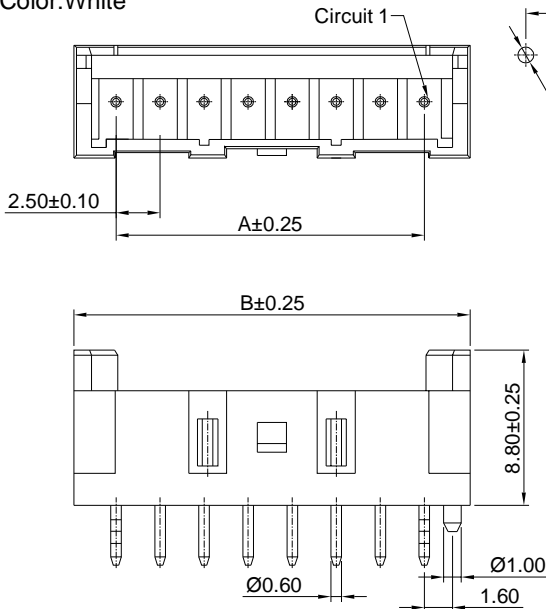
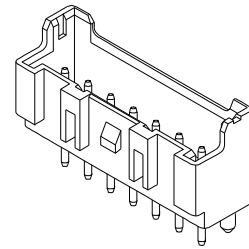
2.50mm pitch wire to board connector

A2508WV-F

2.50mm Pitch 180° Wafer

Reference Informations:

- *Material:Pin:Brass/Tin over Nickel
Insulator:Nylon 66 ,UL94V-0
- *Suitable A2508 series Terminal
- *Mates with A2508 series Housing
- *Color:White



Ordering Information & Dimensions:

PART NO.	Dimensions	
	A	B
A2508WV-F-2P	2.50	7.50
A2508WV-F-3P	5.00	10.00
A2508WV-F-4P	7.50	12.50
A2508WV-F-5P	10.00	15.00
A2508WV-F-6P	12.50	17.50
A2508WV-F-7P	15.00	20.00
A2508WV-F-8P	17.50	22.50
A2508WV-F-9P	20.00	25.00
A2508WV-F-10P	22.50	27.50
A2508WV-F-11P	25.00	30.00
A2508WV-F-12P	27.50	32.50
A2508WV-F-13P	30.00	35.00
A2508WV-F-14P	32.50	37.50
A2508WV-F-15P	35.00	40.00

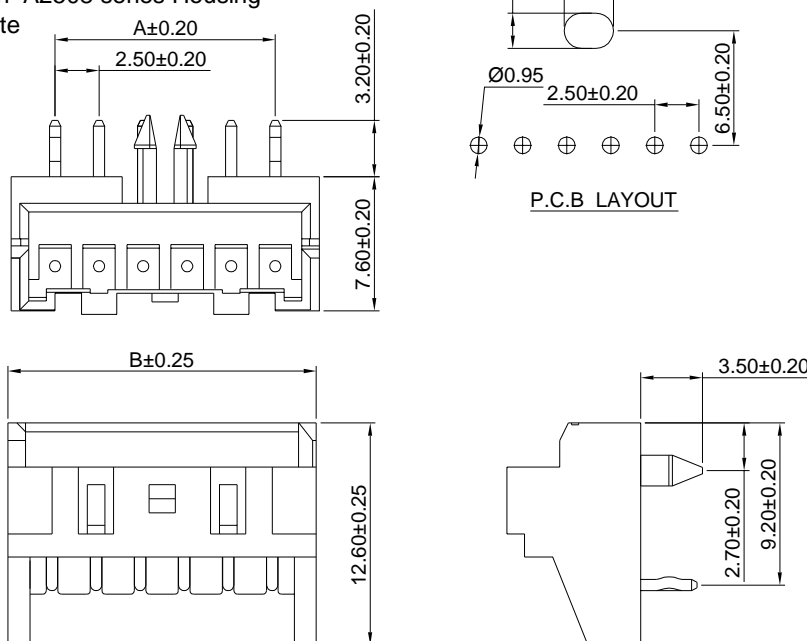
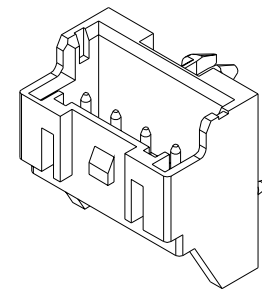
Unit: mm

A2508WR-F

2.50mm Pitch 90° Wafer

Reference Informations:

- *Material:Pin:Brass/Tin over Nickel
Insulator:Nylon 66 ,UL94V-0
- *Suitable A2508 series Terminal
- *Mates with A2508 series Housing
- *Color:White



Ordering Information & Dimensions:

PART NO.	Dimensions	
	A	B
A2508WR-F-2P	2.50	7.50
A2508WR-F-3P	5.00	10.00
A2508WR-F-4P	7.50	12.50
A2508WR-F-5P	10.00	15.00
A2508WR-F-6P	12.50	17.50
A2508WR-F-7P	15.00	20.00
A2508WR-F-8P	17.50	22.50
A2508WR-F-9P	20.00	25.00
A2508WR-F-10P	22.50	27.50
A2508WR-F-11P	25.00	30.00
A2508WR-F-12P	27.50	32.50
A2508WR-F-13P	30.00	35.00
A2508WR-F-14P	32.50	37.50
A2508WR-F-15P	35.00	40.00

Unit: mm