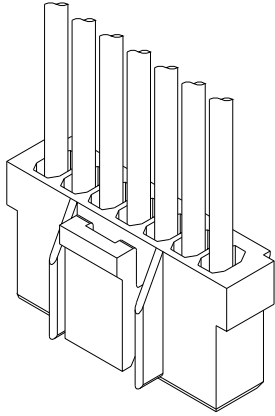


# A2509 SERIES

2.50mm pitch wire to board connector



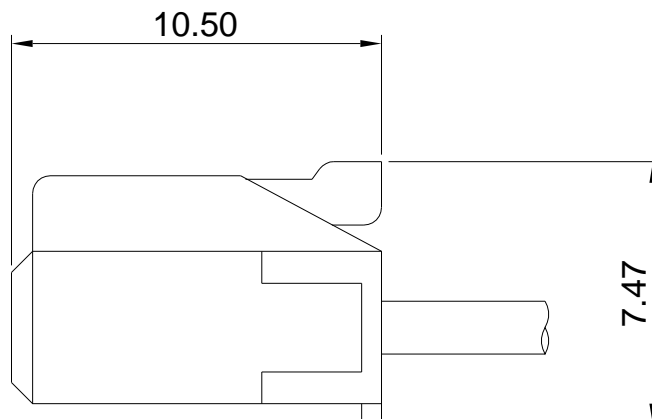
## Specifications

- Current rating:3A AC,DC
- Voltage rating:250V AC,DC
- Temperature range:-40°C~+105°C
- Contact resistance:10mΩMax.
- Insulation resistance:1000MΩMin.
- Withstanding voltage:1000V AC/minute
- \*Compliant with RoHS and REACH\*
- \*Meet the HF/Halogen Free,need to customize\*
- \*Contact for details\*

## Standards



## Assembly layout



# A2509 SERIES

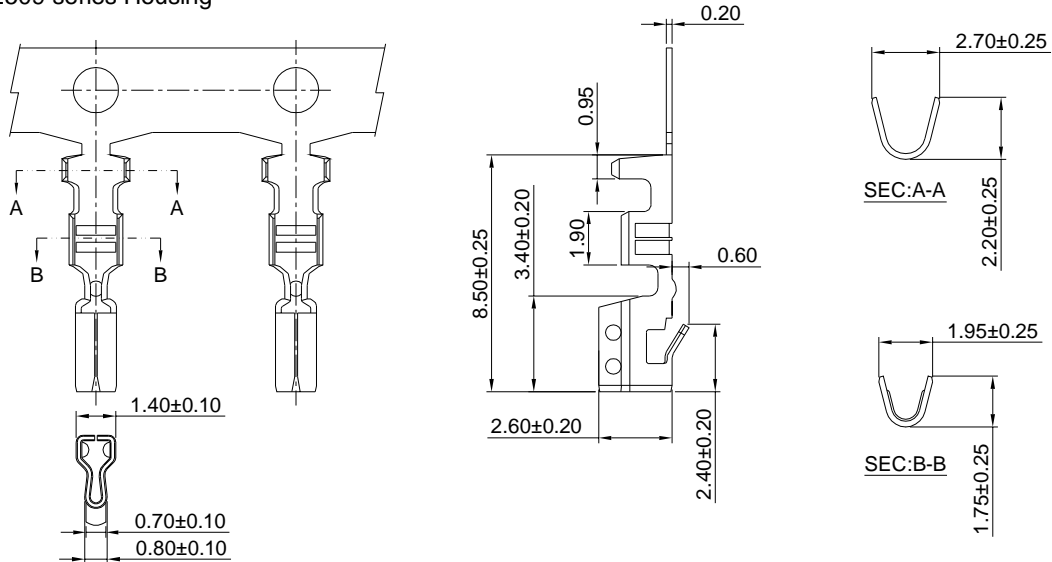
2.50mm pitch wire to board connector

## A2509-T

2.50mm Pitch Crimp Terminal

### Reference Informations:

\*Used in A2509 series Housing



### Ordering information & Specifications:

Unit:mm

Part NO	Wire Range	Insulation O.D.	Material	Finish	Qty/reel
A2509-TP	AWG#22-#28	1.90mm(max)	Phosphor Bronze	Tin over Nickel	7,000 PCS
A2509-GP	AWG#22-#28	1.90mm(max)	Phosphor Bronze	Gold over Nickel	7,000 PCS

Optional Gold plating available but MOQ requested

## A2509H

2.50mm Pitch Housing

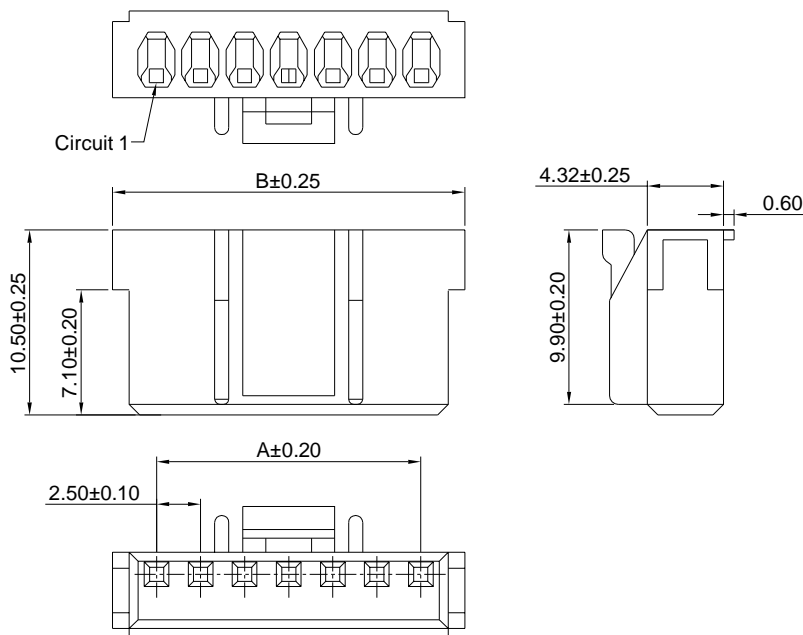
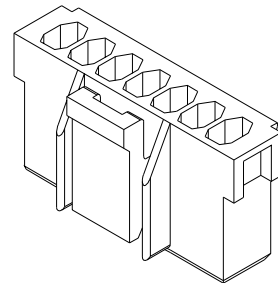
### Reference Informations:

\*Material:Nylon 66 ,UL94V-0

\*Suitable A2509 series Terminal

\*Mates with A2509 series Wafer

\*Color:White



### Ordering Information & Dimensions:

PART NO.	Dimensions	
	A	B
A2509H-2P	2.50	7.50
A2509H-3P	5.00	10.00
A2509H-4P	7.25	12.50
A2509H-5P	10.00	15.00
A2509H-6P	12.50	17.50
A2509H-7P	15.00	20.00
A2509H-8P	17.50	22.50
A2509H-9P	20.00	25.00
A2509H-10P	22.50	27.50
A2509H-11P	25.00	30.00
A2509H-12P	27.50	32.50
A2509H-13P	30.00	35.00
A2509H-14P	32.50	37.50
A2509H-15P	35.00	40.00

Unit: mm