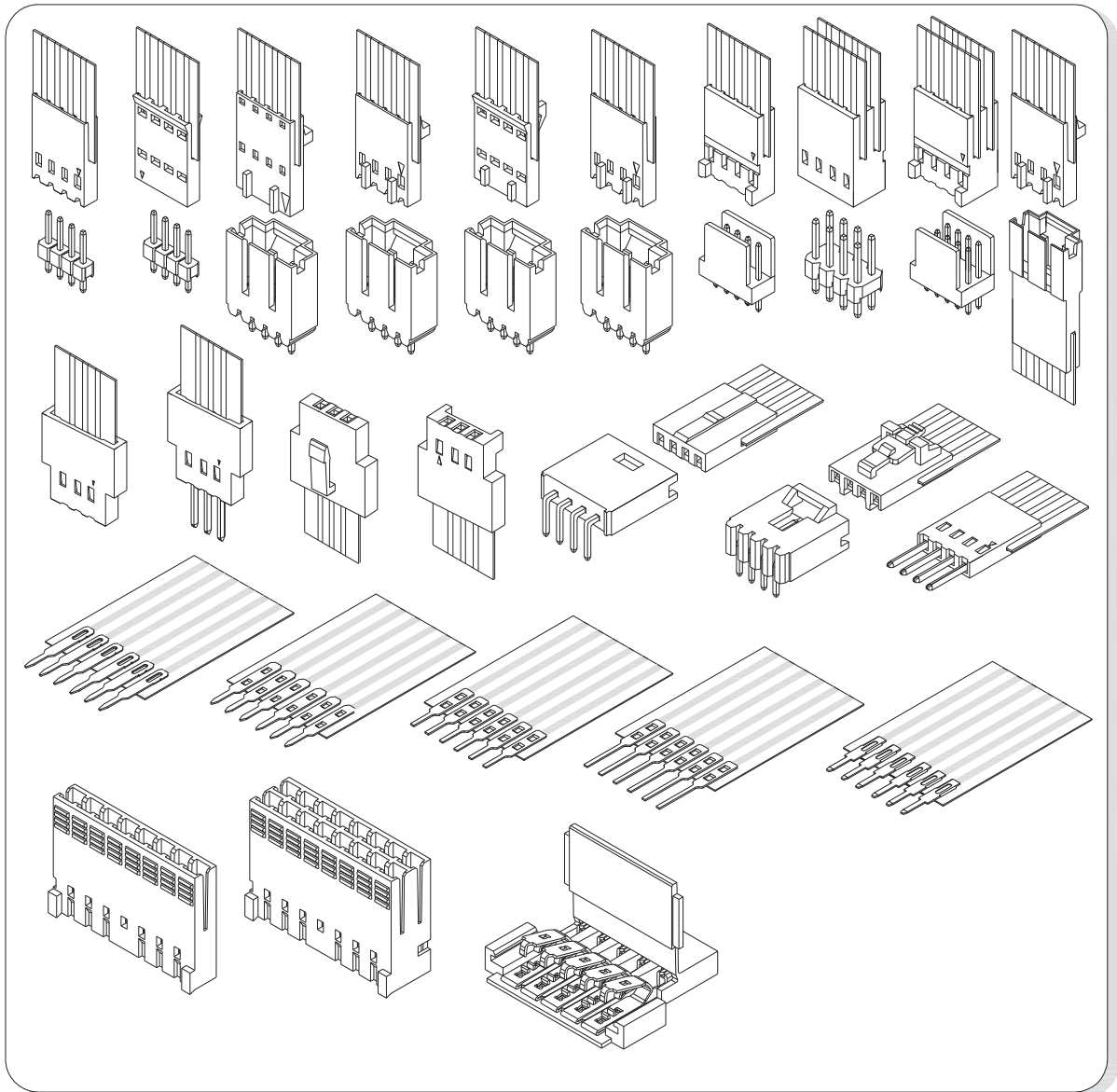


A2550 SERIES

2.54mm pitch FFC Crimp Flex Connector



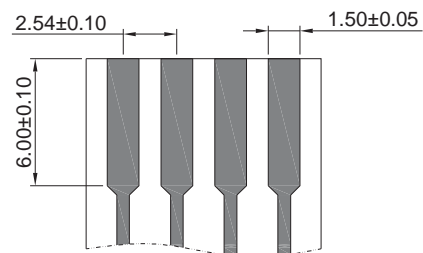
Specifications

- Current rating:3A AC,DC
- Voltage rating:300V AC,DC
- Temperature range:-40°C~+105°C
- Contact resistance:5mΩ Max.
- Insulation resistance:1000MΩ Min.
- Withstanding voltage:1100V AC/minute
- *Compliant with RoHS and REACH*
- *Meet the HF/Halogen Free,need to customize*
- *Contact for details*

Standards



Contact Layout



A2550 SERIES

2.54mm pitch FFC Crimp Flex connector

A2550-T

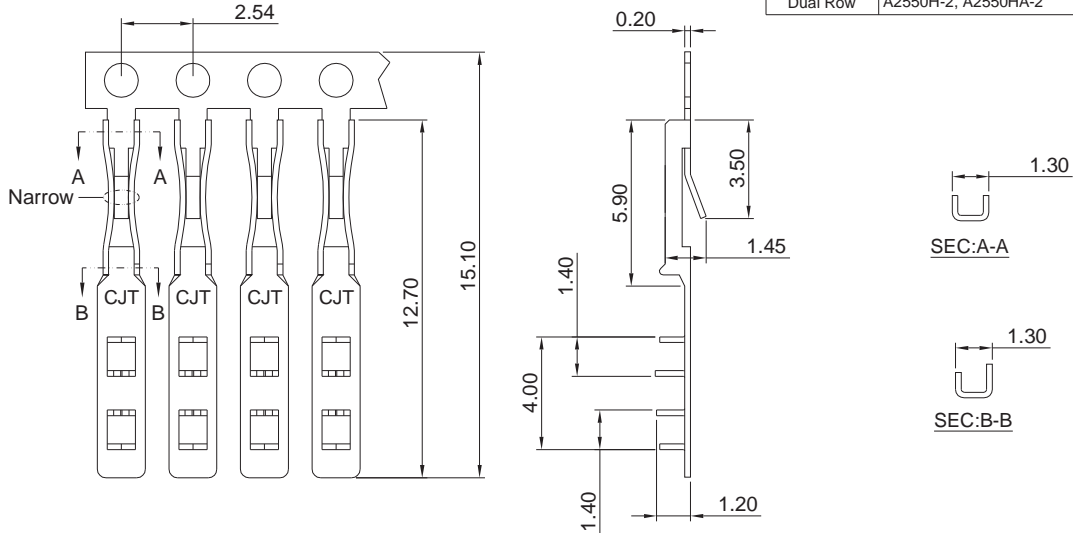
2.54mm pitch Crimp Flex Terminal

Reference Informations:

*Used in A2550 series Housing

Use With CJT A2550 series Housing :

Single Row	A2550H, A2550HA, A2550HB, A2550H-A
	A2550H-B, A2550H-C, A2550H-C1, A2550H-D A2550H-E, A2550H-F, A2550H-J
Dual Row	A2550H-2, A2550HA-2



Unit:mm

Part NO.	Wire Range	Insulation O.D.	Material	Finish	Qty/reel
A2550-TP	FFC WIRE	-----	Phosphor Bronze	Tin over Nickel	20,000 PCS
A2550-GP	FFC WIRE	-----	Phosphor Bronze	Gold over Nickel	20,000 PCS

Optional Gold plating available but MOQ requested

A2550-T-H

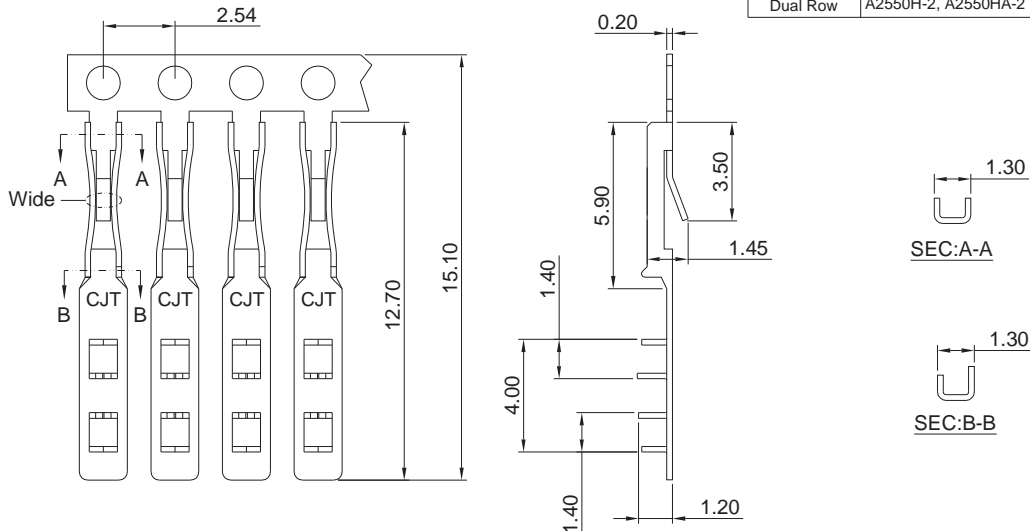
2.54mm pitch Crimp Flex Terminal

Reference Informations:

*Used in A2550 series Housing

Use With CJT A2550 series Housing :

Single Row	A2550H, A2550HA, A2550HB, A2550H-A
	A2550H-B, A2550H-C, A2550H-C1, A2550H-D A2550H-E, A2550H-F, A2550H-J
Dual Row	A2550H-2, A2550HA-2



Unit:mm

Ordering information & Specifications:

Part NO.	Wire Range	Insulation O.D.	Material	Finish	Qty/reel
A2550-TP-H	FFC WIRE	-----	Phosphor Bronze	Tin over Nickel	20,000 PCS
A2550-GP-H	FFC WIRE	-----	Phosphor Bronze	Gold over Nickel	20,000 PCS

A2550 SERIES

2.54mm pitch FFC Crimp Flex connector

A2550-T-CR

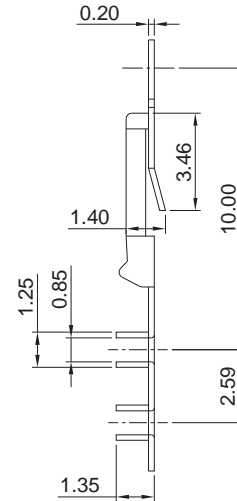
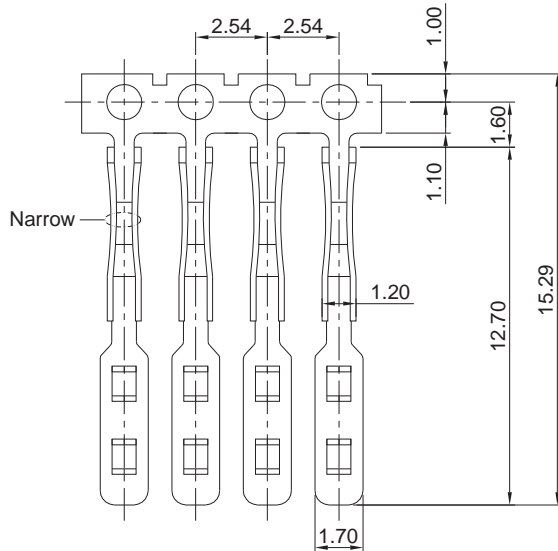
2.54mm Pitch Low insertion Force Crimp Terminal

Reference Informations:

*Used in A2550 series Housing

Use With CJT A2550 series Housing :

Single Row	A2550H, A2550HA, A2550HB, A2550H-A
	A2550H-B, A2550H-C, A2550H-C1, A2550H-D
	A2550H-E, A2550H-F, A2550H-J
Dual Row	A2550H-2, A2550HA-2



Ordering information & Specifications:

Unit:mm

Part NO.	Wire Range	Insulation O.D.	Material	Finish	Qty/reel
A2550-TP-CR	FFC WIRE	-----	Phosphor Bronze	Tin over Nickel	20,000 PCS
A2550-GP-CR	FFC WIRE	-----	Phosphor Bronze	Gold over Nickel	20,000 PCS

Optional Gold plating available but MOQ requested

A2550-T-H-CR

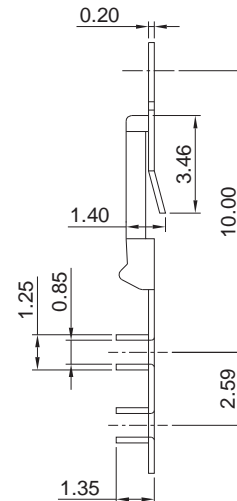
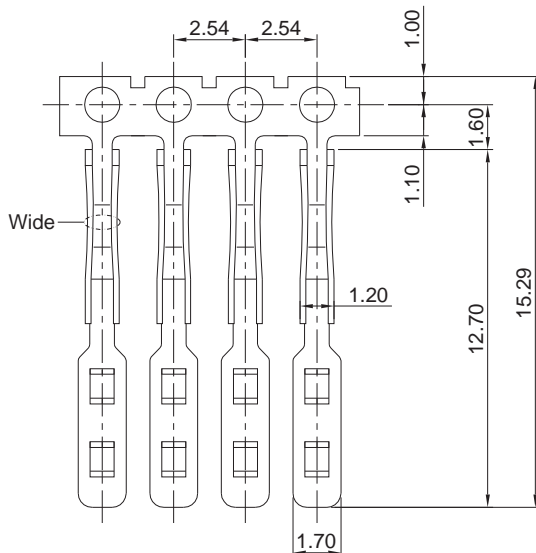
2.54mm Pitch High Insertion Force Crimp Terminal

Reference Informations:

*Used in A2550 series Housing

Use With CJT A2550 series Housing :

Single Row	A2550H, A2550HA, A2550HB, A2550H-A
	A2550H-B, A2550H-C, A2550H-C1, A2550H-D
	A2550H-E, A2550H-F, A2550H-J
Dual Row	A2550H-2, A2550HA-2



Ordering information & Specifications:

Unit:mm

Part NO.	Wire Range	Insulation O.D.	Material	Finish	Qty/reel
A2550-TP-H-CR	FFC WIRE	-----	Phosphor Bronze	Tin over Nickel	20,000 PCS
A2550-GP-H-CR	FFC WIRE	-----	Phosphor Bronze	Gold over Nickel	20,000 PCS

A2550 SERIES

2.54mm pitch FFC Crimp Flex connector

A2550-T-A

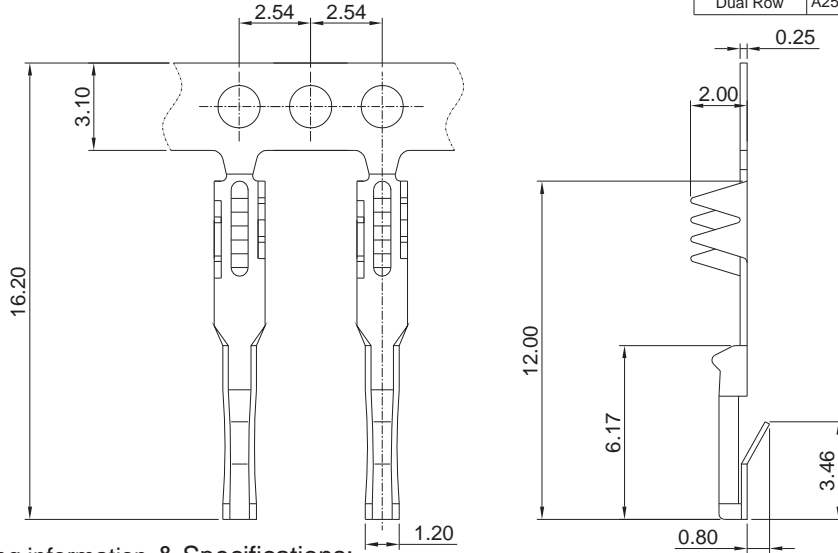
2.54mm pitch Crimp Flex Terminal

Reference Informations:

*Used in A2550 series Housing

Use With CJT A2550 series Housing :

Single Row	A2550H, A2550HA, A2550HB, A2550H-A A2550H-B, A2550H-C, A2550H-C1, A2550H-D A2550H-E, A2550H-F, A2550H-J
Dual Row	A2550H-2, A2550HA-2



Ordering information & Specifications:

Part NO.	Wire Range	Insulation O.D.	Material	Finish	Qty/reel
A2550-TP-A	FFC WIRE	-----	Phosphor Bronze	Tin over Nickel	10,000 PCS
A2550-GP-A	FFC WIRE	-----	Phosphor Bronze	Gold over Nickel	10,000 PCS

Unit:mm

Optional Gold plating available but MOQ requested

A2550-T-B

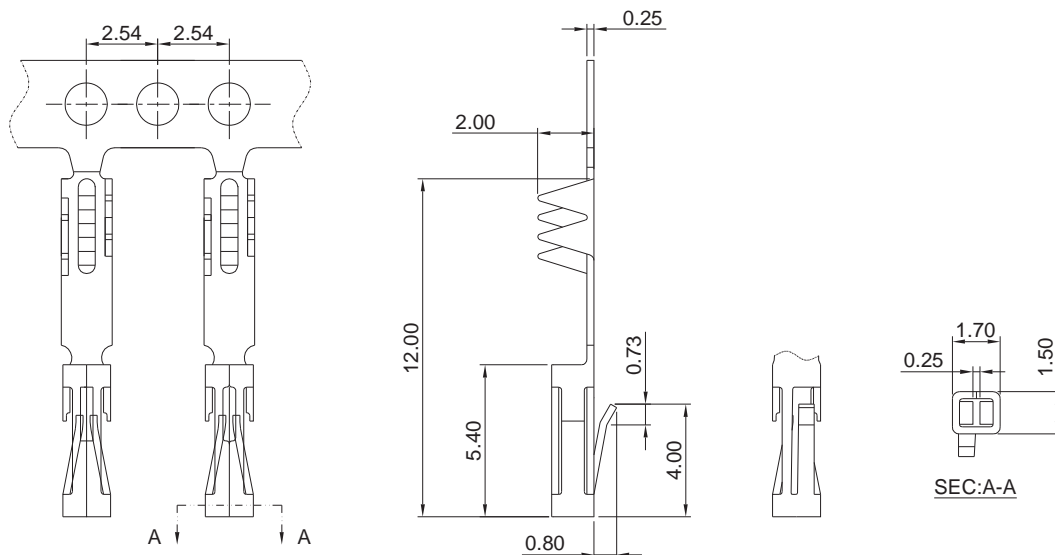
2.54mm pitch Crimp Flex Terminal

Reference Informations:

*Used in A2550 series Housing

Use With CJT A2550 series Housing :

Single Row	A2550H-G, A2550H-H, A2550H-I
------------	------------------------------



Ordering information & Specifications:

Part NO.	Wire Range	Insulation O.D.	Material	Finish	Qty/reel
A2550-TP-B	FFC WIRE	-----	Phosphor Bronze	Tin over Nickel	14,000 PCS
A2550-GP-B	FFC WIRE	-----	Phosphor Bronze	Gold over Nickel	14,000 PCS

Unit:mm

A2550 SERIES

2.54mm pitch FFC Crimp Flex connector

A2550-T-C

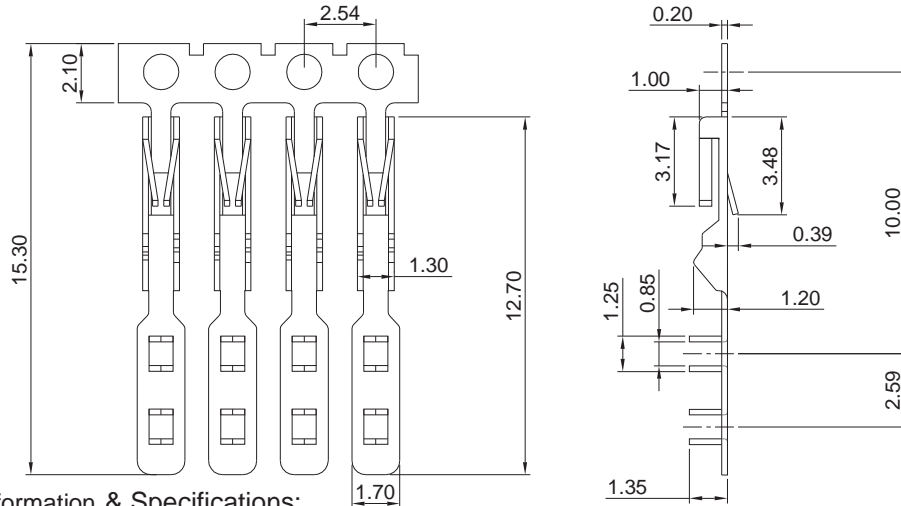
2.54mm Pitch Hi-Flex Crimp Terminal

Reference Informations:

- *Used in A2550 series Housing
- *The Hi-Flex female contact designed to offer a stable insertion force and low contact resistance over larger number of mating cycles
- *More resistant to damage by bent or angled pins, primarily on test devices

Use With CJT A2550 series Housing :

Single Row	A2550H, A2550HA, A2550HB, A2550H-A
	A2550H-B, A2550H-C, A2550H-C1, A2550H-D A2550H-E, A2550H-F, A2550H-J
Dual Row	A2550H-2, A2550HA-2



Ordering information & Specifications:

Part NO.	Wire Range	Insulation O.D.	Material	Finish	Qty/reel
A2550-TP-C	FFC WIRE	-----	Phosphor Bronze	Tin over Nickel	20,000 PCS
A2550-GP-C	FFC WIRE	-----	Phosphor Bronze	Gold over Nickel	20,000 PCS

Optional Gold plating available but MOQ requested

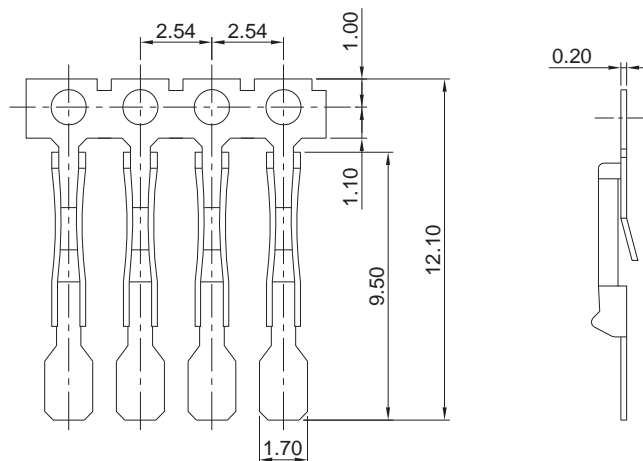
Unit:mm

A2550-T-D

2.54mm pitch Crimp Flex Terminal

Reference Informations:

- *Designed for Soldering directly to Flexible PCB or Ultra Thin Rigged PCBs



Ordering information & Specifications:

Part NO.	Wire Range	Insulation O.D.	Material	Finish	Qty/reel
A2550-TP-D	FFC WIRE	-----	Phosphor Bronze	Tin over Nickel	20,000 PCS
A2550-GP-D	FFC WIRE	-----	Phosphor Bronze	Gold over Nickel	20,000 PCS

Unit:mm

A2550 SERIES

2.54mm pitch FFC Crimp Flex connector

A2550-T-E

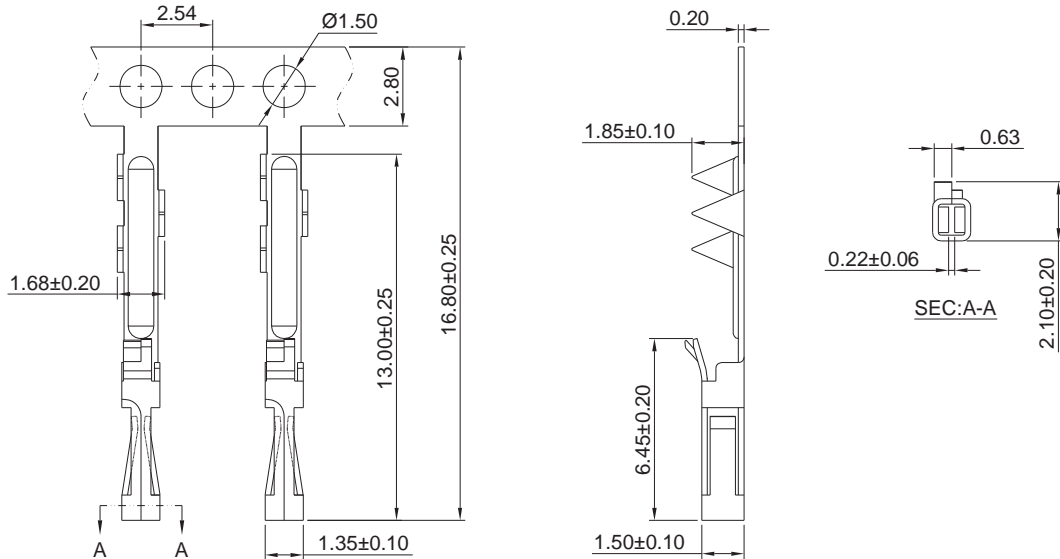
2.54mm pitch Crimp Flex Terminal

Reference Informations:

*Used in A2550 series Housing

Use With CJT A2550 series Housing :

Single Row	A2550H-M A2550H-M1 A2550H-M2
	A2550H-M3



Ordering information & Specifications:

Unit:mm

Part NO.	Wire Range	Insulation O.D.	Material	Finish	Qty/reel
A2550-TP-E	FFC WIRE	-----	Phosphor Bronze	Tin over Nickel	15,000 PCS
A2550-GP-E	FFC WIRE	-----	Phosphor Bronze	Gold over Nickel	15,000 PCS

Optional Gold plating available but MOQ requested

A2550-T-K

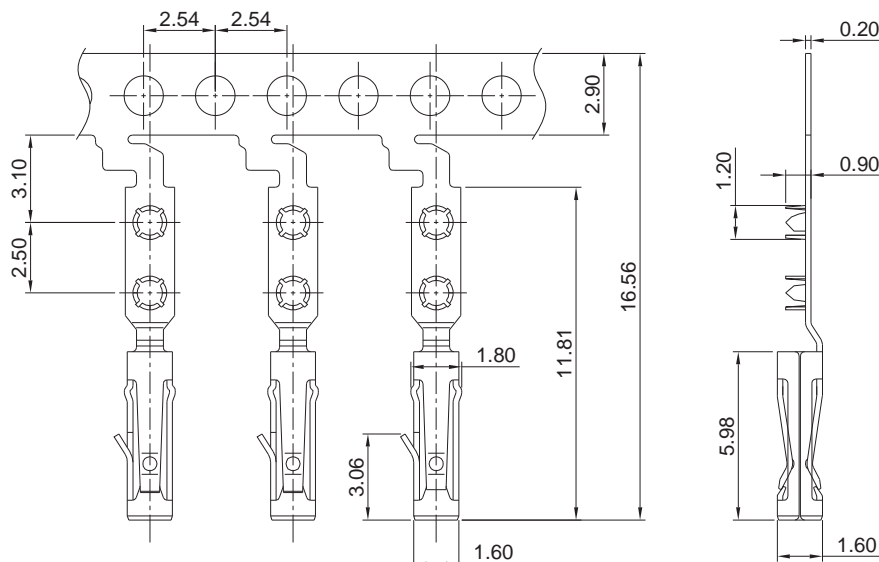
2.54mm pitch Crimp Flex Terminal

Reference Informations:

*Used in A2550HK series Housing

Use With CJT A2550 series Housing :

Single Row	A2550HK
Dual Row	A2550HK-2



Ordering information & Specifications:

Unit:mm

Part NO.	Wire Range	Insulation O.D.	Material	Finish	Qty/reel
A2550-TP-K	FFC WIRE	-----	Phosphor Bronze	Tin over Nickel	20,000 PCS
A2550-GP-K	FFC WIRE	-----	Phosphor Bronze	Gold over Nickel	20,000 PCS

A2550 SERIES

2.54mm pitch FFC Crimp Flex connector

A2550M-T

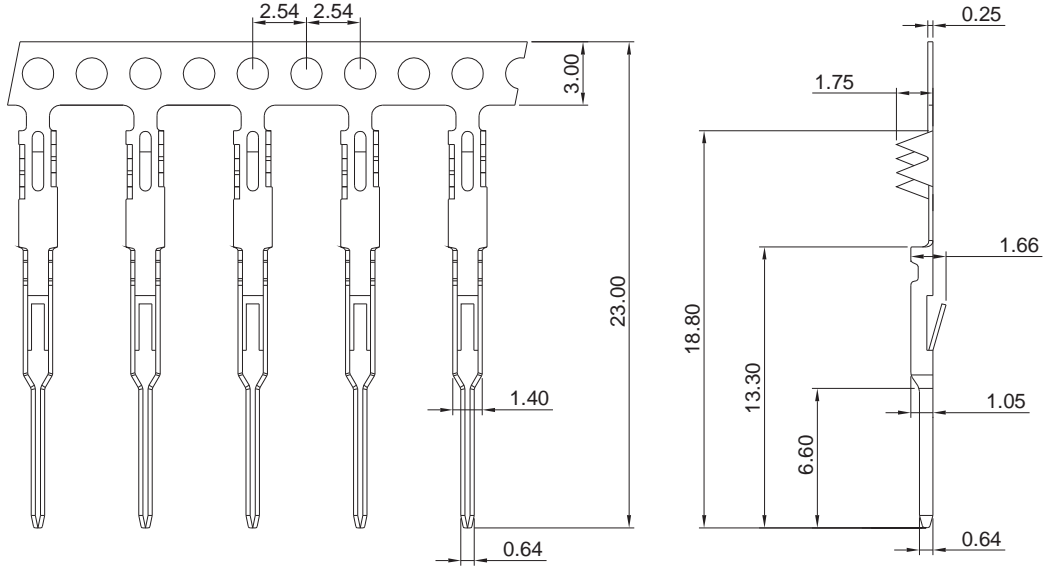
2.54mm pitch Crimp Flex Terminal

Reference Informations:

*Used in A2550 series Housing

Use With CJT A2550 series Housing :

Single Row	A2550H, A2550H-D
Dual Row	A2550H-2



Ordering information & Specifications:

Unit:mm

Part NO.	Wire Range	Insulation O.D.	Material	Finish	Qty/reel
A2550M-TP	FFC WIRE	-----	Phosphor Bronze	Tin over Nickel	10,000 PCS
A2550M-GP	FFC WIRE	-----	Phosphor Bronze	Gold over Nickel	10,000 PCS

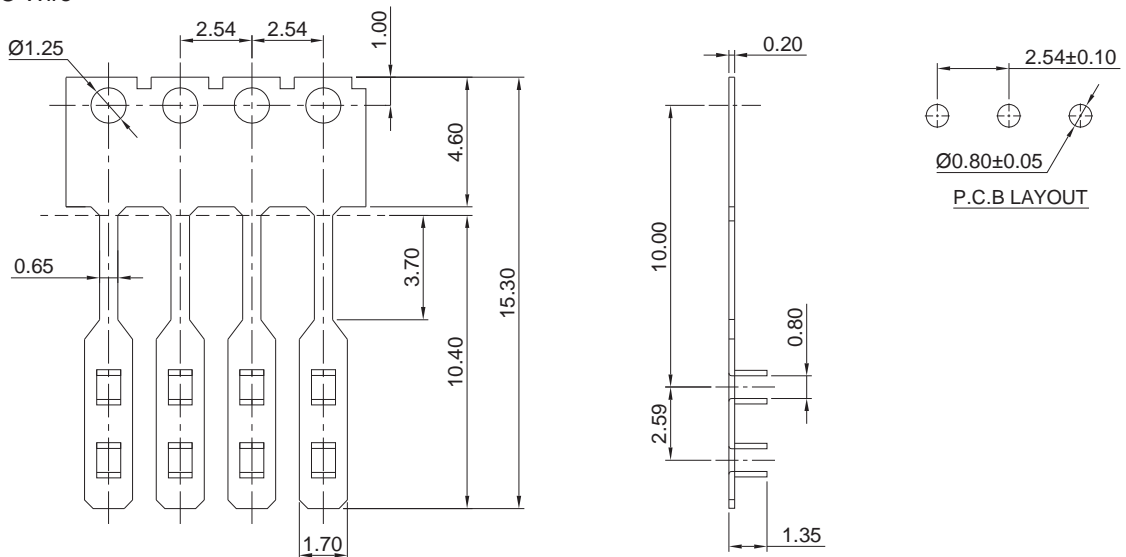
Optional Gold plating available but MOQ requested

A2550M-T-C

2.54mm pitch Crimp Flex Terminal

Reference Informations:

*Used in FFC Wire



Ordering information & Specifications:

Unit:mm

Part NO.	Wire Range	Insulation O.D.	Material	Finish	Qty/reel
A2550M-TP-C	FFC WIRE	-----	Phosphor Bronze	Tin over Nickel	20,000 PCS
A2550M-GP-C	FFC WIRE	-----	Phosphor Bronze	Gold over Nickel	20,000 PCS

A2550 SERIES

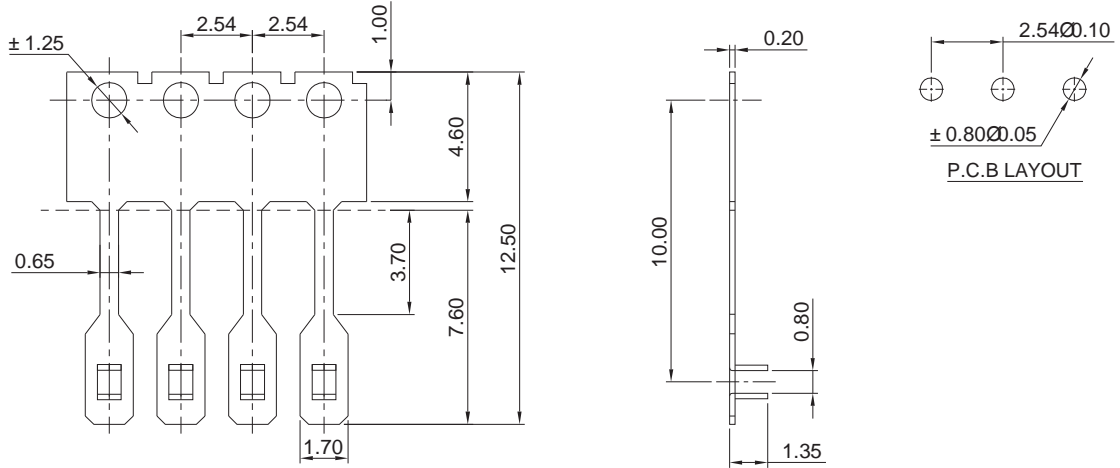
2.54mm pitch FFC Crimp Flex connector

A2550M-T-CA

2.54mm pitch Crimp Flex Terminal

Reference Informations:

*Used in FFC Wire



Ordering information & Specifications:

Unit:mm

Part NO.	Wire Range	Insulation O.D.	Material	Finish	Qty/reel
A2550M-TP-CA	FFC WIRE	-----	Phosphor Bronze	Tin over Nickel	20,000 PCS
A2550M-GP-CA	FFC WIRE	-----	Phosphor Bronze	Gold over Nickel	20,000 PCS

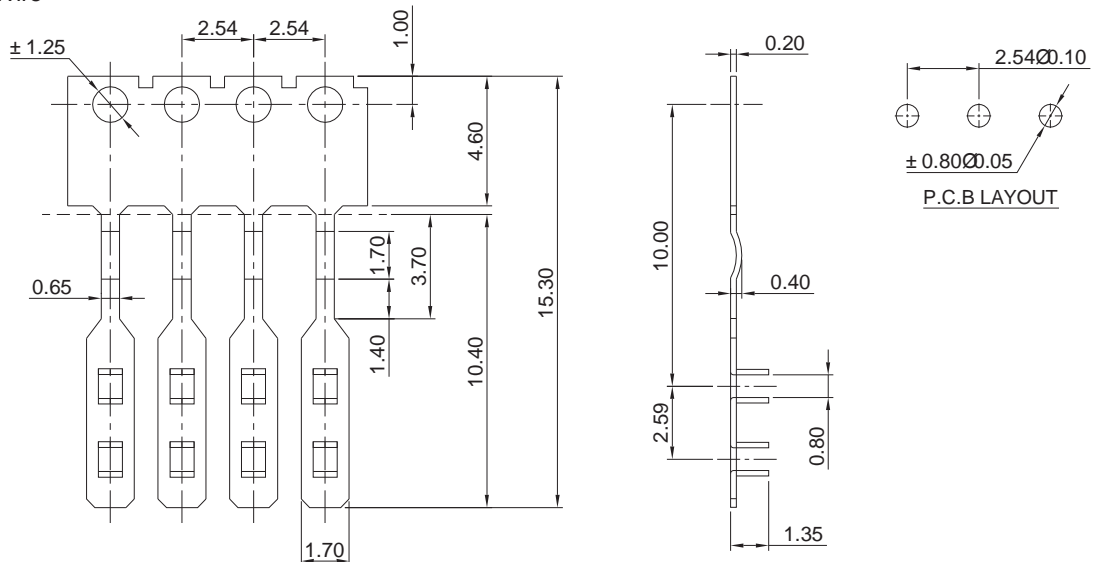
Optional Gold plating available but MOQ requested

A2550M-T-C1

2.54mm pitch Crimp Flex Terminal

Reference Informations:

*Used in FFC Wire



Ordering information & Specifications:

Unit:mm

Part NO.	Wire Range	Insulation O.D.	Material	Finish	Qty/reel
A2550M-TP-C1	FFC WIRE	-----	Phosphor Bronze	Tin over Nickel	20,000 PCS
A2550M-GP-C1	FFC WIRE	-----	Phosphor Bronze	Gold over Nickel	20,000 PCS

A2550 SERIES

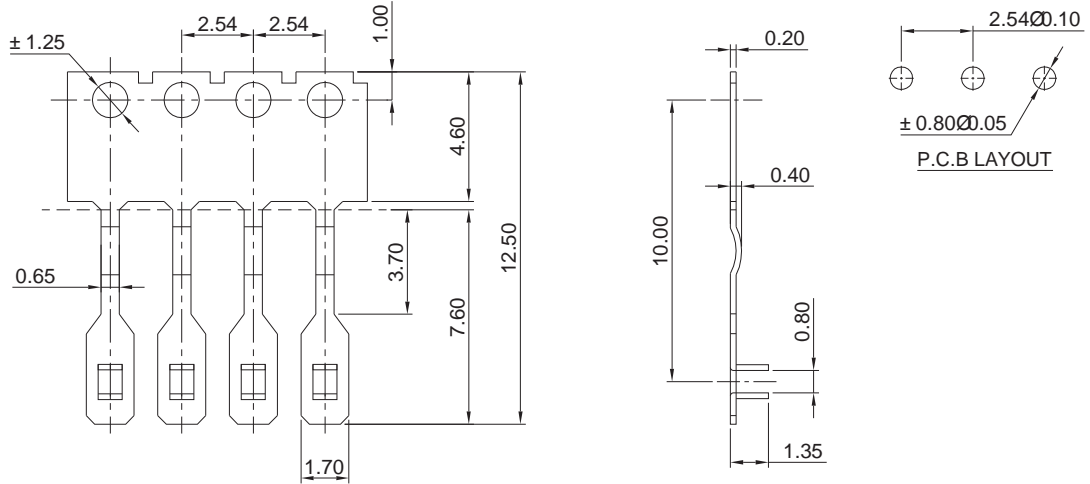
2.54mm pitch FFC Crimp Flex connector

A2550M-T-C1A

2.54mm pitch Crimp Flex Terminal

Reference Informations:

*Used in FFC Wire



Ordering information & Specifications:

Unit:mm

Part NO.	Wire Range	Insulation O.D.	Material	Finish	Qty/reel
A2550M-TP-C1A	FFC WIRE	-----	Phosphor Bronze	Tin over Nickel	20,000 PCS
A2550M-GP-C1A	FFC WIRE	-----	Phosphor Bronze	Gold over Nickel	20,000 PCS

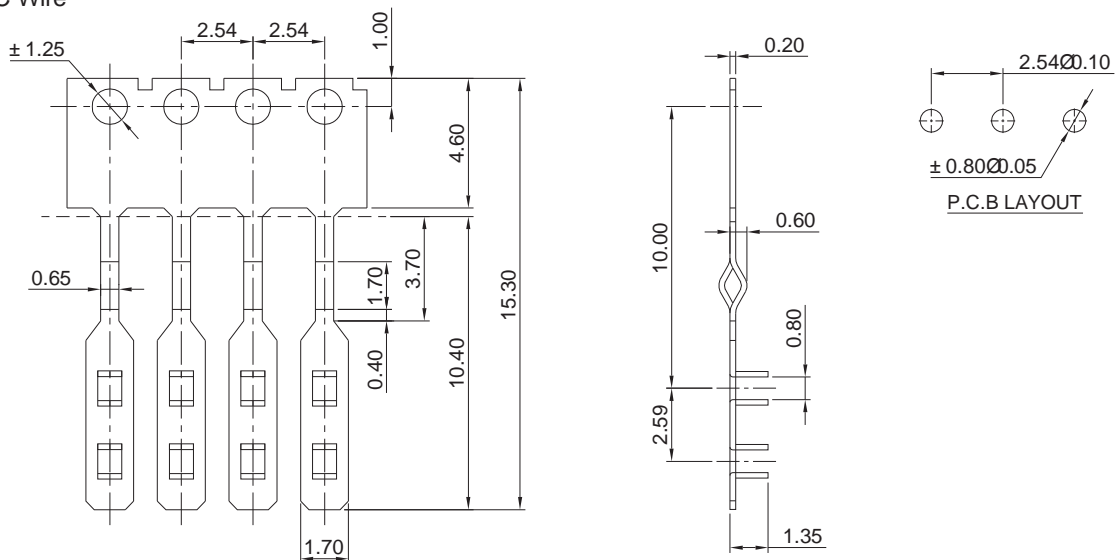
Optional Gold plating available but MOQ requested

A2550M-T-C2

2.54mm pitch Crimp Flex Terminal

Reference Informations:

*Used in FFC Wire



Ordering information & Specifications:

Unit:mm

Part NO.	Wire Range	Insulation O.D.	Material	Finish	Qty/reel
A2550M-TP-C2	FFC WIRE	-----	Phosphor Bronze	Tin over Nickel	20,000 PCS
A2550M-GP-C2	FFC WIRE	-----	Phosphor Bronze	Gold over Nickel	20,000 PCS

A2550 SERIES

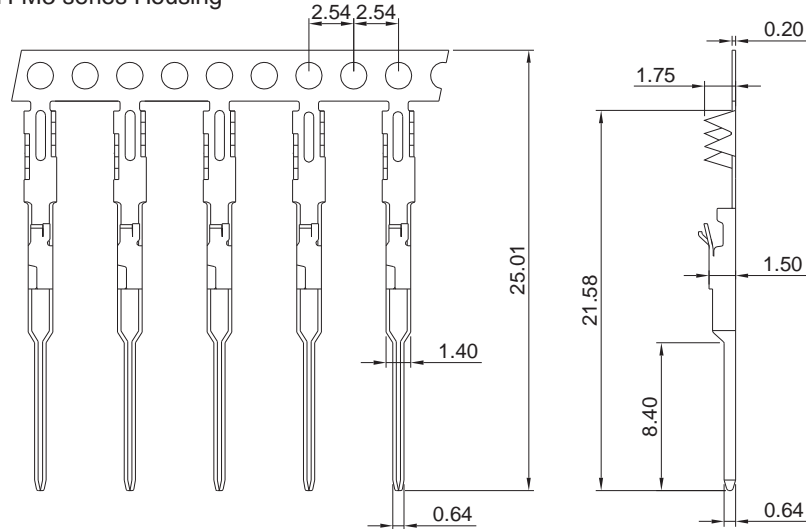
2.54mm pitch FFC Crimp Flex connector

A2550M-T-D

2.54mm pitch Crimp Flex Terminal

Reference Informations:

*Used in A2550HM A2550HMA
A2550H-M1 A2550H-M3 series Housing



Ordering information & Specifications:

Unit:mm

Part NO.	Wire Range	Insulation O.D.	Material	Finish	Qty/reel
A2550M-TP-D	FFC WIRE	-----	Phosphor Bronze	Tin over Nickel	10,000 PCS
A2550M-GP-D	FFC WIRE	-----	Phosphor Bronze	Gold over Nickel	10,000 PCS

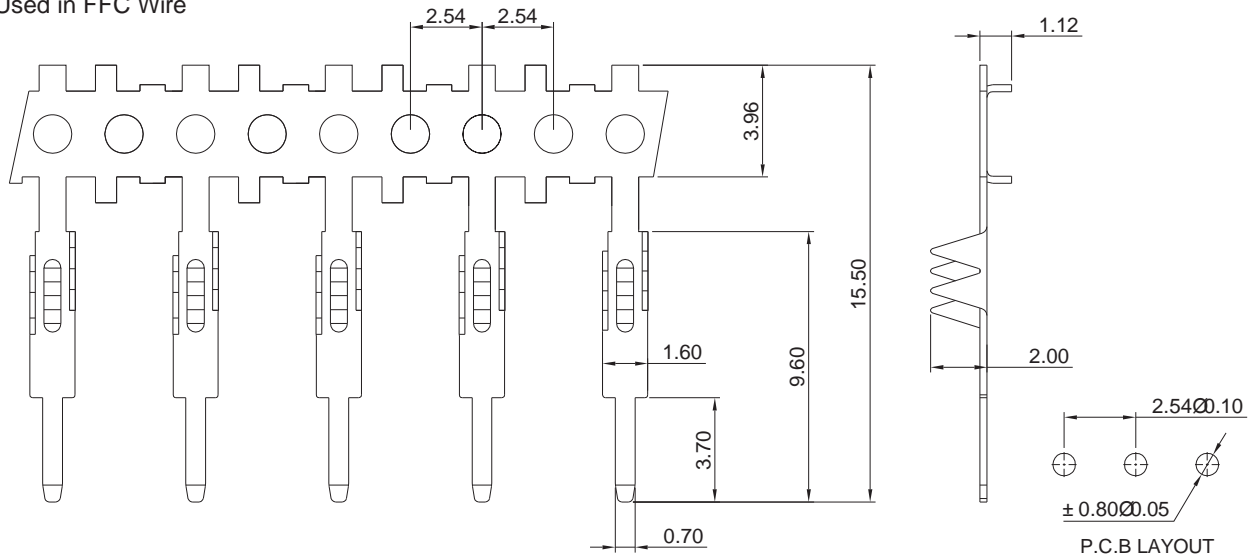
Optional Gold plating available but MOQ requested

A2550M-T-E

2.54mm pitch Crimp Flex Terminal

Reference Informations:

*Used in FFC Wire



Ordering information & Specifications:

Unit:mm

Part NO.	Wire Range	Insulation O.D.	Material	Finish	Qty/reel
A2550M-TP-E	FFC WIRE	-----	Phosphor Bronze	Tin over Nickel	10,000 PCS
A2550M-GP-E	FFC WIRE	-----	Phosphor Bronze	Gold over Nickel	10,000 PCS

A2550 SERIES

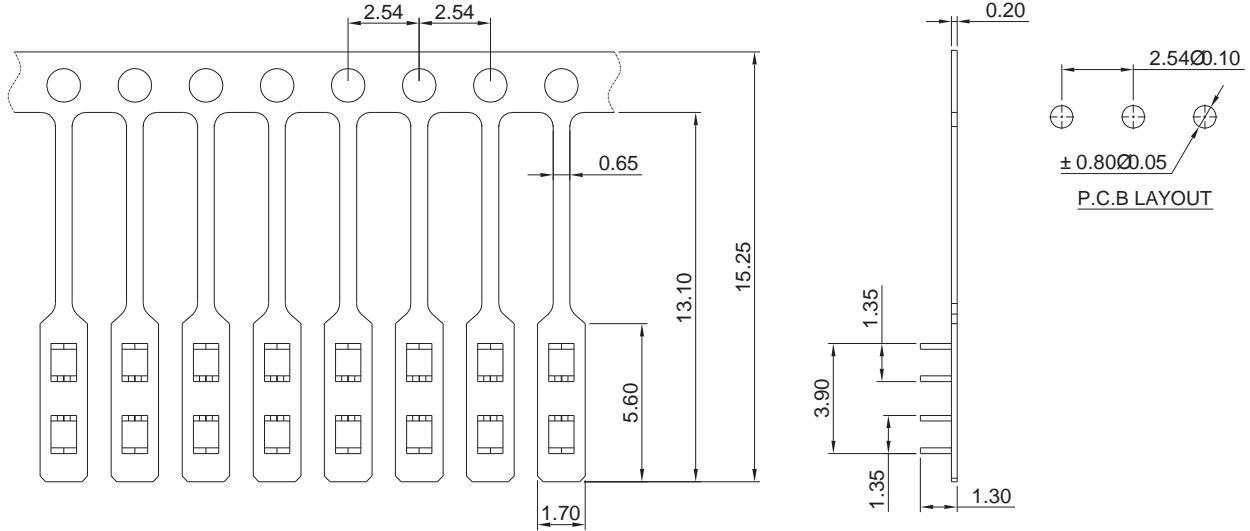
2.54mm pitch FFC Crimp Flex connector

A2550M-T-F

2.54mm pitch Crimp Flex Terminal

Reference Informations:

*Used in FFC Wire



Ordering information & Specifications:

Unit:mm

Part NO.	Wire Range	Insulation O.D.	Material	Finish	Qty/reel
A2550M-TP-F	FFC WIRE	-----	Phosphor Bronze	Tin over Nickel	20,000 PCS
A2550M-GP-F	FFC WIRE	-----	Phosphor Bronze	Gold over Nickel	20,000 PCS

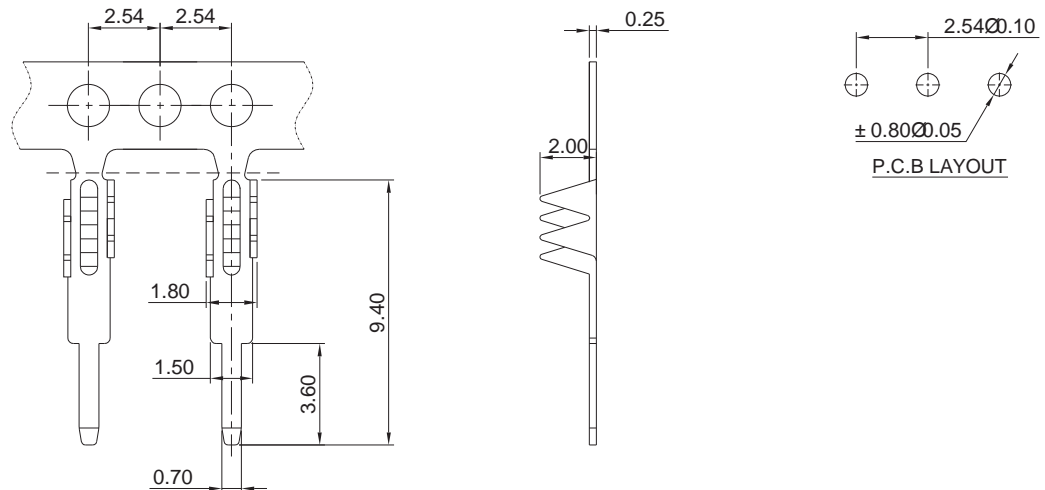
Optional Gold plating available but MOQ requested

A2550M-T-G

2.54mm pitch Crimp Flex Terminal

Reference Informations:

*Used in FFC Wire



Ordering information & Specifications:

Unit:mm

Part NO.	Wire Range	Insulation O.D.	Material	Finish	Qty/reel
A2550M-TP-G	FFC WIRE	-----	Phosphor Bronze	Tin over Nickel	20,000 PCS
A2550M-GP-G	FFC WIRE	-----	Phosphor Bronze	Gold over Nickel	20,000 PCS

A2550 SERIES

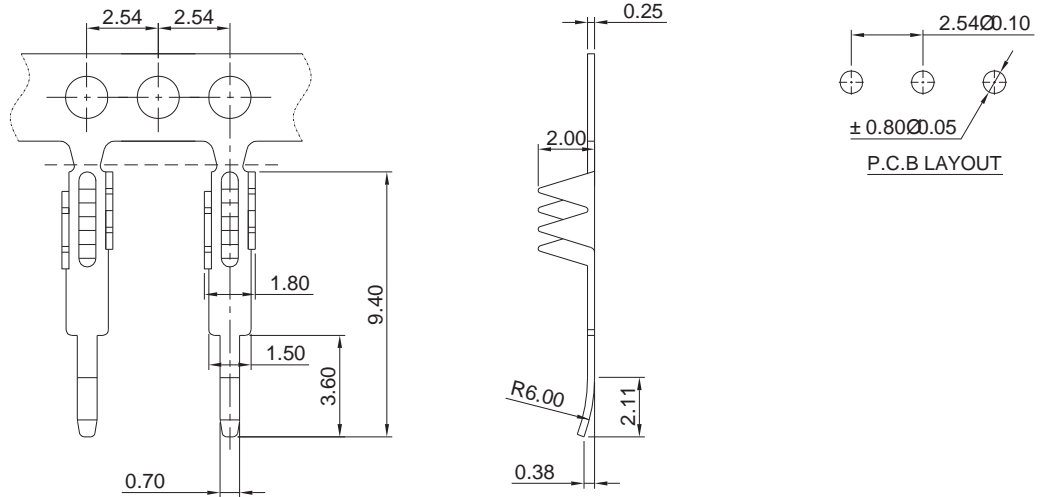
2.54mm pitch FFC Crimp Flex connector

A2550MA-T-G

2.54mm pitch Crimp Flex Terminal

Reference Informations:

*Used in FFC Wire



Ordering information & Specifications:

Unit:mm

Part NO.	Wire Range	Insulation O.D.	Material	Finish	Qty/reel
A2550MA-TP-G	FFC WIRE	-----	Phosphor Bronze	Tin over Nickel	20,000 PCS
A2550MA-GP-G	FFC WIRE	-----	Phosphor Bronze	Gold over Nickel	20,000 PCS

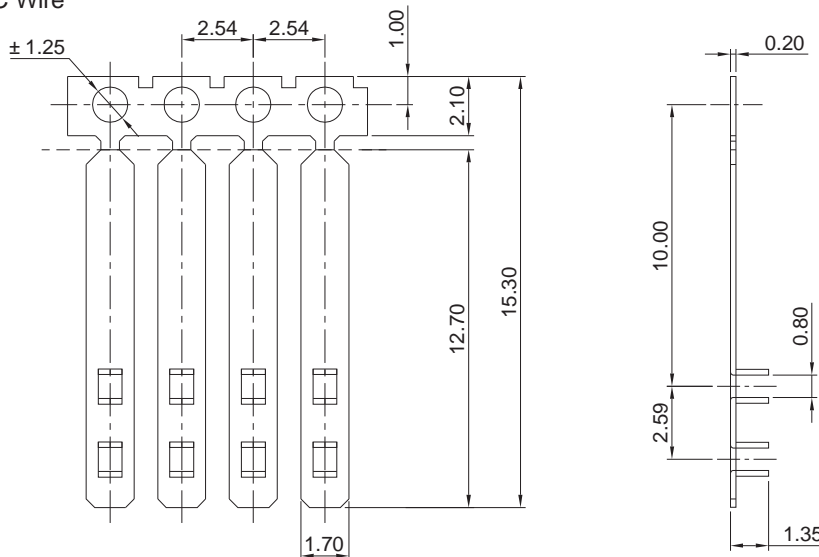
Optional Gold plating available but MOQ requested

A2550M-T-J

2.54mm pitch Crimp Flex Terminal

Reference Informations:

*Used in FFC Wire



Ordering information & Specifications:

Unit:mm

Part NO.	Wire Range	Insulation O.D.	Material	Finish	Qty/reel
A2550M-TP-J	FFC WIRE	-----	Phosphor Bronze	Tin over Nickel	20,000 PCS
A2550M-GP-J	FFC WIRE	-----	Phosphor Bronze	Gold over Nickel	20,000 PCS

A2550 SERIES

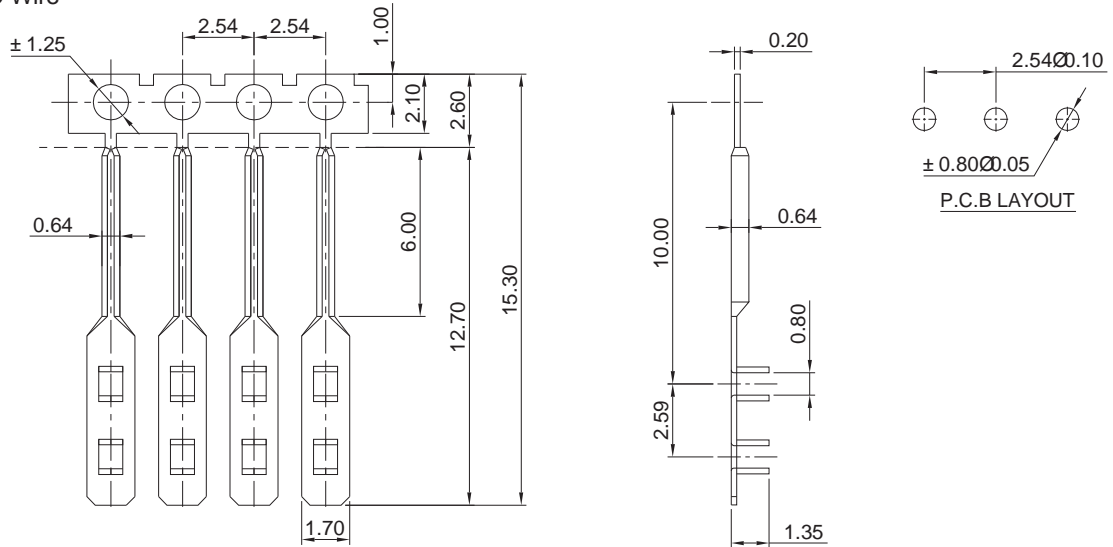
2.54mm pitch FFC Crimp Flex connector

A2550M-T-K

2.54mm pitch Crimp Flex Terminal

Reference Informations:

*Used in FFC Wire



Ordering information & Specifications:

Unit:mm

Part NO.	Wire Range	Insulation O.D.	Material	Finish	Qty/reel
A2550M-TP-K	FFC WIRE	-----	Phosphor Bronze	Tin over Nickel	20,000 PCS
A2550M-GP-K	FFC WIRE	-----	Phosphor Bronze	Gold over Nickel	20,000 PCS

Optional Gold plating available but MOQ requested

A2550H

2.54mm Pitch Crimp Flex Housing

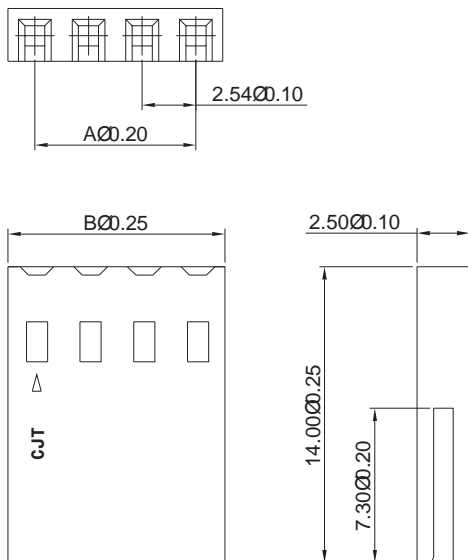
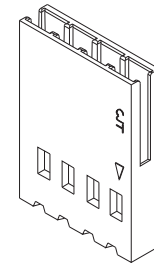
Reference Informations:

*Material:PBT30%GF,UL94V-0

*Suitable A2550 series Terminal (A2550-T(-H), A2550-T(-H)-CR, A2550-T-A, A2550-T-C, A2550M-T)

*Mates with A2541 series Wafer

*Color:Black



Ordering Information & Dimensions:

PART NO.	Dimensions		PART NO.	Dimensions	
	A	B		A	B
A2550H-2P	2.54	5.08	A2550H-20P	48.26	50.80
A2550H-3P	5.08	7.62	A2550H-21P	50.80	53.34
A2550H-4P	7.62	10.16	A2550H-22P	53.34	55.88
A2550H-5P	10.16	12.70	A2550H-23P	55.88	58.42
A2550H-6P	12.70	15.24	A2550H-24P	58.42	60.96
A2550H-7P	15.24	17.78	A2550H-25P	60.96	63.50
A2550H-8P	17.78	20.32	A2550H-26P	63.50	66.04
A2550H-9P	20.32	22.86	A2550H-27P	66.04	68.58
A2550H-10P	22.86	25.40	A2550H-28P	68.58	71.12
A2550H-11P	25.40	27.94	A2550H-29P	71.12	73.66
A2550H-12P	27.94	30.48	A2550H-30P	73.66	76.20
A2550H-13P	30.48	33.02	A2550H-31P	76.20	78.74
A2550H-14P	33.02	35.56	A2550H-32P	78.74	81.28
A2550H-15P	35.56	38.10	A2550H-33P	81.28	83.82
A2550H-16P	38.10	40.64	A2550H-34P	83.82	86.36
A2550H-17P	40.64	43.18	A2550H-35P	86.36	88.90
A2550H-18P	43.18	45.72	A2550H-36P	88.90	91.44
A2550H-19P	45.72	48.26			

Unit: mm

A2550 SERIES

2.54mm pitch FFC Crimp Flex connector

A2550HH

2.54mm Pitch Crimp Flex Housing

Reference Informations:

- *Material: PBT30%GF, UL94V-0
- *Suitable A2550 series Terminal (A2550-T(-H), A2550-T(-H)-CR, A2550-T-A, A2550-T-C, A2550M-T)
- *Mates with A2541 series Wafer
- *Color: Black



Ordering Information & Dimensions:

PART NO.	Dimensions	
	A	B
A2550HH-2P	5.08	5.08
A2550HH-3P	5.08	7.62
A2550HH-4P	7.62	10.16
A2550HH-5P	10.16	12.70
A2550HH-6P	12.70	15.24
A2550HH-7P	15.24	17.78
A2550HH-8P	17.78	20.32
A2550HH-9P	20.32	22.86
A2550HH-10P	22.86	25.40
A2550HH-11P	25.40	27.94
A2550HH-12P	27.94	30.48
A2550HH-13P	30.48	33.02
A2550HH-14P	33.02	35.56
A2550HH-15P	35.56	38.10
A2550HH-16P	38.10	40.64
A2550HH-17P	40.64	43.18
A2550HH-18P	43.18	45.72
A2550HH-19P	45.72	48.26
A2550HH-20P	48.26	50.80
A2550HH-21P	50.80	53.34
A2550HH-22P	53.34	55.88
A2550HH-23P	55.88	58.42
A2550HH-24P	58.42	60.96
A2550HH-25P	60.96	63.50

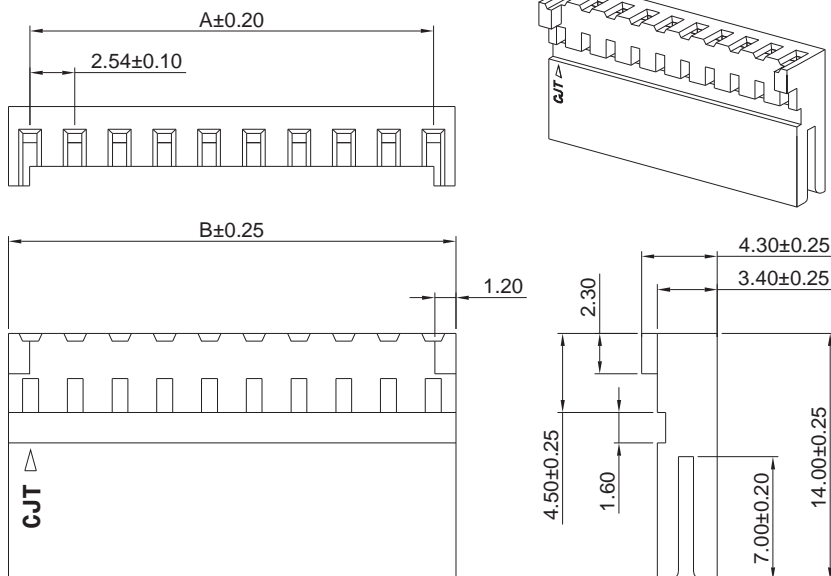
Unit: mm

A2550HA

2.54mm Pitch Crimp Flex Housing

Reference Informations:

- *Material: PBT30%GF, UL94V-0
- *Suitable A2550 series Terminal (A2550-T(-H), A2550-T(-H)-CR, A2550-T-A, A2550-T-C,)
- *Mates with A2549 series Single Row Wafer (A2549WVB, A2549WRB)
- *Color: Black



Ordering Information & Dimensions:

PART NO.	Dimensions	
	A	B
A2550HA-2P	2.54	5.08
A2550HA-3P	5.08	7.62
A2550HA-4P	7.62	10.16
A2550HA-5P	10.16	12.70
A2550HA-6P	12.70	15.24
A2550HA-7P	15.24	17.78
A2550HA-8P	17.78	20.32
A2550HA-9P	20.32	22.86
A2550HA-10P	22.86	25.40
A2550HA-11P	25.40	27.94
A2550HA-12P	27.94	30.48
A2550HA-13P	30.48	33.02
A2550HA-14P	33.02	35.56
A2550HA-15P	35.56	38.10
A2550HA-16P	38.10	40.64
A2550HA-17P	40.64	43.18
A2550HA-18P	43.18	45.72
A2550HA-19P	45.72	48.26
A2550HA-20P	48.26	50.80
A2550HA-21P	50.80	53.34
A2550HA-22P	53.34	55.88
A2550HA-23P	55.88	58.42
A2550HA-24P	58.42	60.96
A2550HA-25P	60.96	63.50

Unit: mm

A2550 SERIES

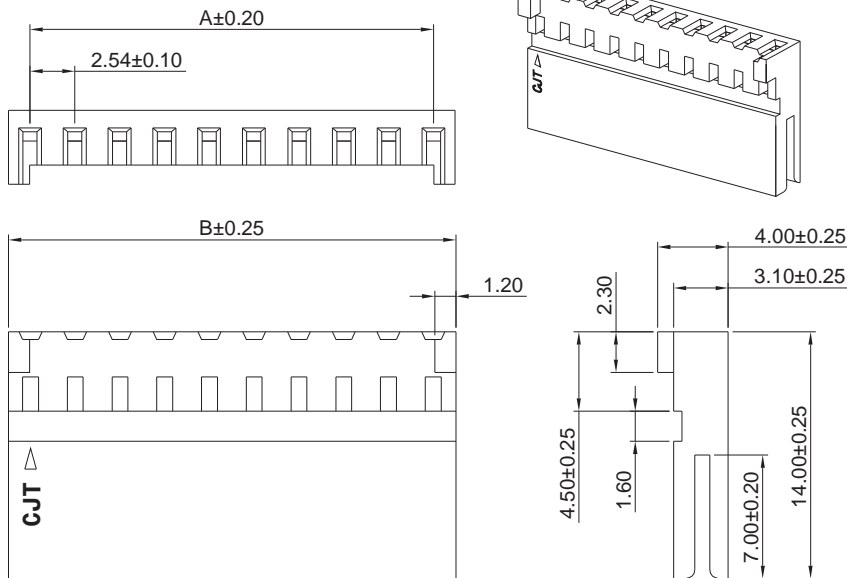
2.54mm pitch FFC Crimp Flex connector

A2550HB

2.54mm Pitch Crimp Flex Housing

Reference Informations:

- *Material: PBT30%GF, UL94V-0
- *Suitable A2550 series Terminal (A2550-T(-H), A2550-T(-H)-CR, A2550-T-A, A2550-T-C,)
- *Mates with A2549 series Single Row Wafer (A2549WVB, A2549WRB)
- *Color: Black



Ordering Information & Dimensions:

PART NO.	Dimensions	
	A	B
A2550HB-2P	2.54	5.08
A2550HB-3P	5.08	7.62
A2550HB-4P	7.62	10.16
A2550HB-5P	10.16	12.70
A2550HB-6P	12.70	15.24
A2550HB-7P	15.24	17.78
A2550HB-8P	17.78	20.32
A2550HB-9P	20.32	22.86
A2550HB-10P	22.86	25.40
A2550HB-11P	25.40	27.94
A2550HB-12P	27.94	30.48
A2550HB-13P	30.48	33.02
A2550HB-14P	33.02	35.56
A2550HB-15P	35.56	38.10
A2550HB-16P	38.10	40.64
A2550HB-17P	40.64	43.18
A2550HB-18P	43.18	45.72
A2550HB-19P	45.72	48.26
A2550HB-20P	48.26	50.80
A2550HB-21P	50.80	53.34
A2550HB-22P	53.34	55.88
A2550HB-23P	55.88	58.42
A2550HB-24P	58.42	60.96
A2550HB-25P	60.96	63.50

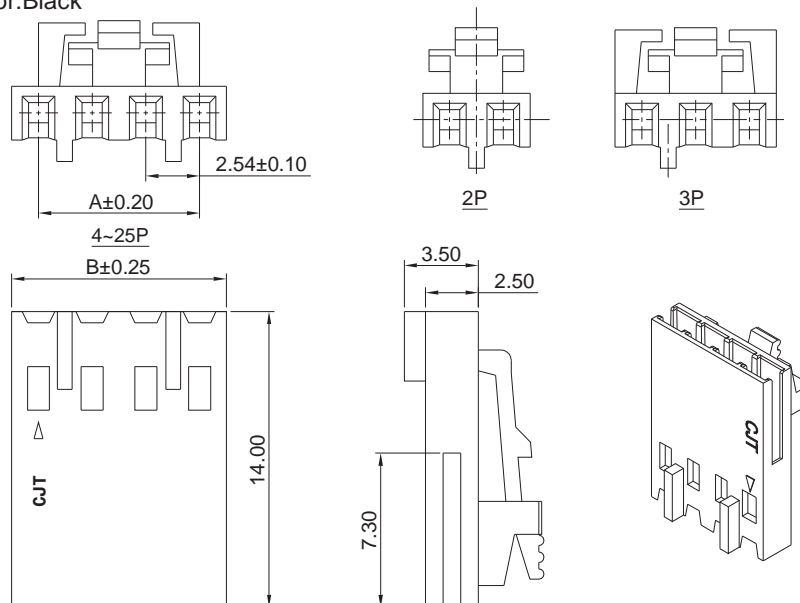
Unit: mm

A2550H-A

2.54mm Pitch Crimp Flex Housing

Reference Informations:

- *Material: PBT30%GF, UL94V-0
- *Suitable A2550 series Terminal (A2550-T(-H), A2550-T(-H)-CR, A2550-T-A, A2550-T-C)
- *Mates with A2550HM, A2547HM series Housing or A2547WVA, A2547WRA series Wafer
- *Color: Black



Ordering Information & Dimensions:

PART NO.	Dimensions	
	A	B
A2550H-2P-A	2.54	5.08
A2550H-3P-A	5.08	7.62
A2550H-4P-A	7.62	10.16
A2550H-5P-A	10.16	12.70
A2550H-6P-A	12.70	15.24
A2550H-7P-A	15.24	17.78
A2550H-8P-A	17.78	20.32
A2550H-9P-A	20.32	22.86
A2550H-10P-A	22.86	25.40
A2550H-11P-A	25.40	27.94
A2550H-12P-A	27.94	30.48
A2550H-13P-A	30.48	33.02
A2550H-14P-A	33.02	35.56
A2550H-15P-A	35.56	38.10
A2550H-16P-A	38.10	40.64
A2550H-17P-A	40.64	43.18
A2550H-18P-A	43.18	45.72
A2550H-19P-A	45.72	48.26
A2550H-20P-A	48.26	50.80
A2550H-21P-A	50.80	53.34
A2550H-22P-A	53.34	55.88
A2550H-23P-A	55.88	58.42
A2550H-24P-A	58.42	60.96
A2550H-25P-A	60.96	63.50

Unit: mm

A2550 SERIES

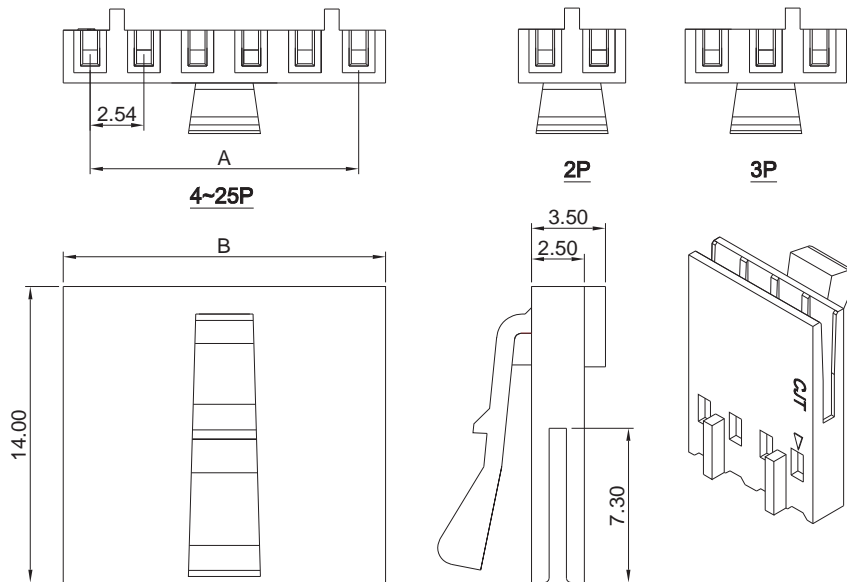
2.54mm pitch FFC Crimp Flex connector

A2550H-A1

2.54mm Pitch Crimp Flex Housing

Reference Informations:

- *Material: PBT30%GF, UL94V-0
- *Suitable A2550 series Terminal (A2550-T(-H), A2550-T(-H)-CR, A2550-T-A, A2550-T-C)
- *Mates with A2550HM, A2547HM series Housing or A2547WVA, A2547WRA series Wafer
- *Color: Black



Ordering Information & Dimensions:

PART NO.	Dimensions	
	A	B
A2550H-2P-A1	2.54	5.08
A2550H-3P-A1	5.08	7.62
A2550H-4P-A1	7.62	10.16
A2550H-5P-A1	10.16	12.70
A2550H-6P-A1	12.70	15.24
A2550H-7P-A1	15.24	17.78
A2550H-8P-A1	17.78	20.32
A2550H-9P-A1	20.32	22.86
A2550H-10P-A1	22.86	25.40
A2550H-11P-A1	25.40	27.94
A2550H-12P-A1	27.94	30.48
A2550H-13P-A1	30.48	33.02
A2550H-14P-A1	33.02	35.56
A2550H-15P-A1	35.56	38.10
A2550H-16P-A1	38.10	40.64
A2550H-17P-A1	40.64	43.18
A2550H-18P-A1	43.18	45.72
A2550H-19P-A1	45.72	48.26
A2550H-20P-A1	48.26	50.80
A2550H-21P-A1	50.80	53.34
A2550H-22P-A1	53.34	55.88
A2550H-23P-A1	55.88	58.42
A2550H-24P-A1	58.42	60.96
A2550H-25P-A1	60.96	63.50

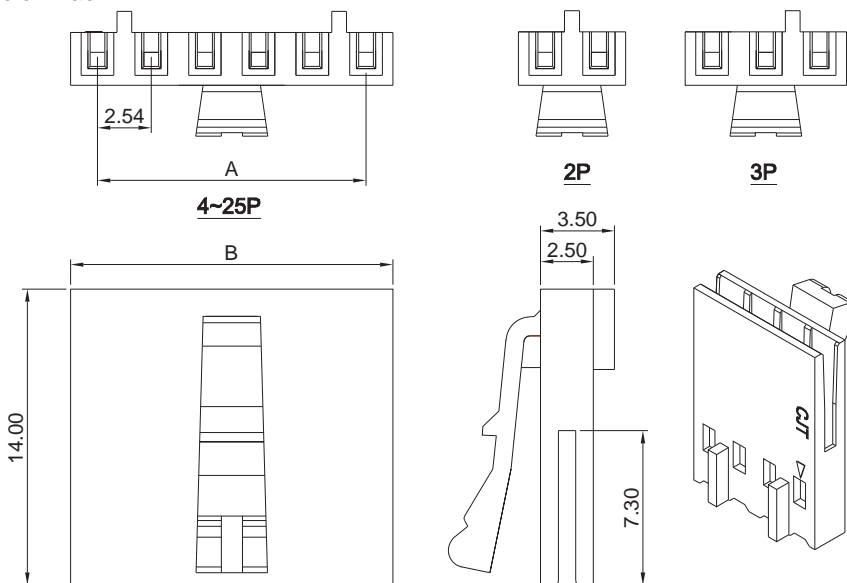
Unit: mm

A2550H-A2

2.54mm Pitch Crimp Flex Housing

Reference Informations:

- *Material: PBT30%GF, UL94V-0
- *Suitable A2550 series Terminal (A2550-T(-H), A2550-T(-H)-CR, A2550-T-A, A2550-T-C)
- *Mates with A2550HM, A2547HM series Housing or A2547WVA, A2547WRA series Wafer
- *Color: Black



Ordering Information & Dimensions:

PART NO.	Dimensions	
	A	B
A2550H-2P-A2	2.54	5.08
A2550H-3P-A2	5.08	7.62
A2550H-4P-A2	7.62	10.16
A2550H-5P-A2	10.16	12.70
A2550H-6P-A2	12.70	15.24
A2550H-7P-A2	15.24	17.78
A2550H-8P-A2	17.78	20.32
A2550H-9P-A2	20.32	22.86
A2550H-10P-A2	22.86	25.40
A2550H-11P-A2	25.40	27.94
A2550H-12P-A2	27.94	30.48
A2550H-13P-A2	30.48	33.02
A2550H-14P-A2	33.02	35.56
A2550H-15P-A2	35.56	38.10
A2550H-16P-A2	38.10	40.64
A2550H-17P-A2	40.64	43.18
A2550H-18P-A2	43.18	45.72
A2550H-19P-A2	45.72	48.26
A2550H-20P-A2	48.26	50.80
A2550H-21P-A2	50.80	53.34
A2550H-22P-A2	53.34	55.88
A2550H-23P-A2	55.88	58.42
A2550H-24P-A2	58.42	60.96
A2550H-25P-A2	60.96	63.50

Unit: mm

A2550 SERIES

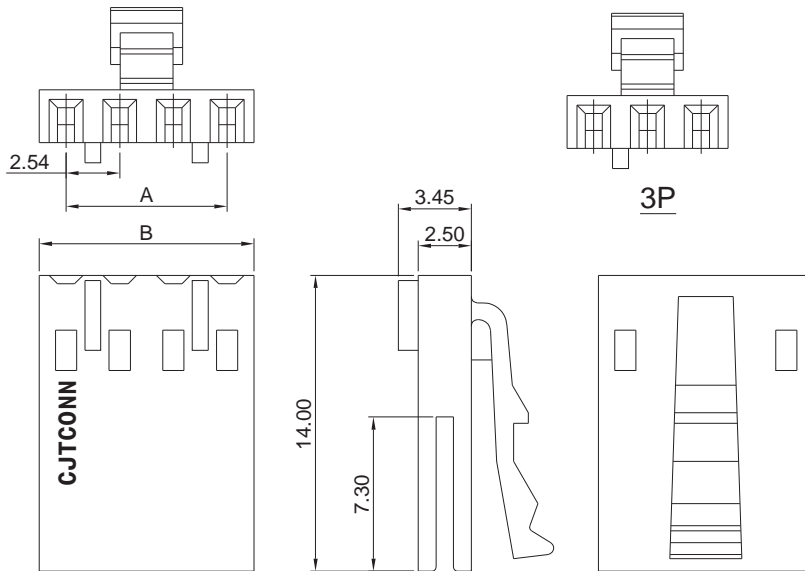
2.54mm pitch FFC Crimp Flex connector

A2550H-A2H

2.54mm Pitch Crimp Flex Housing

Reference Informations:

- *Material: PBT30%GF, UL94V-0
- *Suitable A2550 series Terminal (A2550-T(-H), A2550-T(-H)-CR, A2550-T-A, A2550-T-C)
- *Mates with A2550HM, A2547HM series Housing or A2547WVA, A2547WRA series Wafer
- *Color: Black



Ordering Information & Dimensions:

PART NO.	Dimensions	
	A	B
A2550H-3P-A2H	5.08	7.62
A2550H-4P-A2H	7.62	10.16
A2550H-5P-A2H	10.16	12.70
A2550H-6P-A2H	12.70	15.24
A2550H-7P-A2H	15.24	17.78
A2550H-8P-A2H	17.78	20.32
A2550H-9P-A2H	20.32	22.86
A2550H-10P-A2H	22.86	25.40
A2550H-11P-A2H	25.40	27.94
A2550H-12P-A2H	27.94	30.48
A2550H-13P-A2H	30.48	33.02
A2550H-14P-A2H	33.02	35.56
A2550H-15P-A2H	35.56	38.10
A2550H-16P-A2H	38.10	40.64
A2550H-17P-A2H	40.64	43.18
A2550H-18P-A2H	43.18	45.72
A2550H-19P-A2H	45.72	48.26
A2550H-20P-A2H	48.26	50.80
A2550H-21P-A2H	50.80	53.34
A2550H-22P-A2H	53.34	55.88
A2550H-23P-A2H	55.88	58.42
A2550H-24P-A2H	58.42	60.96
A2550H-25P-A2H	60.96	63.50

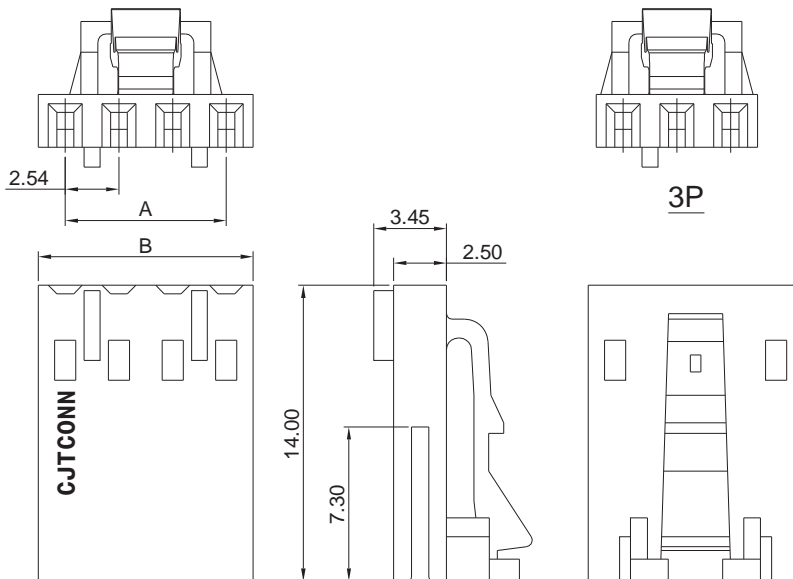
Unit: mm

A2550H-A3H

2.54mm Pitch Crimp Flex Housing

Reference Informations:

- *Material: PBT30%GF, UL94V-0
- *Suitable A2550 series Terminal (A2550-T(-H), A2550-T(-H)-CR, A2550-T-A, A2550-T-C)
- *Mates with A2550HM, A2547HM series Housing or A2547WVA, A2547WRA series Wafer
- *Color: Black



Ordering Information & Dimensions:

PART NO.	Dimensions	
	A	B
A2550H-3P-A3H	5.08	7.62
A2550H-4P-A3H	7.62	10.16
A2550H-5P-A3H	10.16	12.70
A2550H-6P-A3H	12.70	15.24
A2550H-7P-A3H	15.24	17.78
A2550H-8P-A3H	17.78	20.32
A2550H-9P-A3H	20.32	22.86
A2550H-10P-A3H	22.86	25.40
A2550H-11P-A3H	25.40	27.94
A2550H-12P-A3H	27.94	30.48
A2550H-13P-A3H	30.48	33.02
A2550H-14P-A3H	33.02	35.56
A2550H-15P-A3H	35.56	38.10
A2550H-16P-A3H	38.10	40.64
A2550H-17P-A3H	40.64	43.18
A2550H-18P-A3H	43.18	45.72
A2550H-19P-A3H	45.72	48.26
A2550H-20P-A3H	48.26	50.80
A2550H-21P-A3H	50.80	53.34
A2550H-22P-A3H	53.34	55.88
A2550H-23P-A3H	55.88	58.42
A2550H-24P-A3H	58.42	60.96
A2550H-25P-A3H	60.96	63.50

Unit: mm

A2550 SERIES

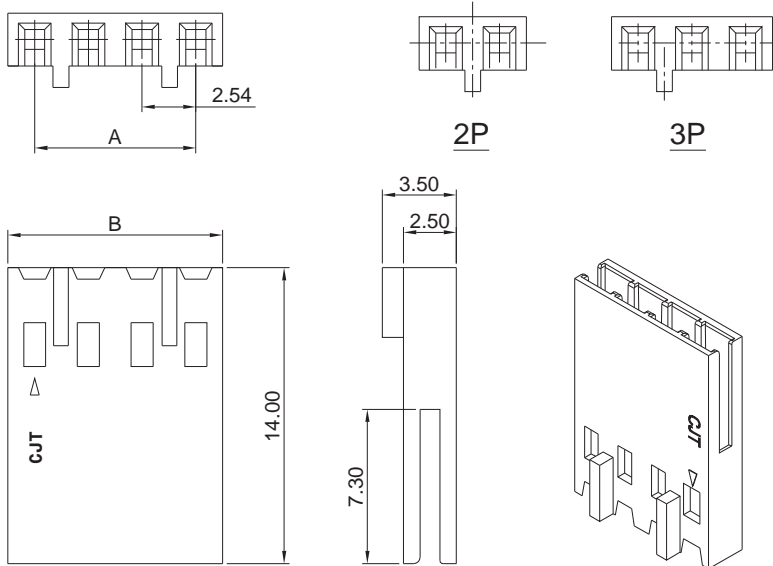
2.54mm pitch FFC Crimp Flex connector

A2550H-B

2.54mm Pitch Crimp Flex Housing

Reference Informations:

- *Material:PBT30%GF,UL94V-0
- *Suitable A2550 series Terminal (A2550-T(-H), A2550-T(-H)-CR, A2550-T-A, A2550-T-C)
- *Mates with A2547HMA series Housing or A2547 series Wafer
- *Color:Black



Ordering Information & Dimensions:

PART NO.	Dimensions	
	A	B
A2550H-2P-B	2.54	5.08
A2550H-3P-B	5.08	7.62
A2550H-4P-B	7.62	10.16
A2550H-5P-B	10.16	12.70
A2550H-6P-B	12.70	15.24
A2550H-7P-B	15.24	17.78
A2550H-8P-B	17.78	20.32
A2550H-9P-B	20.32	22.86
A2550H-10P-B	22.86	25.40
A2550H-11P-B	25.40	27.94
A2550H-12P-B	27.94	30.48
A2550H-13P-B	30.48	33.02
A2550H-14P-B	33.02	35.56
A2550H-15P-B	35.56	38.10
A2550H-16P-B	38.10	40.64
A2550H-17P-B	40.64	43.18
A2550H-18P-B	43.18	45.72
A2550H-19P-B	45.72	48.26
A2550H-20P-B	48.26	50.80
A2550H-21P-B	50.80	53.34
A2550H-22P-B	53.34	55.88
A2550H-23P-B	55.88	58.42
A2550H-24P-B	58.42	60.96
A2550H-25P-B	60.96	63.50

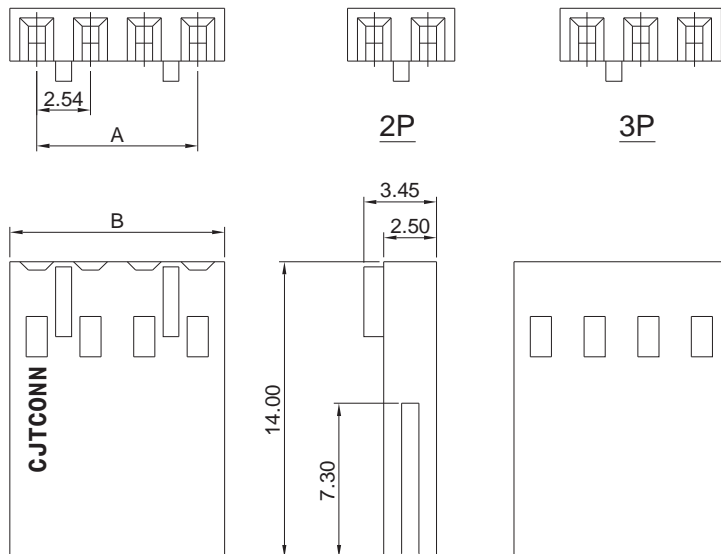
Unit: mm

A2550H-BH

2.54mm Pitch Crimp Flex Housing

Reference Informations:

- *Material:PBT30%GF,UL94V-0
- *Suitable A2550 series Terminal (A2550-T(-H), A2550-T(-H)-CR, A2550-T-A, A2550-T-C)
- *Mates with A2547HMA series Housing or A2547 series Wafer
- *Color:Black



Ordering Information & Dimensions:

PART NO.	Dimensions	
	A	B
A2550H-2P-BH	2.54	5.08
A2550H-3P-BH	5.08	7.62
A2550H-4P-BH	7.62	10.16
A2550H-5P-BH	10.16	12.70
A2550H-6P-BH	12.70	15.24
A2550H-7P-BH	15.24	17.78
A2550H-8P-BH	17.78	20.32
A2550H-9P-BH	20.32	22.86
A2550H-10P-BH	22.86	25.40
A2550H-11P-BH	25.40	27.94
A2550H-12P-BH	27.94	30.48
A2550H-13P-BH	30.48	33.02
A2550H-14P-BH	33.02	35.56
A2550H-15P-BH	35.56	38.10
A2550H-16P-BH	38.10	40.64
A2550H-17P-BH	40.64	43.18
A2550H-18P-BH	43.18	45.72
A2550H-19P-BH	45.72	48.26
A2550H-20P-BH	48.26	50.80
A2550H-21P-BH	50.80	53.34
A2550H-22P-BH	53.34	55.88
A2550H-23P-BH	55.88	58.42
A2550H-24P-BH	58.42	60.96
A2550H-25P-BH	60.96	63.50

Unit: mm

A2550 SERIES

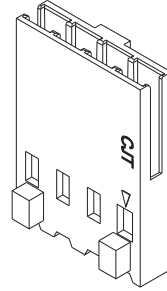
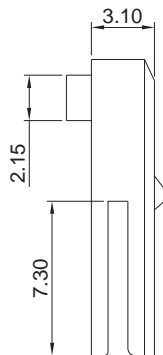
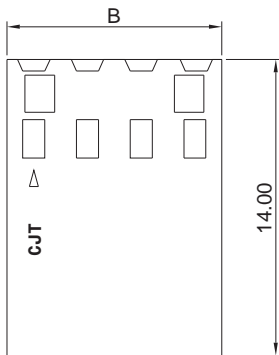
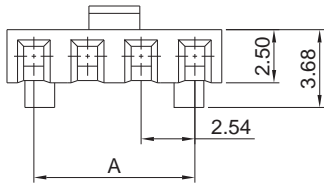
2.54mm pitch FFC Crimp Flex connector

A2550H-C

2.54mm Pitch Crimp Flex Housing

Reference Informations:

- *Material: PBT30%GF, UL94V-0
- *Suitable A2550 series Terminal (A2550-T(-H), A2550-T(-H)-CR, A2550-T-A, A2550-T-C)
- *Mates with A2549 series Wafer
- *Color: Black



Ordering Information & Dimensions:

PART NO.	Dimensions	
	A	B
A2550H-2P-C	2.54	5.08
A2550H-3P-C	5.08	7.62
A2550H-4P-C	7.62	10.16
A2550H-5P-C	10.16	12.70
A2550H-6P-C	12.70	15.24
A2550H-7P-C	15.24	17.78
A2550H-8P-C	17.78	20.32
A2550H-9P-C	20.32	22.86
A2550H-10P-C	22.86	25.40
A2550H-11P-C	25.40	27.94
A2550H-12P-C	27.94	30.48
A2550H-13P-C	30.48	33.02
A2550H-14P-C	33.02	35.56
A2550H-15P-C	35.56	38.10
A2550H-16P-C	38.10	40.64
A2550H-17P-C	40.64	43.18
A2550H-18P-C	43.18	45.72
A2550H-19P-C	45.72	48.26
A2550H-20P-C	48.26	50.80
A2550H-21P-C	50.80	53.34
A2550H-22P-C	53.34	55.88
A2550H-23P-C	55.88	58.42
A2550H-24P-C	58.42	60.96
A2550H-25P-C	60.96	63.50

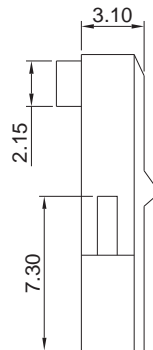
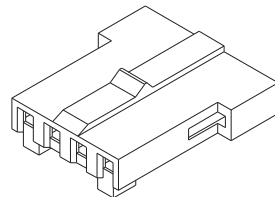
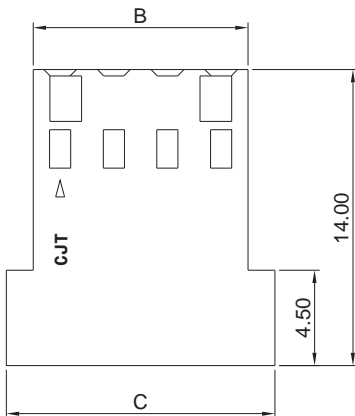
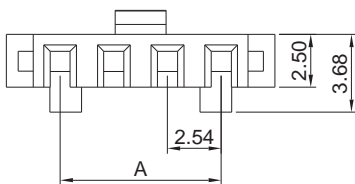
Unit: mm

A2550H-C1

2.54mm Pitch Crimp Flex Housing

Reference Informations:

- *Material: PBT30%GF, UL94V-0
- *Suitable A2550 series Terminal (A2550-T(-H), A2550-T(-H)-CR, A2550-T-A, A2550-T-C)
- *Mates with A2549 series Wafer
- *Color: Black



Ordering Information & Dimensions:

PART NO.	Dimensions		
	A	B	C
A2550H-2P-C1	2.54	5.08	7.62
A2550H-3P-C1	5.08	7.62	10.16
A2550H-4P-C1	7.62	10.16	12.70
A2550H-5P-C1	10.16	12.70	15.24
A2550H-6P-C1	12.70	15.24	17.78
A2550H-7P-C1	15.24	17.78	20.32
A2550H-8P-C1	17.78	20.32	22.86
A2550H-9P-C1	20.32	22.86	25.40
A2550H-10P-C1	22.86	25.40	27.94
A2550H-11P-C1	25.40	27.94	30.48
A2550H-12P-C1	27.94	30.48	33.02
A2550H-13P-C1	30.48	33.02	35.56
A2550H-14P-C1	33.02	35.56	38.10
A2550H-15P-C1	35.56	38.10	40.64
A2550H-16P-C1	38.10	40.64	43.18
A2550H-17P-C1	40.64	43.18	45.72
A2550H-18P-C1	43.18	45.72	48.26
A2550H-19P-C1	45.72	48.26	50.80
A2550H-20P-C1	48.26	50.80	53.34
A2550H-21P-C1	50.80	53.34	55.88
A2550H-22P-C1	53.34	55.88	58.42
A2550H-23P-C1	55.88	58.42	60.96
A2550H-24P-C1	58.42	60.96	63.50
A2550H-25P-C1	60.96	63.50	66.04

Unit: mm

A2550 SERIES

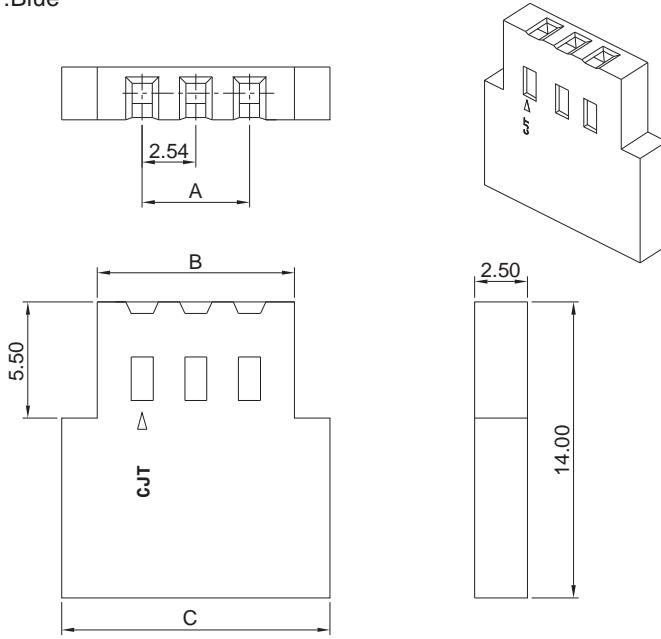
2.54mm pitch FFC Crimp Flex connector

A2550H-D

2.54mm Pitch Crimp Flex Housing

Reference Informations:

- *Material:PBT30%GF,UL94V-0
- *Suitable A2550 series Terminal(A2550-T(-H), A2550-T(-H)-CR, A2550-T-A, A2550M-T, A2550-T-C)
- *Mates with A2541 series Wafer
- *Color:Blue



Ordering Information & Dimensions:

PART NO.	Dimensions		
	A	B	C
A2550H-2P-D	2.54	6.81	9.86
A2550H-3P-D	5.08	9.35	12.40
A2550H-4P-D	7.62	11.89	14.94
A2550H-5P-D	10.16	14.43	17.48
A2550H-6P-D	12.70	16.97	20.02
A2550H-7P-D	15.24	19.51	22.56
A2550H-8P-D	17.78	22.05	25.10
A2550H-9P-D	20.32	24.59	27.64
A2550H-10P-D	22.86	27.13	30.18
A2550H-11P-D	25.40	29.67	32.72
A2550H-12P-D	27.94	32.21	35.26
A2550H-13P-D	30.48	34.75	37.80
A2550H-14P-D	33.02	37.29	40.34
A2550H-15P-D	35.56	39.83	42.88
A2550H-16P-D	38.10	42.37	45.42
A2550H-17P-D	40.64	44.91	47.96
A2550H-18P-D	43.18	47.45	50.50
A2550H-19P-D	45.72	49.99	53.04
A2550H-20P-D	48.26	52.53	55.58
A2550H-21P-D	50.80	55.07	58.12
A2550H-22P-D	53.34	57.61	60.66
A2550H-23P-D	55.88	60.15	63.20
A2550H-24P-D	58.42	62.69	65.74
A2550H-25P-D	60.96	65.23	68.28

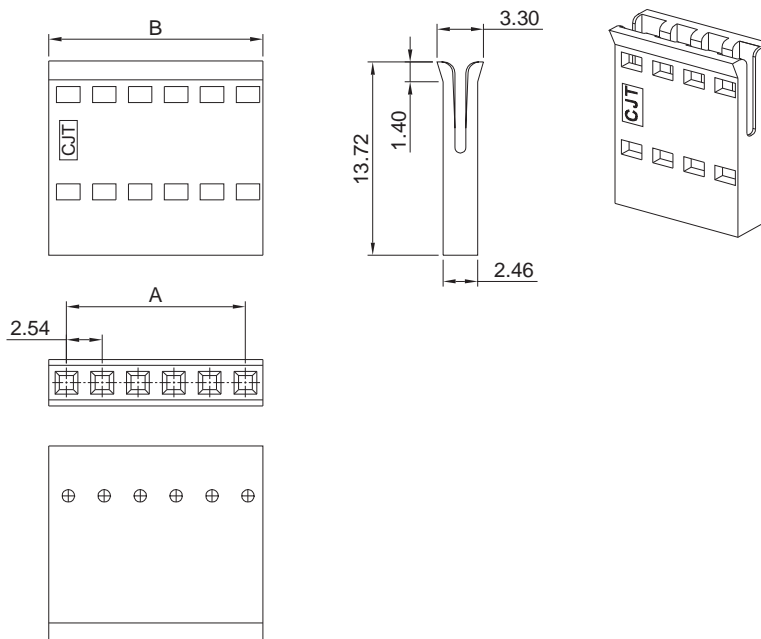
Unit: mm

A2550H-G

2.54mm Pitch Crimp Flex Housing

Reference Informations:

- *Material:PBT30%GF,UL94V-0
- *Suitable A2550 series Terminal (A2550-T-B)
- *Mates with A2541 series Wafer
- *Color:Black



Ordering Information & Dimensions:

PART NO.	Dimensions	
	A	B
A2550H-2P-G	2.54	4.92
A2550H-3P-G	5.08	7.46
A2550H-4P-G	7.62	10.00
A2550H-5P-G	10.16	12.54
A2550H-6P-G	12.70	15.08
A2550H-7P-G	15.24	17.62
A2550H-8P-G	17.78	20.16
A2550H-9P-G	20.32	22.70
A2550H-10P-G	22.86	25.24
A2550H-11P-G	25.40	27.78
A2550H-12P-G	27.94	30.32
A2550H-13P-G	30.48	32.86
A2550H-14P-G	33.02	35.40
A2550H-15P-G	35.56	37.94
A2550H-16P-G	38.10	40.48
A2550H-17P-G	40.64	43.02
A2550H-18P-G	43.18	45.56
A2550H-19P-G	45.72	48.10
A2550H-20P-G	48.26	50.64
A2550H-21P-G	50.80	53.18
A2550H-22P-G	53.34	55.72
A2550H-23P-G	55.88	58.26
A2550H-24P-G	58.42	60.80
A2550H-25P-G	60.96	63.34

Unit: mm

A2550 SERIES

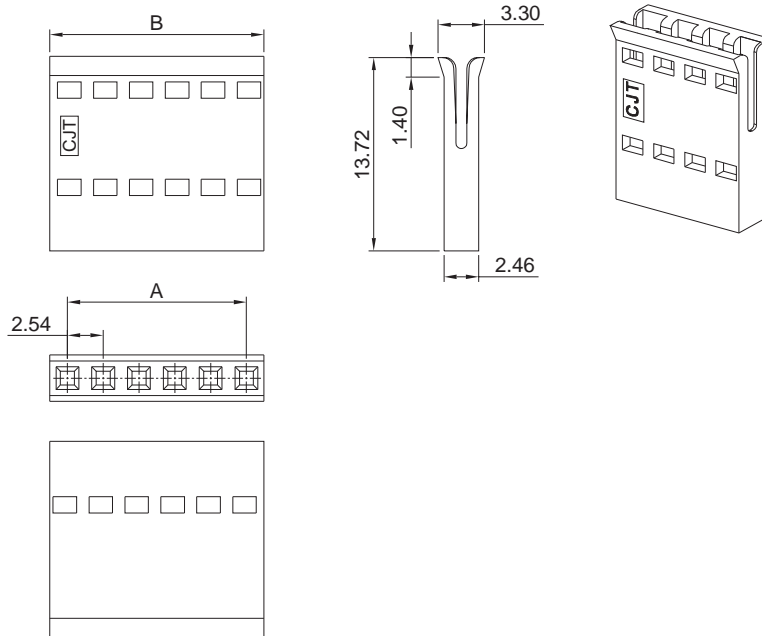
2.54mm pitch FFC Crimp Flex connector

A2550H-G1

2.54mm Pitch Crimp Flex Housing

Reference Informations:

- *Material: PBT30%GF, UL94V-0
- *Suitable A2550 series Terminal (A2550-T-B)
- *Mates with A2541 series Wafer
- *Color: Black



Ordering Information & Dimensions:

PART NO.	Dimensions	
	A	B
A2550H-2P-G1	2.54	4.92
A2550H-3P-G1	5.08	7.46
A2550H-4P-G1	7.62	10.00
A2550H-5P-G1	10.16	12.54
A2550H-6P-G1	12.70	15.08
A2550H-7P-G1	15.24	17.62
A2550H-8P-G1	17.78	20.16
A2550H-9P-G1	20.32	22.70
A2550H-10P-G1	22.86	25.24
A2550H-11P-G1	25.40	27.78
A2550H-12P-G1	27.94	30.32
A2550H-13P-G1	30.48	32.86
A2550H-14P-G1	33.02	35.40
A2550H-15P-G1	35.56	37.94
A2550H-16P-G1	38.10	40.48
A2550H-17P-G1	40.64	43.02
A2550H-18P-G1	43.18	45.56
A2550H-19P-G1	45.72	48.10
A2550H-20P-G1	48.26	50.64
A2550H-21P-G1	50.80	53.18
A2550H-22P-G1	53.34	55.72
A2550H-23P-G1	55.88	58.26
A2550H-24P-G1	58.42	60.80
A2550H-25P-G1	60.96	63.34

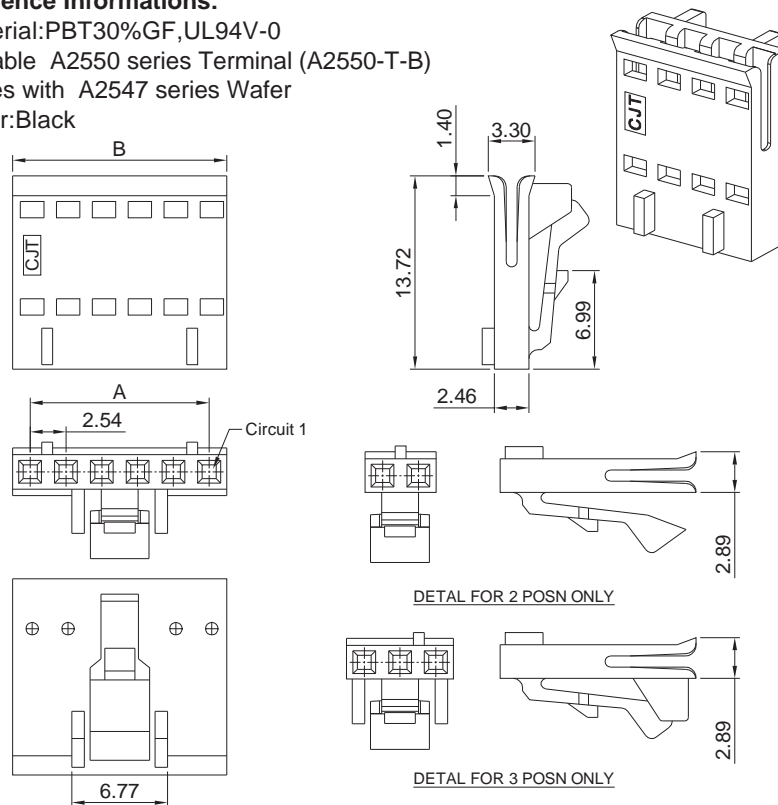
Unit: mm

A2550H-H

2.54mm Pitch Crimp Flex Housing

Reference Informations:

- *Material: PBT30%GF, UL94V-0
- *Suitable A2550 series Terminal (A2550-T-B)
- *Mates with A2547 series Wafer
- *Color: Black



Ordering Information & Dimensions:

PART NO.	Dimensions	
	A	B
A2550H-2P-H	2.54	4.92
A2550H-3P-H	5.08	7.46
A2550H-4P-H	7.62	10.00
A2550H-5P-H	10.16	12.54
A2550H-6P-H	12.70	15.08
A2550H-7P-H	15.24	17.62
A2550H-8P-H	17.78	20.16
A2550H-9P-H	20.32	22.70
A2550H-10P-H	22.86	25.24
A2550H-11P-H	25.40	27.78
A2550H-12P-H	27.94	30.32
A2550H-13P-H	30.48	32.86
A2550H-14P-H	33.02	35.40
A2550H-15P-H	35.56	37.94
A2550H-16P-H	38.10	40.48
A2550H-17P-H	40.64	43.02
A2550H-18P-H	43.18	45.56
A2550H-19P-H	45.72	48.10
A2550H-20P-H	48.26	50.64
A2550H-21P-H	50.80	53.18
A2550H-22P-H	53.34	55.72
A2550H-23P-H	55.88	58.26
A2550H-24P-H	58.42	60.80
A2550H-25P-H	60.96	63.34

Unit: mm

A2550 SERIES

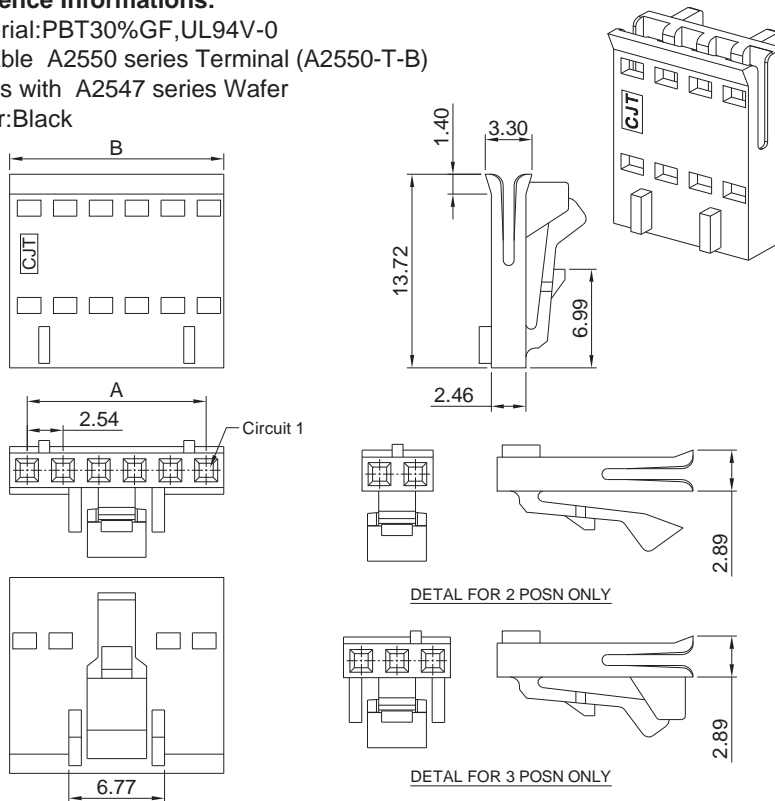
2.54mm pitch FFC Crimp Flex connector

A2550H-H1

2.54mm Pitch Crimp Flex Housing

Reference Informations:

- *Material: PBT30%GF, UL94V-0
- *Suitable A2550 series Terminal (A2550-T-B)
- *Mates with A2547 series Wafer
- *Color: Black



Ordering Information & Dimensions:

PART NO.	Dimensions	
	A	B
A2550H-2P-H1	2.54	4.92
A2550H-3P-H1	5.08	7.46
A2550H-4P-H1	7.62	10.00
A2550H-5P-H1	10.16	12.54
A2550H-6P-H1	12.70	15.08
A2550H-7P-H1	15.24	17.62
A2550H-8P-H1	17.78	20.16
A2550H-9P-H1	20.32	22.70
A2550H-10P-H1	22.86	25.24
A2550H-11P-H1	25.40	27.78
A2550H-12P-H1	27.94	30.32
A2550H-13P-H1	30.48	32.86
A2550H-14P-H1	33.02	35.40
A2550H-15P-H1	35.56	37.94
A2550H-16P-H1	38.10	40.48
A2550H-17P-H1	40.64	43.02
A2550H-18P-H1	43.18	45.56
A2550H-19P-H1	45.72	48.10
A2550H-20P-H1	48.26	50.64
A2550H-21P-H1	50.80	53.18
A2550H-22P-H1	53.34	55.72
A2550H-23P-H1	55.88	58.26
A2550H-24P-H1	58.42	60.80
A2550H-25P-H1	60.96	63.34

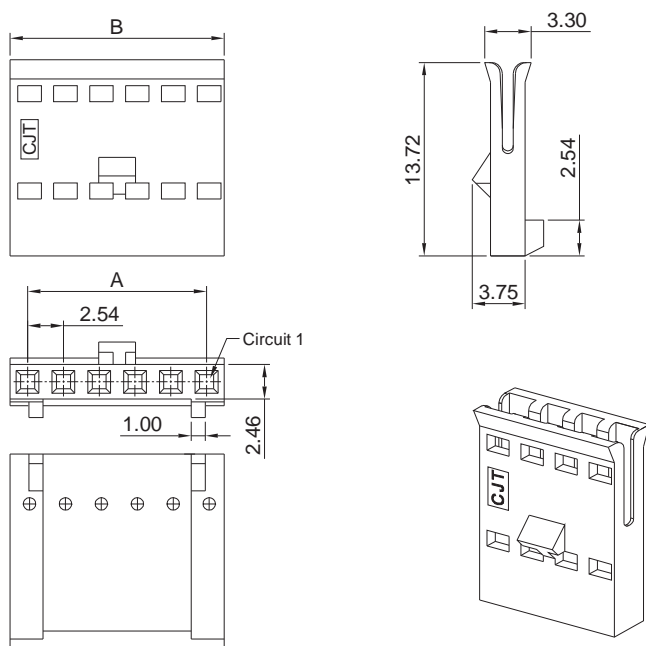
Unit: mm

A2550H-I

2.54mm Pitch Crimp Flex Housing

Reference Informations:

- *Material: PBT30%GF, UL94V-0
- *Suitable A2550 series Terminal (A2550-T-B)
- *Mates with A2549 series Wafer or A2547WVE, A2547WRE series Wafer
- *Color: Black



Ordering Information & Dimensions:

PART NO.	Dimensions	
	A	B
A2550H-2P-I	2.54	4.92
A2550H-3P-I	5.08	7.46
A2550H-4P-I	7.62	10.00
A2550H-5P-I	10.16	12.54
A2550H-6P-I	12.70	15.08
A2550H-7P-I	15.24	17.62
A2550H-8P-I	17.78	20.16
A2550H-9P-I	20.32	22.70
A2550H-10P-I	22.86	25.24
A2550H-11P-I	25.40	27.78
A2550H-12P-I	27.94	30.32
A2550H-13P-I	30.48	32.86
A2550H-14P-I	33.02	35.40
A2550H-15P-I	35.56	37.94
A2550H-16P-I	38.10	40.48
A2550H-17P-I	40.64	43.02
A2550H-18P-I	43.18	45.56
A2550H-19P-I	45.72	48.10
A2550H-20P-I	48.26	50.64
A2550H-21P-I	50.80	53.18
A2550H-22P-I	53.34	55.72
A2550H-23P-I	55.88	58.26
A2550H-24P-I	58.42	60.80
A2550H-25P-I	60.96	63.34

Unit: mm

A2550 SERIES

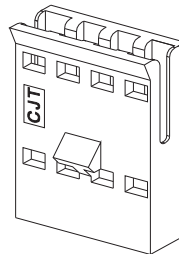
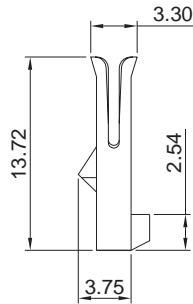
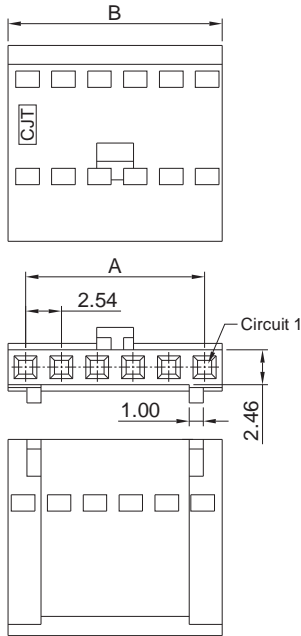
2.54mm pitch FFC Crimp Flex connector

A2550H-I1

2.54mm Pitch Crimp Flex Housing

Reference Informations:

- *Material: PBT30%GF, UL94V-0
- *Suitable A2550 series Terminal (A2550-T-B)
- *Mates with A2549 series Wafer or A2547WVE, A2547WRE series Wafer
- *Color: Black



Ordering Information & Dimensions:

PART NO.	Dimensions	
	A	B
A2550H-2P-I1	2.54	4.92
A2550H-3P-I1	5.08	7.46
A2550H-4P-I1	7.62	10.00
A2550H-5P-I1	10.16	12.54
A2550H-6P-I1	12.70	15.08
A2550H-7P-I1	15.24	17.62
A2550H-8P-I1	17.78	20.16
A2550H-9P-I1	20.32	22.70
A2550H-10P-I1	22.86	25.24
A2550H-11P-I1	25.40	27.78
A2550H-12P-I1	27.94	30.32
A2550H-13P-I1	30.48	32.86
A2550H-14P-I1	33.02	35.40
A2550H-15P-I1	35.56	37.94
A2550H-16P-I1	38.10	40.48
A2550H-17P-I1	40.64	43.02
A2550H-18P-I1	43.18	45.56
A2550H-19P-I1	45.72	48.10
A2550H-20P-I1	48.26	50.64
A2550H-21P-I1	50.80	53.18
A2550H-22P-I1	53.34	55.72
A2550H-23P-I1	55.88	58.26
A2550H-24P-I1	58.42	60.80
A2550H-25P-I1	60.96	63.34

Unit: mm

A2550HD

2.54mm Pitch Crimp Flex Housing

Reference Informations:

- *Material: Nylon 66, UL94V-0
- *Terminal Material: Phosphor Bronze/Tin over Nickel
- *Used in FFC Wire
- *Color: Blue

Ordering Information:

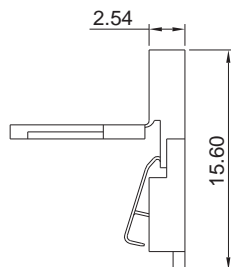
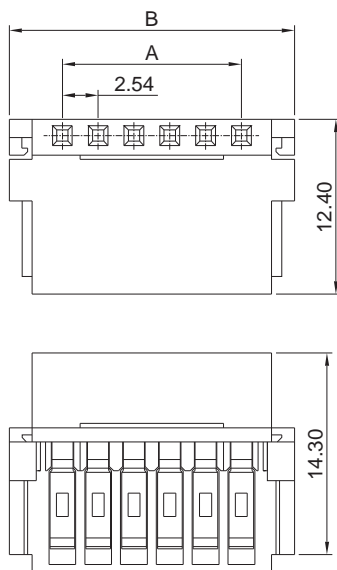
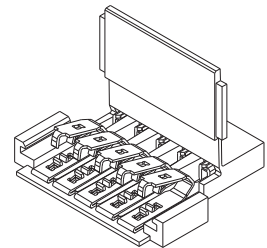
A2550HD-XP - **
1 2

1. Part No.

2. Finish:

(blank): Phosphor Bronze/Tin over Nickel

GP: Phosphor Bronze/Gold over Nickel



Ordering Information & Dimensions:

PART NO.	Dimensions		PART NO.	Dimensions	
	A	B		A	B
A2550HD-2P	2.54	10.08	A2550HD-20P	48.26	55.80
A2550HD-3P	5.08	12.62	A2550HD-21P	50.80	58.34
A2550HD-4P	7.62	15.16	A2550HD-22P	53.34	60.88
A2550HD-5P	10.16	17.70	A2550HD-23P	55.88	63.42
A2550HD-6P	12.70	20.24	A2550HD-24P	58.42	65.96
A2550HD-7P	15.24	22.78	A2550HD-25P	60.96	68.50
A2550HD-8P	17.78	25.32	A2550HD-26P	63.50	71.04
A2550HD-9P	20.32	27.86	A2550HD-27P	66.04	73.58
A2550HD-10P	22.86	30.40	A2550HD-28P	68.58	76.12
A2550HD-11P	25.40	32.94	A2550HD-29P	71.12	78.66
A2550HD-12P	27.94	35.48	A2550HD-30P	73.66	81.20
A2550HD-13P	30.48	38.02	A2550HD-31P	76.20	83.74
A2550HD-14P	33.02	40.56	A2550HD-32P	78.74	86.28
A2550HD-15P	35.56	43.10	A2550HD-33P	81.28	88.82
A2550HD-16P	38.10	45.64	A2550HD-34P	83.82	91.36
A2550HD-17P	40.64	48.18	A2550HD-35P	86.36	93.90
A2550HD-18P	43.18	50.72	A2550HD-36P	88.90	96.44
A2550HD-19P	45.72	53.26			

Unit: mm

A2550 SERIES

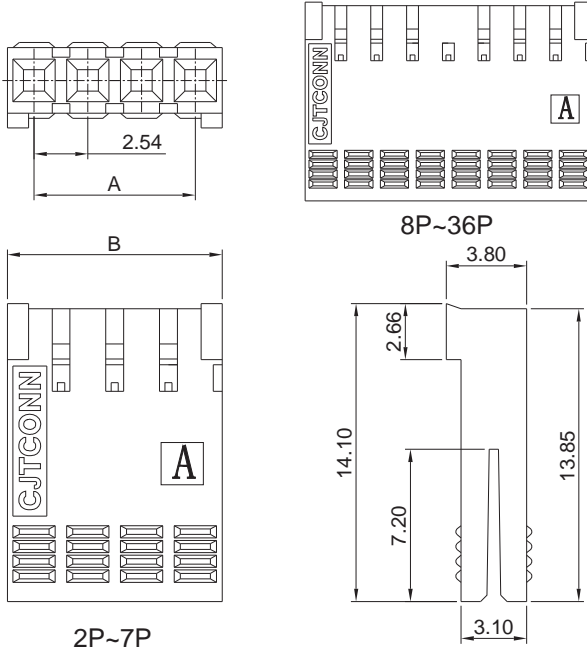
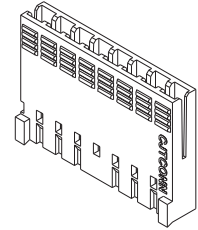
2.54mm pitch FFC Crimp Flex connector

A2550HK

2.54mm Pitch Crimp Flex Housing

Reference Informations:

- *Material:PBT30%GF,UL94V-0
- *Suitable A2550 series Terminal (A2550-T-K)
- *Color:Blue



Ordering Information & Dimensions:

PART NO.	Dimensions		PART NO.	Dimensions	
	A	B		A	B
A2550HK-2P	2.54	5.08	A2550HK-20P	48.26	50.80
A2550HK-3P	5.08	7.62	A2550HK-21P	50.80	53.34
A2550HK-4P	7.62	10.16	A2550HK-22P	53.34	55.88
A2550HK-5P	10.16	12.70	A2550HK-23P	55.88	58.42
A2550HK-6P	12.70	15.24	A2550HK-24P	58.42	60.96
A2550HK-7P	15.24	17.78	A2550HK-25P	60.96	63.50
A2550HK-8P	17.78	20.32	A2550HK-26P	63.50	66.04
A2550HK-9P	20.32	22.86	A2550HK-27P	66.04	68.58
A2550HK-10P	22.86	25.40	A2550HK-28P	68.58	71.12
A2550HK-11P	25.40	27.94	A2550HK-29P	71.12	73.66
A2550HK-12P	27.94	30.48	A2550HK-30P	73.66	76.20
A2550HK-13P	30.48	33.02	A2550HK-31P	76.20	78.74
A2550HK-14P	33.02	35.56	A2550HK-32P	78.74	81.28
A2550HK-15P	35.56	38.10	A2550HK-33P	81.28	83.82
A2550HK-16P	38.10	40.64	A2550HK-34P	83.82	86.36
A2550HK-17P	40.64	43.18	A2550HK-35P	86.36	88.90
A2550HK-18P	43.18	45.72	A2550HK-36P	88.90	91.44
A2550HK-19P	45.72	48.26			

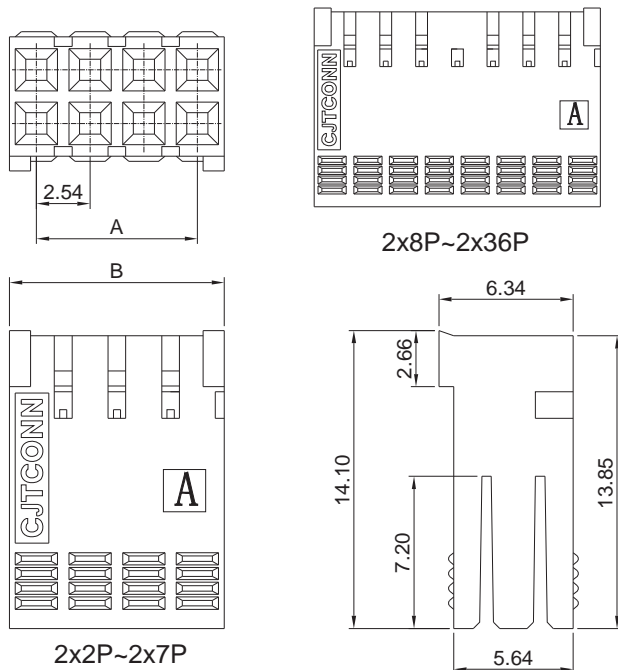
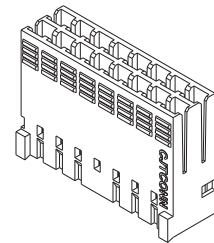
Unit: mm

A2550HK-2

2.54mm Pitch Crimp Flex Housing

Reference Informations:

- *Material:PBT30%GF,UL94V-0
- *Suitable A2550 series Terminal (A2550-T-K)
- *Color:Blue



Ordering Information & Dimensions:

PART NO.	Dimensions		PART NO.	Dimensions	
	A	B		A	B
A2550HK-2x2P	2.54	5.08	A2550HK-2x20P	48.26	50.80
A2550HK-2x3P	5.08	7.62	A2550HK-2x21P	50.80	53.34
A2550HK-2x4P	7.62	10.16	A2550HK-2x22P	53.34	55.88
A2550HK-2x5P	10.16	12.70	A2550HK-2x23P	55.88	58.42
A2550HK-2x6P	12.70	15.24	A2550HK-2x24P	58.42	60.96
A2550HK-2x7P	15.24	17.78	A2550HK-2x25P	60.96	63.50
A2550HK-2x8P	17.78	20.32	A2550HK-2x26P	63.50	66.04
A2550HK-2x9P	20.32	22.86	A2550HK-2x27P	66.04	68.58
A2550HK-2x10P	22.86	25.40	A2550HK-2x28P	68.58	71.12
A2550HK-2x11P	25.40	27.94	A2550HK-2x29P	71.12	73.66
A2550HK-2x12P	27.94	30.48	A2550HK-2x30P	73.66	76.20
A2550HK-2x13P	30.48	33.02	A2550HK-2x31P	76.20	78.74
A2550HK-2x14P	33.02	35.56	A2550HK-2x32P	78.74	81.28
A2550HK-2x15P	35.56	38.10	A2550HK-2x33P	81.28	83.82
A2550HK-2x16P	38.10	40.64	A2550HK-2x34P	83.82	86.36
A2550HK-2x17P	40.64	43.18	A2550HK-2x35P	86.36	88.90
A2550HK-2x18P	43.18	45.72	A2550HK-2x36P	88.90	91.44
A2550HK-2x19P	45.72	48.26			

Unit: mm

A2550 SERIES

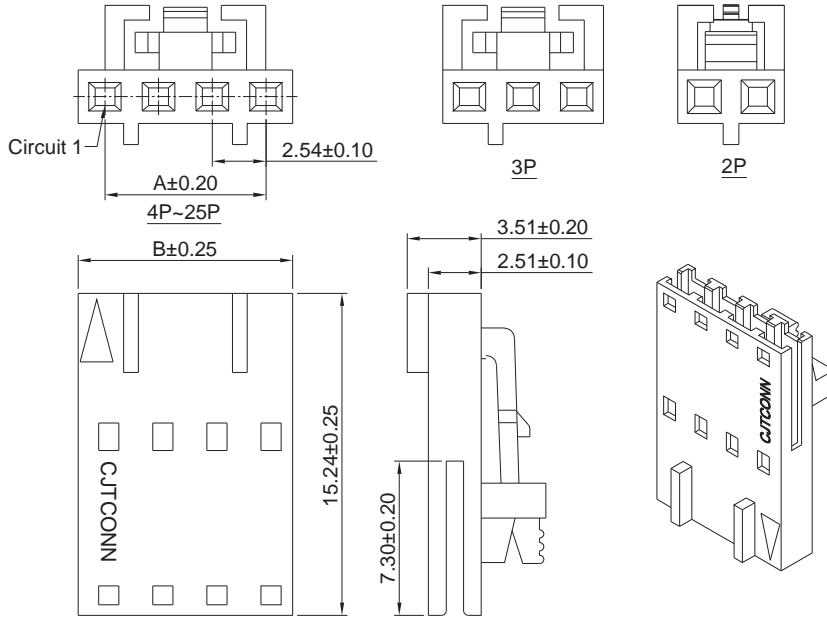
2.54mm pitch FFC Crimp Flex connector

A2550H-M

2.54mm Pitch Housing With Lock

Reference Informations:

- *Material: PBT30%GF , UL94V-0
- *Suitable A2547-E series Terminal
- *Mates with A2547HM A2550HM series Housing or A2547 series single row Wafer
- *Color: Black



Ordering Information & Dimensions:

P-MART NO.	Dimensions	
	A	B
A2550H-2P-M	2.54	5.08
A2550H-3P-M	5.08	7.62
A2550H-4P-M	7.62	10.16
A2550H-5P-M	10.16	12.70
A2550H-6P-M	12.70	15.24
A2550H-7P-M	15.24	17.78
A2550H-8P-M	17.78	20.32
A2550H-9P-M	20.32	22.86
A2550H-10P-M	22.86	25.40
A2550H-11P-M	25.40	27.94
A2550H-12P-M	27.94	30.48
A2550H-13P-M	30.48	32.02
A2550H-14P-M	32.02	35.56
A2550H-15P-M	35.56	38.10
A2550H-16P-M	38.10	40.64
A2550H-17P-M	40.64	43.18
A2550H-18P-M	43.18	45.72
A2550H-19P-M	45.72	48.26
A2550H-20P-M	48.26	50.80
A2550H-21P-M	50.80	53.34
A2550H-22P-M	53.34	55.88
A2550H-23P-M	55.88	58.42
A2550H-24P-M	58.42	60.96
A2550H-25P-M	60.96	63.50

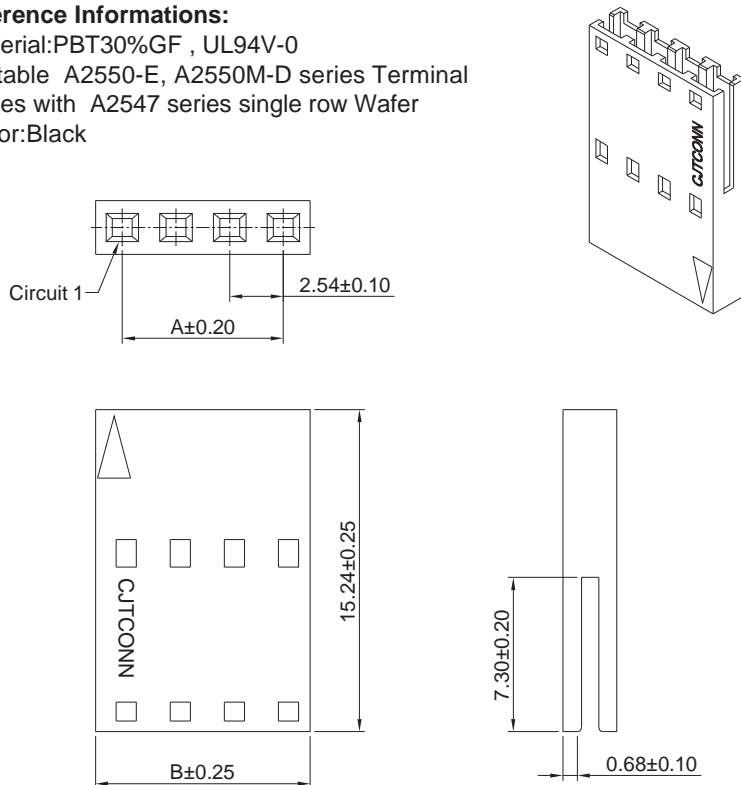
Unit: mm

A2550H-M1

2.54mm Pitch Housing

Reference Informations:

- *Material: PBT30%GF , UL94V-0
- *Suitable A2550-E, A2550M-D series Terminal
- *Mates with A2547 series single row Wafer
- *Color: Black



Ordering Information & Dimensions:

PART NO.	Dimensions	
	A	B
A2550H-2P-M1	2.54	5.08
A2550H-3P-M1	5.08	7.62
A2550H-4P-M1	7.62	10.16
A2550H-5P-M1	10.16	12.70
A2550H-6P-M1	12.70	15.24
A2550H-7P-M1	15.24	17.78
A2550H-8P-M1	17.78	20.32
A2550H-9P-M1	20.32	22.86
A2550H-10P-M1	22.86	25.40
A2550H-11P-M1	25.40	27.94
A2550H-12P-M1	27.94	30.48
A2550H-13P-M1	30.48	32.02
A2550H-14P-M1	32.02	35.56
A2550H-15P-M1	35.56	38.10
A2550H-16P-M1	38.10	40.64
A2550H-17P-M1	40.64	43.18
A2550H-18P-M1	43.18	45.72
A2550H-19P-M1	45.72	48.26
A2550H-20P-M1	48.26	50.80
A2550H-21P-M1	50.80	53.34
A2550H-22P-M1	53.34	55.88
A2550H-23P-M1	55.88	58.42
A2550H-24P-M1	58.42	60.96
A2550H-25P-M1	60.96	63.50

Unit: mm

A2550 SERIES

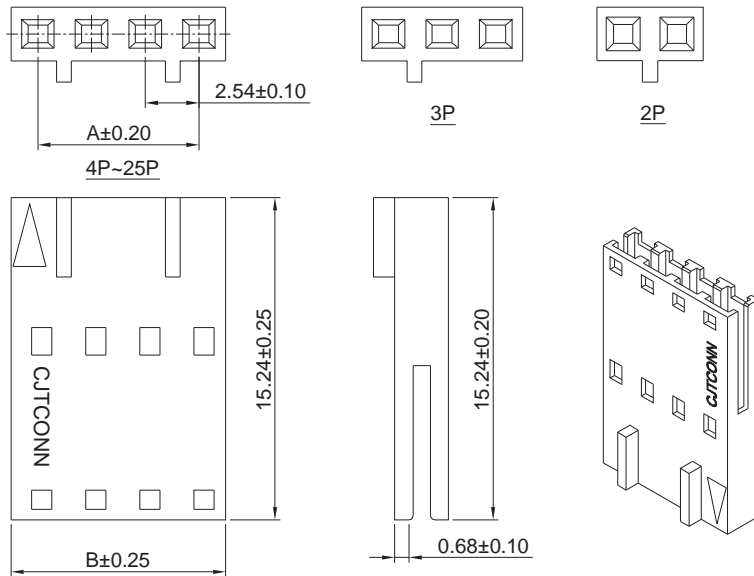
2.54mm pitch FFC Crimp Flex connector

A2550H-M2

2.54mm Pitch Housing

Reference Informations:

- *Material: PBT30%GF , UL94V-0
- *Suitable A2547-E series Terminal
- *Mates with A2547 series single row Wafer
- *Color: Black



Ordering Information & Dimensions:

PART NO.	Dimensions	
	A	B
A2550H-2P-M2	2.54	5.08
A2550H-3P-M2	5.08	7.62
A2550H-4P-M2	7.62	10.16
A2550H-5P-M2	10.16	12.70
A2550H-6P-M2	12.70	15.24
A2550H-7P-M2	15.24	17.78
A2550H-8P-M2	17.78	20.32
A2550H-9P-M2	20.32	22.86
A2550H-10P-M2	22.86	25.40
A2550H-11P-M2	25.40	27.94
A2550H-12P-M2	27.94	30.48
A2550H-13P-M2	30.48	32.02
A2550H-14P-M2	32.02	35.56
A2550H-15P-M2	35.56	38.10
A2550H-16P-M2	38.10	40.64
A2550H-17P-M2	40.64	43.18
A2550H-18P-M2	43.18	45.72
A2550H-19P-M2	45.72	48.26
A2550H-20P-M2	48.26	50.80
A2550H-21P-M2	50.80	53.34
A2550H-22P-M2	53.34	55.88
A2550H-23P-M2	55.88	58.42
A2550H-24P-M2	58.42	60.96
A2550H-25P-M2	60.96	63.50

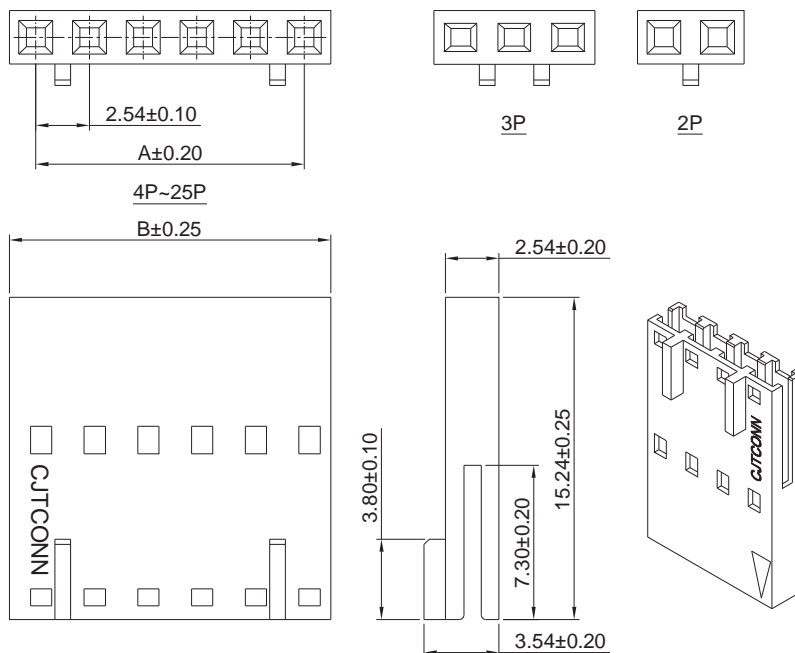
Unit: mm

A2550H-M3

2.54mm Pitch Housing

Reference Informations:

- *Material: PBT30%GF , UL94V-0
- *Suitable A2550-E , A2550M-D series Terminal
- *Color: Black



Ordering Information & Dimensions:

PART NO.	Dimensions	
	A	B
A2550H-2P-M3	2.54	5.08
A2550H-3P-M3	5.08	7.62
A2550H-4P-M3	7.62	10.16
A2550H-5P-M3	10.16	12.70
A2550H-6P-M3	12.70	15.24
A2550H-7P-M3	15.24	17.78
A2550H-8P-M3	17.78	20.32
A2550H-9P-M3	20.32	22.86
A2550H-10P-M3	22.86	25.40
A2550H-11P-M3	25.40	27.94
A2550H-12P-M3	27.94	30.48
A2550H-13P-M3	30.48	32.02
A2550H-14P-M3	32.02	35.56
A2550H-15P-M3	35.56	38.10
A2550H-16P-M3	38.10	40.64
A2550H-17P-M3	40.64	43.18
A2550H-18P-M3	43.18	45.72
A2550H-19P-M3	45.72	48.26
A2550H-20P-M3	48.26	50.80
A2550H-21P-M3	50.80	53.34
A2550H-22P-M3	53.34	55.88
A2550H-23P-M3	55.88	58.42
A2550H-24P-M3	58.42	60.96
A2550H-25P-M3	60.96	63.50

Unit: mm

A2550 SERIES

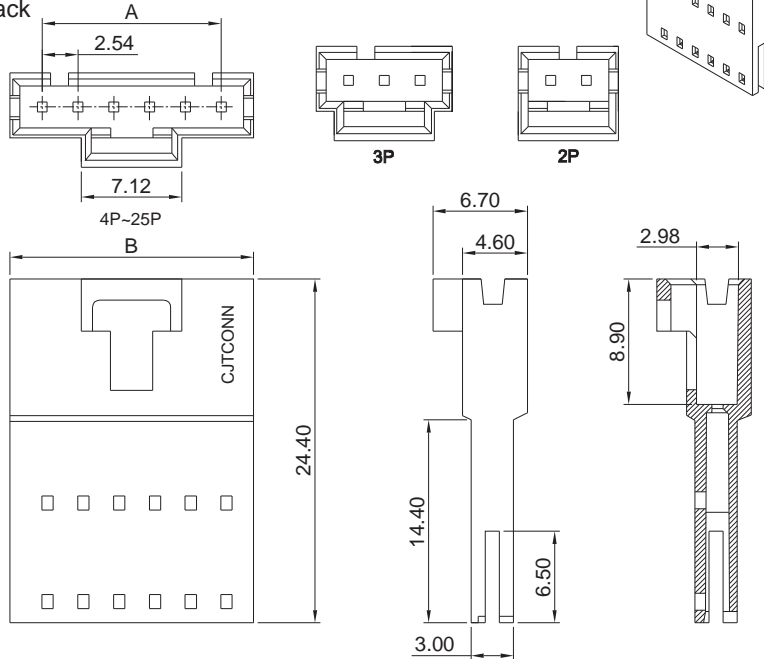
2.54mm pitch FFC Crimp Flex connector

A2550HM

2.54mm Pitch Crimp Flex Housing

Reference Informations:

- *Material: PBT30%GF, UL94V-0
- *Suitable A2550M-T-D series Terminal
- *Mates with A2550 series Housing (A2550H-A, A2550H-A1, A2550H-A2, A2550H-H, A2547H, A2547HA)
- *Color: Black



Ordering Information & Dimensions:

PART NO.	Dimensions	
	A	B
A2550HM-2P	2.54	7.12
A2550HM-3P	5.08	9.66
A2550HM-4P	7.62	12.20
A2550HM-5P	10.16	14.74
A2550HM-6P	12.70	17.28
A2550HM-7P	15.24	19.82
A2550HM-8P	17.78	22.36
A2550HM-9P	20.32	24.90
A2550HM-10P	22.86	27.44
A2550HM-11P	25.40	29.98
A2550HM-12P	27.94	32.52
A2550HM-13P	30.48	35.06
A2550HM-14P	33.02	37.60
A2550HM-15P	35.56	40.14
A2550HM-16P	38.10	42.68
A2550HM-17P	40.64	45.22
A2550HM-18P	43.18	47.76
A2550HM-19P	45.72	50.30
A2550HM-20P	48.26	52.84
A2550HM-21P	50.80	55.38
A2550HM-22P	53.34	57.92
A2550HM-23P	55.88	60.46
A2550HM-24P	58.42	63.00
A2550HM-25P	60.96	65.54

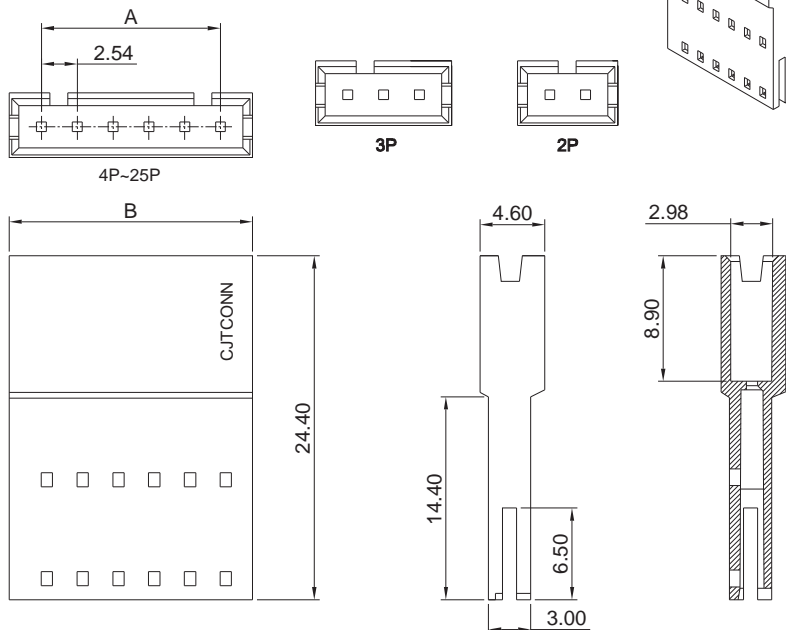
Unit: mm

A2550HMA

2.54mm Pitch Crimp Flex Housing

Reference Informations:

- *Material: PBT30%GF, UL94V-0
- *Suitable A2550M-T-D series Terminal
- *Mates with A2550 series Housing (A2550H-B, A2547H-XP-3)
- *Color: Black



Ordering Information & Dimensions:

PART NO.	Dimensions	
	A	B
A2550HMA-2P	2.54	7.12
A2550HMA-3P	5.08	9.66
A2550HMA-4P	7.62	12.20
A2550HMA-5P	10.16	14.74
A2550HMA-6P	12.70	17.28
A2550HMA-7P	15.24	19.82
A2550HMA-8P	17.78	22.36
A2550HMA-9P	20.32	24.90
A2550HMA-10P	22.86	27.44
A2550HMA-11P	25.40	29.98
A2550HMA-12P	27.94	32.52
A2550HMA-13P	30.48	35.06
A2550HMA-14P	33.02	37.60
A2550HMA-15P	35.56	40.14
A2550HMA-16P	38.10	42.68
A2550HMA-17P	40.64	45.22
A2550HMA-18P	43.18	47.76
A2550HMA-19P	45.72	50.30
A2550HMA-20P	48.26	52.84
A2550HMA-21P	50.80	55.38
A2550HMA-22P	53.34	57.92
A2550HMA-23P	55.88	60.46
A2550HMA-24P	58.42	63.00
A2550HMA-25P	60.96	65.54

Unit: mm

A2550 SERIES

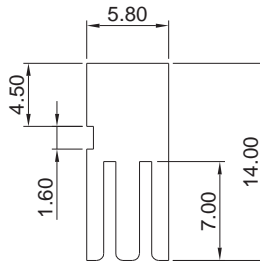
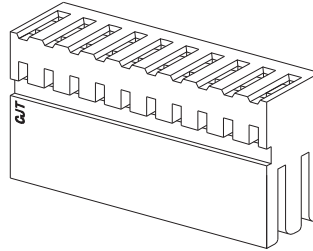
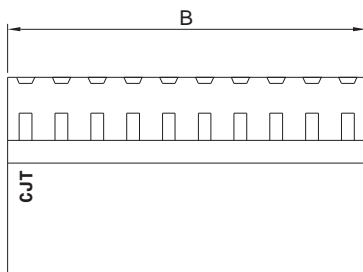
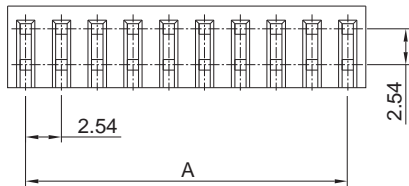
2.54mm pitch FFC Crimp Flex connector

A2550H-2

2.54mm Pitch Crimp Flex Housing

Reference Informations:

- *Material: PBT30%GF, UL94V-0
- *Suitable A2550 series Terminal (A2550-T(-H), A2550-T(-H)-CR, A2550-T-A, A2550-T-C, A2550M-T)
- *Mates with A2541 series Wafer
- *Color: Black



Ordering Information & Dimensions:

PART NO.	Dimensions	
	A	B
A2550H-2x2P	2.54	5.08
A2550H-2x3P	5.08	7.62
A2550H-2x4P	7.62	10.16
A2550H-2x5P	10.16	12.70
A2550H-2x6P	12.70	15.24
A2550H-2x7P	15.24	17.78
A2550H-2x8P	17.78	20.32
A2550H-2x9P	20.32	22.86
A2550H-2x10P	22.86	25.40
A2550H-2x11P	25.40	27.94
A2550H-2x12P	27.94	30.48
A2550H-2x13P	30.48	33.02
A2550H-2x14P	33.02	35.56
A2550H-2x15P	35.56	38.10
A2550H-2x16P	38.10	40.64
A2550H-2x17P	40.64	43.18
A2550H-2x18P	43.18	45.72
A2550H-2x19P	45.72	48.26
A2550H-2x20P	48.26	50.80
A2550H-2x21P	50.80	53.34
A2550H-2x22P	53.34	55.88
A2550H-2x23P	55.88	58.42
A2550H-2x24P	58.42	60.96
A2550H-2x25P	60.96	63.50

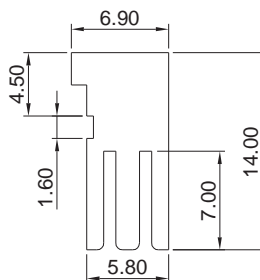
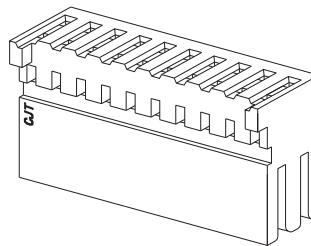
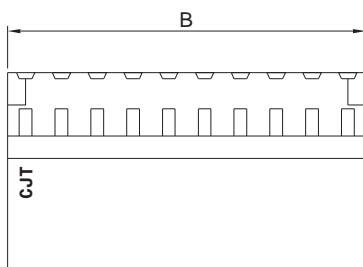
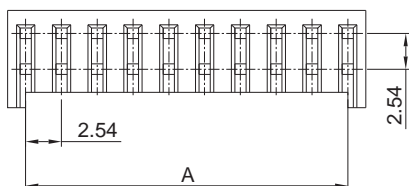
Unit: mm

A2550HA-2

2.54mm Pitch Crimp Flex Housing

Reference Informations:

- *Suitable A2550 series Terminal (A2550-T(-H), A2550-T(-H)-CR, A2550-T-A, A2550-T-C)
- *Mates with A2549 series Dual Row Wafer (A2549WVB-2, A2549WRB-2)
- *Color: Black



Ordering Information & Dimensions:

PART NO.	Dimensions	
	A	B
A2550HA-2x2P	2.54	5.08
A2550HA-2x3P	5.08	7.62
A2550HA-2x4P	7.62	10.16
A2550HA-2x5P	10.16	12.70
A2550HA-2x6P	12.70	15.24
A2550HA-2x7P	15.24	17.78
A2550HA-2x8P	17.78	20.32
A2550HA-2x9P	20.32	22.86
A2550HA-2x10P	22.86	25.40
A2550HA-2x11P	25.40	27.94
A2550HA-2x12P	27.94	30.48
A2550HA-2x13P	30.48	33.02
A2550HA-2x14P	33.02	35.56
A2550HA-2x15P	35.56	38.10
A2550HA-2x16P	38.10	40.64
A2550HA-2x17P	40.64	43.18
A2550HA-2x18P	43.18	45.72
A2550HA-2x19P	45.72	48.26
A2550HA-2x20P	48.26	50.80
A2550HA-2x21P	50.80	53.34
A2550HA-2x22P	53.34	55.88
A2550HA-2x23P	55.88	58.42
A2550HA-2x24P	58.42	60.96
A2550HA-2x25P	60.96	63.50

Unit: mm