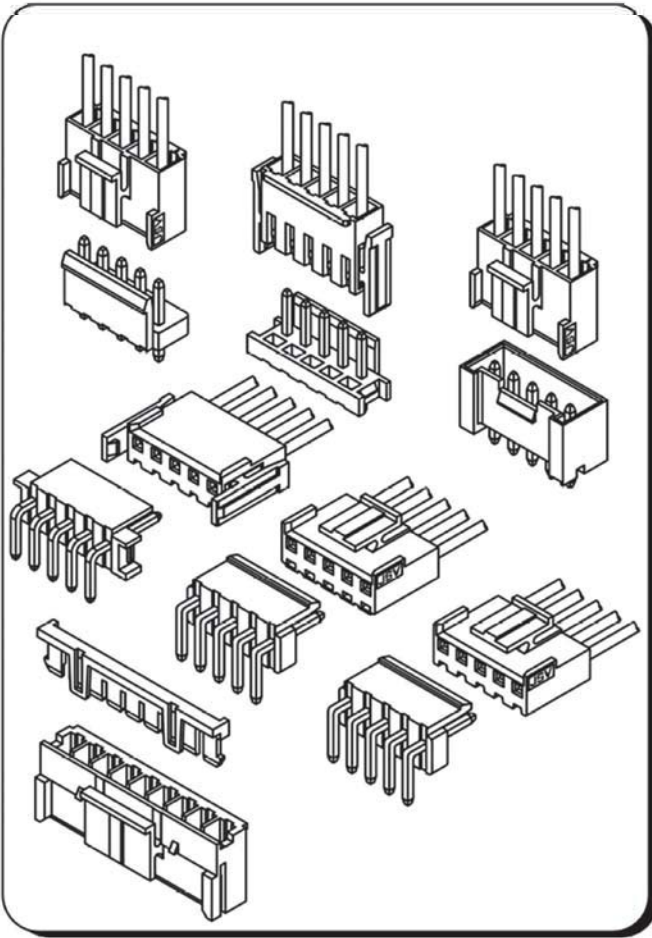


A3963 SERIES

3.96mm pitch wire to board connector



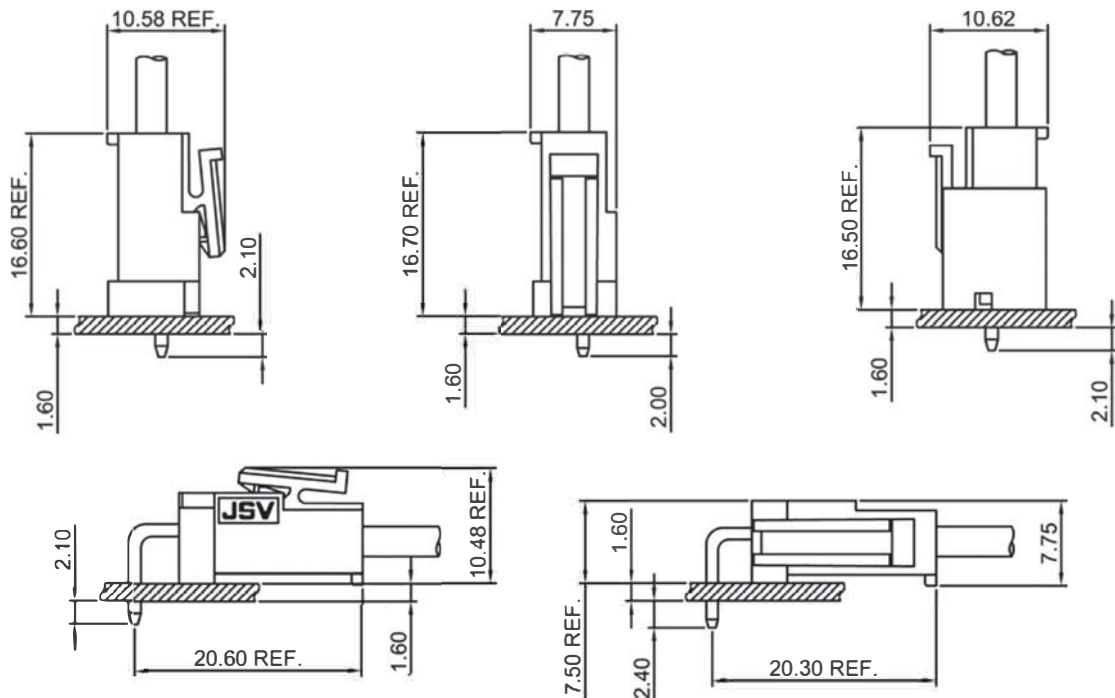
Specifications

- Current rating: 7A AC, DC
- Voltage rating: 250V AC, DC
- Temperature range: -40°C ~ +105°C
- Contact resistance: 10mΩ Max.
- Insulation resistance: 1000MΩ Min.
- Withstanding voltage: 1500V AC/minute
- *Compliant with RoHS and REACH*
- *Meet the HF/Halogen Free, GWT/Glow wire Test (IEC60335-1) request, need to customize*
- *Contact JSV for details*

Standards



Assembly layout



A3963 SERIES

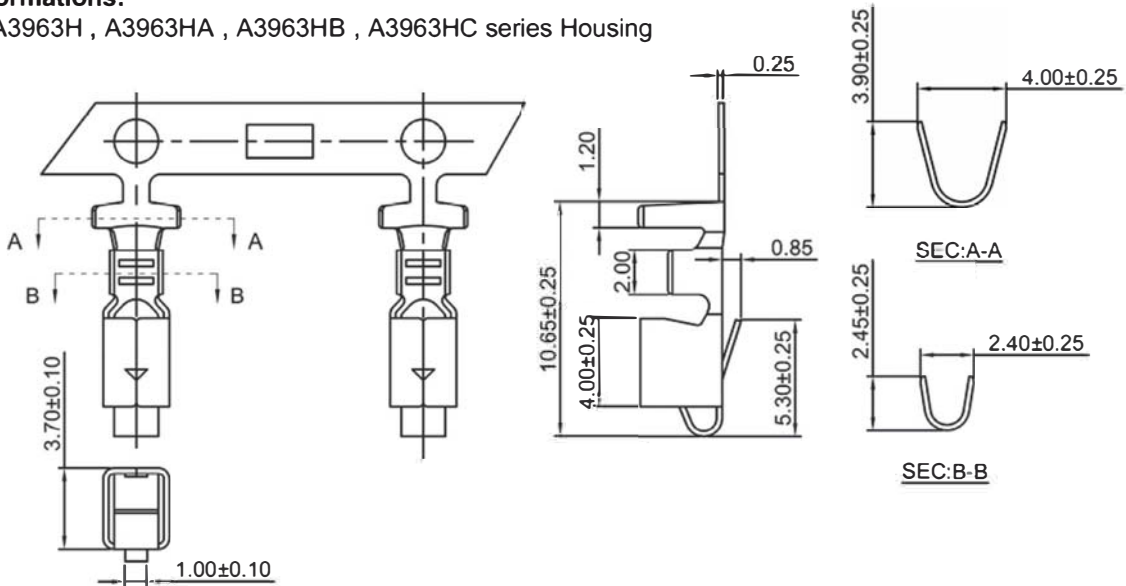
3.96mm pitch wire to board connector

A3963H-T

3.96mm pitch Crimp Terminal

Reference Informations:

*Used in JSV A3963H , A3963HA , A3963HB , A3963HC series Housing



Ordering information & Specifications:

Unit:mm

Part NO.	Wire Range	Insulation O.D.	Material	Finish	Qty/reel
A3963H-TB	AWG#18-#22	3.00mm(max)	Brass	Tin over Nickel	4,000 PCS
A3963H-TP	AWG#18-#22	3.00mm(max)	Phosphor Bronze	Tin over Nickel	4,000 PCS
A3963H-GB	AWG#18-#22	3.00mm(max)	Brass	Gold over Nickel	4,000 PCS
A3963H-GP	AWG#18-#22	3.00mm(max)	Phosphor Bronze	Gold over Nickel	4,000 PCS

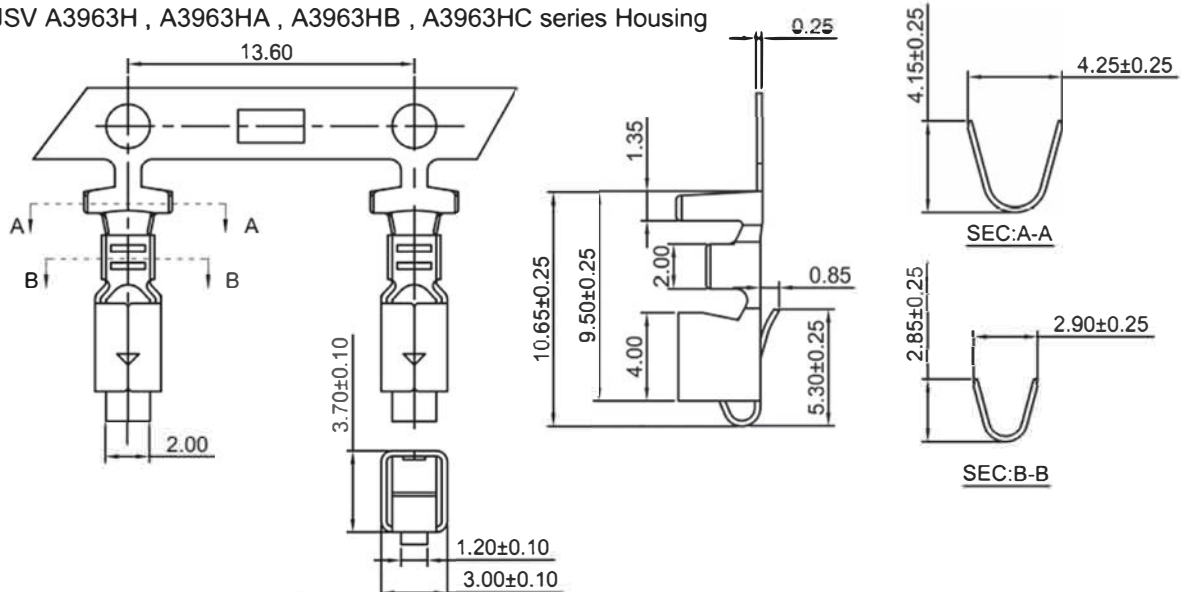
Optional Gold plating available but MOQ requested

A3963H-T-H

3.96mm pitch Crimp Terminal

Reference Informations:

*Used in JSV A3963H , A3963HA , A3963HB , A3963HC series Housing



Ordering information & Specifications:

Unit:mm

Part NO.	Wire Range	Insulation O.D.	Material	Finish	Qty/reel
A3963H-TB-H	AWG#16-#20	3.40mm(max)	Brass	Tin over Nickel	4,000 PCS
A3963H-TP-H	AWG#16-#20	3.40mm(max)	Phosphor Bronze	Tin over Nickel	4,000 PCS
A3963H-GB-H	AWG#16-#20	3.40mm(max)	Brass	Gold over Nickel	4,000 PCS
A3963H-GP-H	AWG#16-#20	3.40mm(max)	Phosphor Bronze	Gold over Nickel	4,000 PCS

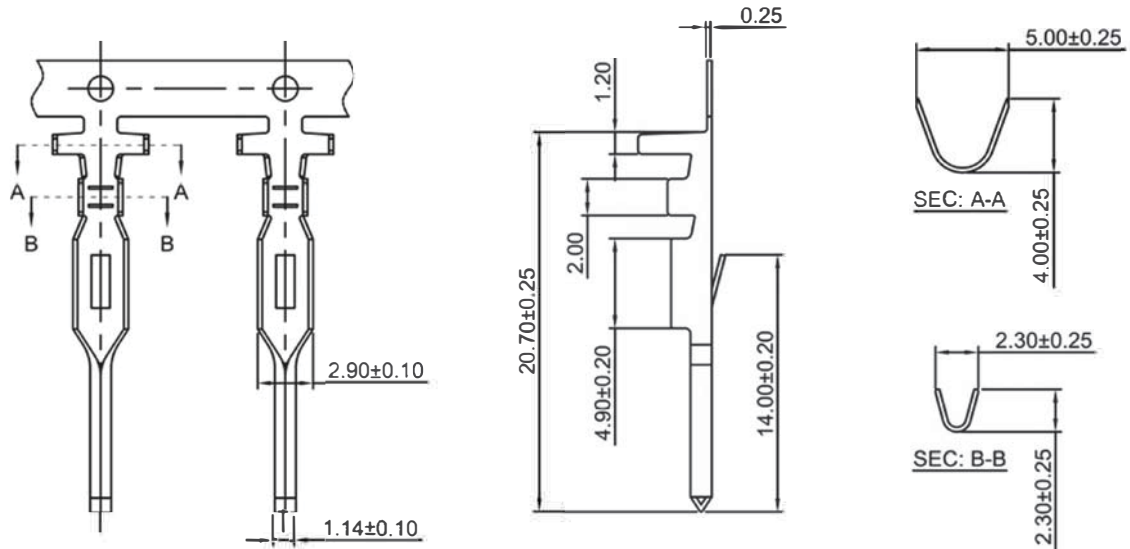
Optional Gold plating available but MOQ requested

A3963M-T

3.96mm pitch Crimp Terminal

Reference Informations:

*Used in JSV A3963HM series Housing



Ordering information & Specifications:

Unit:mm

Part NO.	Wire Range	Insulation O.D.	Material	Finish	Qty/reel
A3963M-TB	AWG#18-#22	3.00mm(max)	Brass	Tin over Nickel	4,000 PCS
A3963M-TP	AWG#18-#22	3.00mm(max)	Phosphor Bronze	Tin over Nickel	4,000 PCS

Optional Gold plating available but MOQ requested

A3963 SERIES

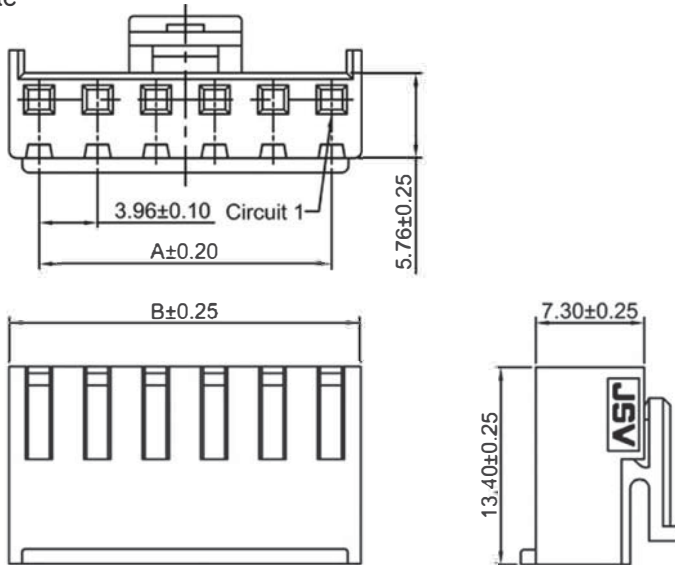
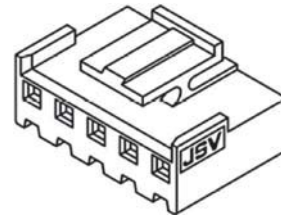
3.96mm pitch wire to board connector

A3963H

3.96mm pitch Housing

Reference Informations:

- *Material:Nylon 66,UL94V-0
- *Suitable JSV A3963H-T , A3963H-T-H series Terminal
- *Mates with JSV A3963WV , A3963WR , A3963WV-A
A3963WR-A , A3963WVD-F , A3963WVD-F-H , A3963WVD-F-A
A3963WVD-F-A-H , A3963WRH , A3963WRH-A series Wafer
- *Mates with JSV A3963HM Housing
- *Color:White



Ordering Information & Dimensions:

PART NO.	Dimensions	
	A	B
A3963H-02P	3.96	8.02
A3963H-03P	7.92	11.98
A3963H-04P	11.88	15.94
A3963H-05P	15.84	19.90
A3963H-06P	19.80	23.86
A3963H-07P	23.76	27.82
A3963H-08P	27.72	31.78
A3963H-09P	31.68	35.74
A3963H-10P	35.64	39.70
A3963H-11P	39.60	43.66
A3963H-12P	43.56	47.62
A3963H-13P	47.52	51.58
A3963H-14P	51.48	55.54
A3963H-15P	55.44	59.50

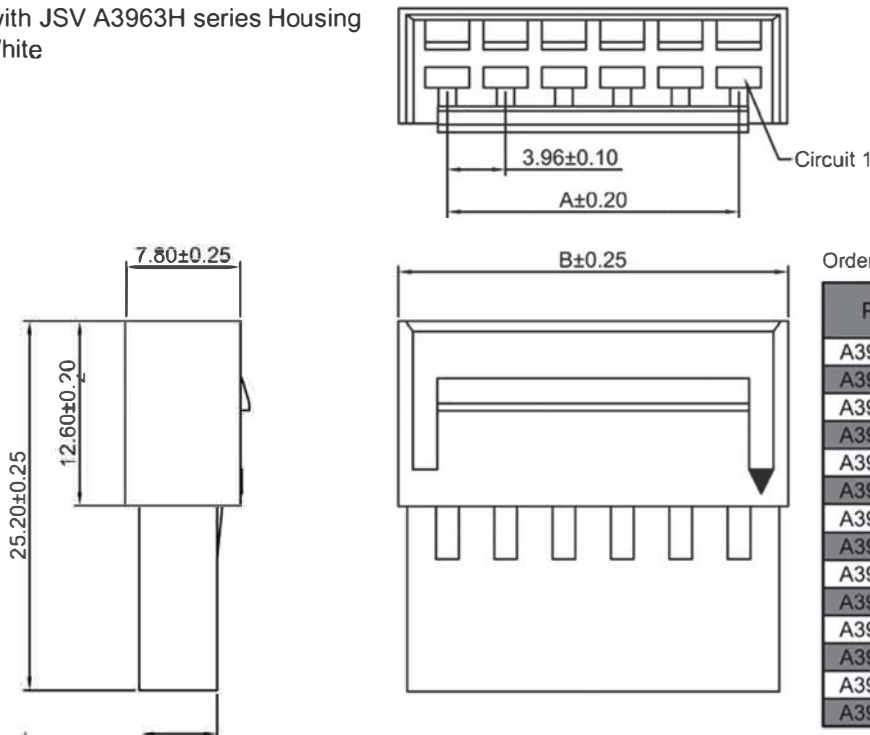
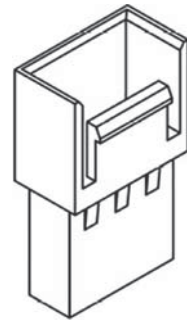
Unit: mm

A3963HM

3.96mm pitch Housing

Reference Informations:

- *Material:Nylon 66,UL94V-0
- *Suitable JSV A3963M-T series Terminal
- *Mates with JSV A3963H series Housing
- *Color:White



Ordering Information & Dimensions:

PART NO.	Dimensions	
	A	B
A3963HM-02P	3.96	10.64
A3963HM-03P	7.92	14.60
A3963HM-04P	11.88	18.56
A3963HM-05P	15.84	22.52
A3963HM-06P	19.80	26.48
A3963HM-07P	23.76	30.44
A3963HM-08P	27.72	34.40
A3963HM-09P	31.68	38.36
A3963HM-10P	35.64	42.32
A3963HM-11P	39.60	46.28
A3963HM-12P	43.56	50.24
A3963HM-13P	47.52	54.20
A3963HM-14P	51.48	58.16
A3963HM-15P	55.44	62.12

Unit: mm

A3963 SERIES

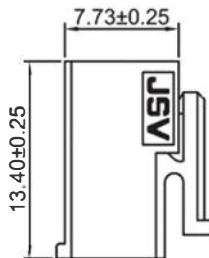
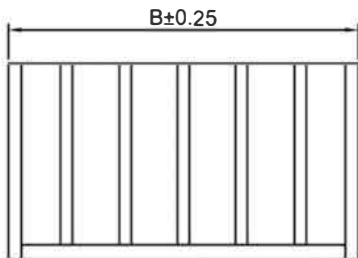
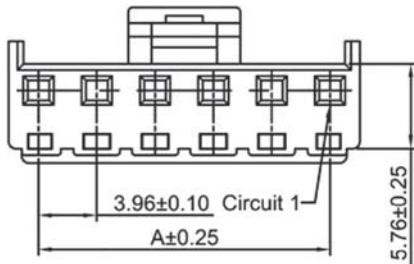
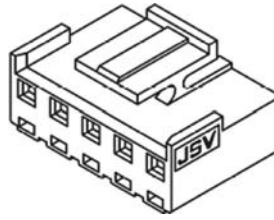
3.96mm pitch wire to board connector

A3963HA

3.96mm pitch Housing

Reference Informations:

- *Material:Nylon 66,UL94V-0
- *Suitable JSV A3963H-T , A3963H-T-H series Terminal
- *Mates with JSV A3963WV , A3963WR , A3963WV-A
A3963WR-A , A3963WVD-F , A3963WVD-F-H , A3963WVD-F-A
A3963WVD-F-A-H , A3963WRH , A3963WRH-A series Wafer
- *Color:White



Ordering Information & Dimensions:

PART NO.	Dimensions	
	A	B
A3963HA-02P	3.96	8.02
A3963HA-03P	7.92	11.98
A3963HA-04P	11.88	15.94
A3963HA-05P	15.84	19.90
A3963HA-06P	19.80	23.86
A3963HA-07P	23.76	27.82
A3963HA-08P	27.72	31.78
A3963HA-09P	31.68	35.74
A3963HA-10P	35.64	39.70
A3963HA-11P	39.60	43.66
A3963HA-12P	43.56	47.62
A3963HA-13P	47.52	51.58
A3963HA-14P	51.48	55.54
A3963HA-15P	55.44	59.50

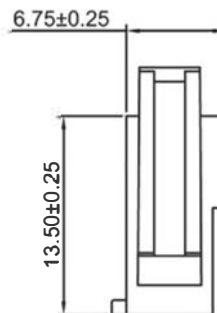
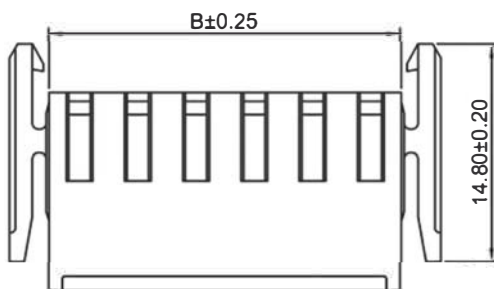
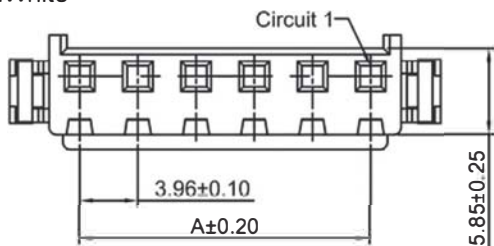
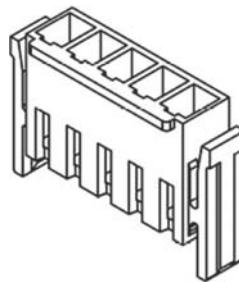
Unit: mm

A3963HB

3.96mm pitch Housing

Reference Informations:

- *Material:Nylon 66,UL94V-0
- *Suitable JSV A3963H-T , A3963H-T-H series Terminal
- *Mates with JSV A3963WVB , A3963WVB-A
A3963WRB , A3963WRB-A series Wafer
- *Color:White



Ordering Information & Dimensions:

PART NO.	Dimensions	
	A	B
A3963HB-02P	3.96	8.10
A3963HB-03P	7.92	12.06
A3963HB-04P	11.88	16.02
A3963HB-05P	15.84	19.98
A3963HB-06P	19.80	23.94
A3963HB-07P	23.76	27.90
A3963HB-08P	27.72	31.86
A3963HB-09P	31.68	35.82
A3963HB-10P	35.64	39.78
A3963HB-11P	39.60	43.74
A3963HB-12P	43.56	47.70
A3963HB-13P	47.52	51.66
A3963HB-14P	51.48	55.62
A3963HB-15P	55.44	59.58

Unit: mm

A3963 SERIES

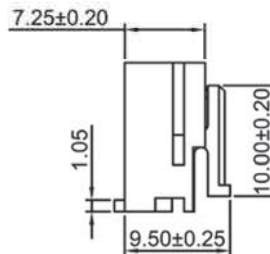
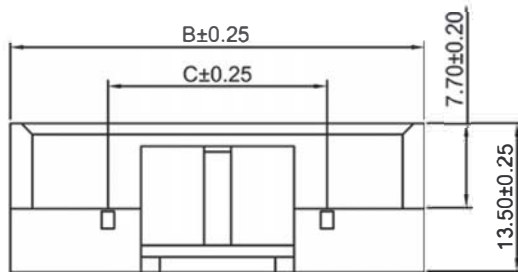
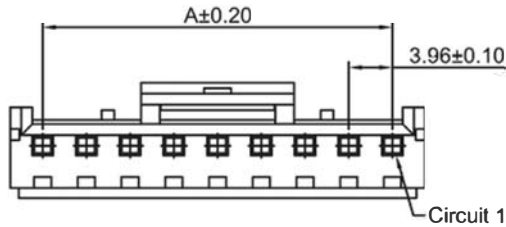
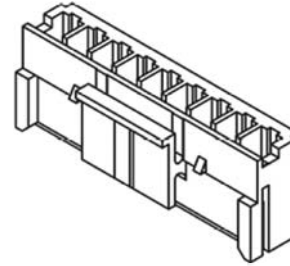
3.96mm pitch wire to board connector

A3963HC

3.96mm pitch Housing

Reference Informations:

- *Material:Nylon 66,UL94V-0
- *Suitable JSV A3963H-T , A3963H-T-H series Terminal
- *Mates with JSV A3963WV , A3963WR , A3963WV-A , A3963WR-A , A3963WRH , A3963WRH-A series Wafer
- *Color:White



Ordering Information & Dimensions:

PART NO.	Dimensions		
	A	B	C
A3963HC-02P	3.96	8.02	----
A3963HC-03P	7.92	11.98	----
A3963HC-04P	11.88	15.94	----
A3963HC-05P	15.84	19.90	----
A3963HC-06P	19.80	23.86	7.97
A3963HC-07P	23.76	27.82	11.93
A3963HC-08P	27.72	31.78	15.89
A3963HC-09P	31.68	35.74	19.85
A3963HC-10P	35.64	39.70	23.81
A3963HC-11P	39.60	43.66	27.77
A3963HC-12P	43.56	47.62	31.73
A3963HC-13P	47.52	51.58	35.69
A3963HC-14P	51.48	55.54	39.65
A3963HC-15P	55.44	59.50	43.61

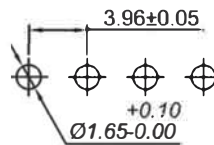
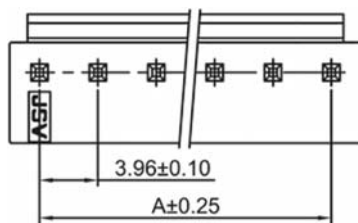
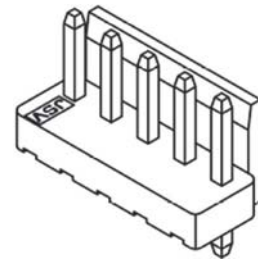
Unit: mm

A3963WV

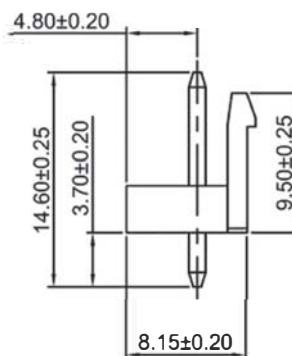
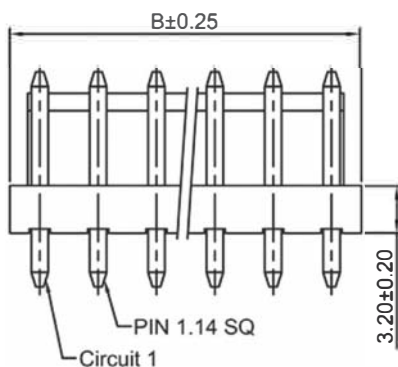
3.96mm pitch 180° Wafer

Reference Informations:

- *Material:Pin:Brass/Tin over Nickel
Insulator:Nylon 66,UL94V-0
- *Mates with JSV A3963H , A3963HA , A3963HC series Housing
- *Color:White



P.C.B LAYOUT



Ordering Information & Dimensions:

PART NO.	Dimensions	
	A	B
A3963WV-02P	3.96	7.92
A3963WV-03P	7.92	11.88
A3963WV-04P	11.88	15.84
A3963WV-05P	15.84	19.80
A3963WV-06P	19.80	23.76
A3963WV-07P	23.76	27.72
A3963WV-08P	27.72	31.68
A3963WV-09P	31.68	35.64
A3963WV-10P	35.64	39.60
A3963WV-11P	39.60	43.56
A3963WV-12P	43.56	47.52
A3963WV-13P	47.52	51.48
A3963WV-14P	51.48	55.44
A3963WV-15P	55.44	59.40

Unit: mm

A3963 SERIES

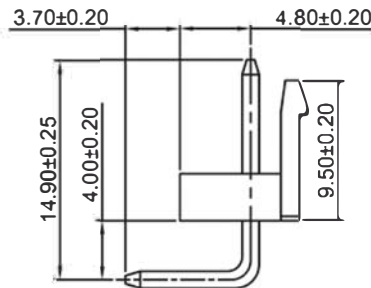
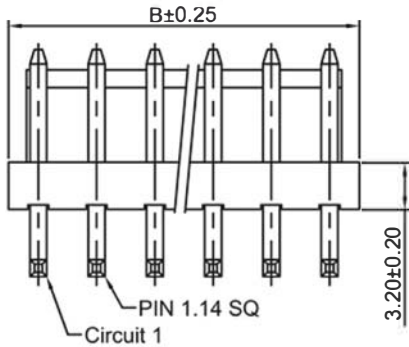
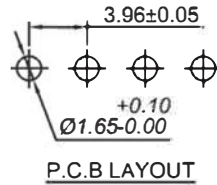
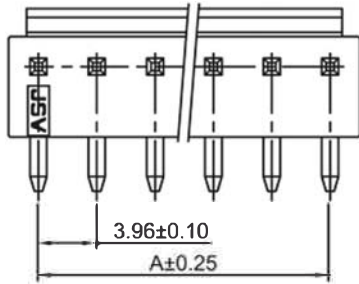
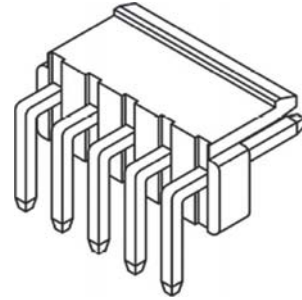
3.96mm pitch wire to board connector

A3963WR

3.96mm pitch 90° Wafer

Reference Informations:

- *Material:Pin:Brass/Tin over Nickel
Insulator:Nylon 66,UL94V-0
- *Mates with JSV A3963H , A3963HA , A3963HC series Housing
- *Color:White



Ordering Information & Dimensions:

PART NO.	Dimensions	
	A	B
A3963WR-02P	3.96	7.92
A3963WR-03P	7.92	11.88
A3963WR-04P	11.88	15.84
A3963WR-05P	15.84	19.80
A3963WR-06P	19.80	23.76
A3963WR-07P	23.76	27.72
A3963WR-08P	27.72	31.68
A3963WR-09P	31.68	35.64
A3963WR-10P	35.64	39.60
A3963WR-11P	39.60	43.56
A3963WR-12P	43.56	47.52
A3963WR-13P	47.52	51.48
A3963WR-14P	51.48	55.44
A3963WR-15P	55.44	59.40

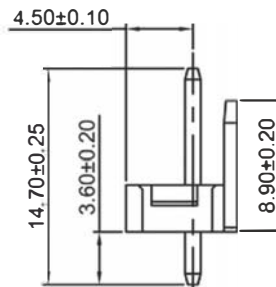
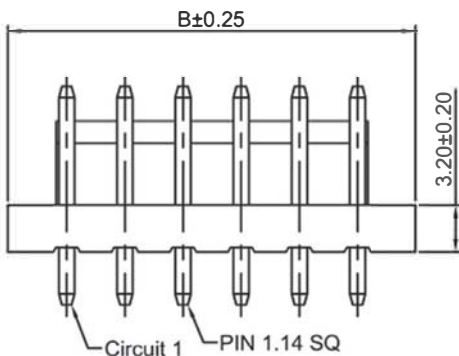
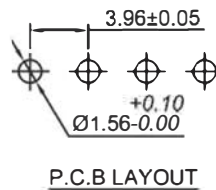
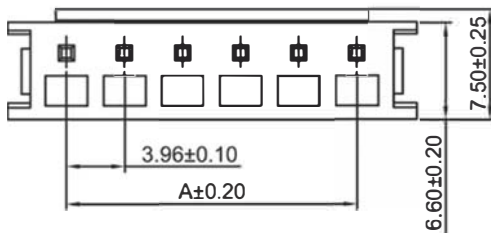
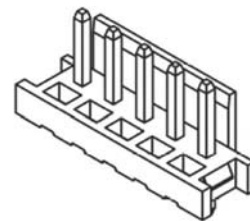
Unit: mm

A3963WVB

3.96mm pitch 180° Wafer

Reference Informations:

- *Material:Pin:Brass/Tin over Nickel
Insulator:Nylon 66,UL94V-0
- *Mates with JSV A3963HB series Housing
- *Color:White



Ordering Information & Dimensions:

PART NO.	Dimensions	
	A	B
A3963WVB-02P	3.96	11.92
A3963WVB-03P	7.92	15.88
A3963WVB-04P	11.88	19.84
A3963WVB-05P	15.84	23.80
A3963WVB-06P	19.80	27.76
A3963WVB-07P	23.76	31.72
A3963WVB-08P	27.72	35.68
A3963WVB-09P	31.68	39.64
A3963WVB-10P	35.64	43.60
A3963WVB-11P	39.60	47.56
A3963WVB-12P	43.56	51.52
A3963WVB-13P	47.52	55.48
A3963WVB-14P	51.48	59.44
A3963WVB-15P	55.44	63.40

Unit: mm

A3963 SERIES

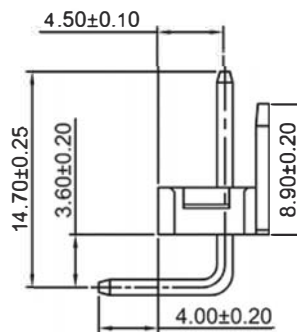
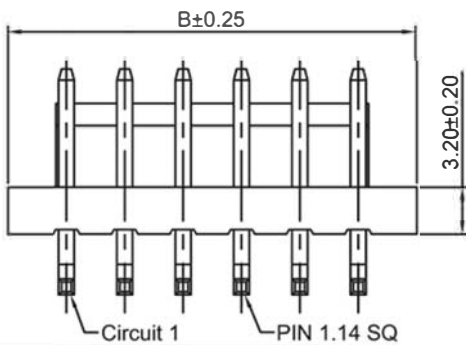
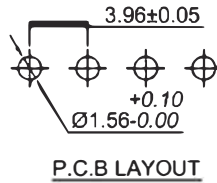
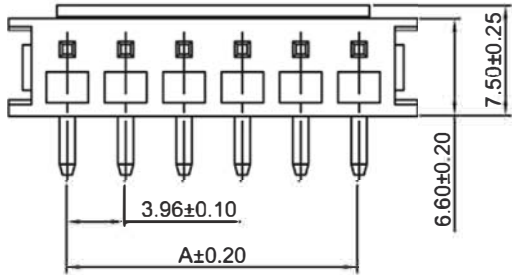
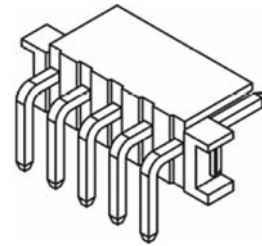
3.96mm pitch wire to board connector

A3963WRB

3.96mm pitch 90° Wafer

Reference Informations:

- *Material:Pin:Brass/Tin over Nickel
Insulator:Nylon 66,UL94V-0
- *Mates with JSV A3963HB series Housing
- *Color:Beige



Ordering Information & Dimensions:

PART NO.	Dimensions	
	A	B
A3963WRB-02P	3.96	11.92
A3963WRB-03P	7.92	15.88
A3963WRB-04P	11.88	19.84
A3963WRB-05P	15.84	23.80
A3963WRB-06P	19.80	27.76
A3963WRB-07P	23.76	31.72
A3963WRB-08P	27.72	35.68
A3963WRB-09P	31.68	39.64
A3963WRB-10P	35.64	43.60
A3963WRB-11P	39.60	47.56
A3963WRB-12P	43.56	51.52
A3963WRB-13P	47.52	55.48
A3963WRB-14P	51.48	59.44
A3963WRB-15P	55.44	63.40

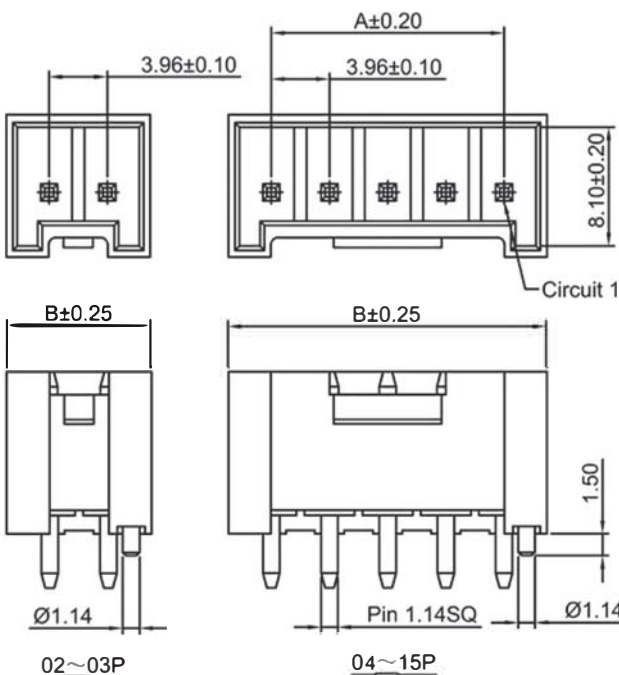
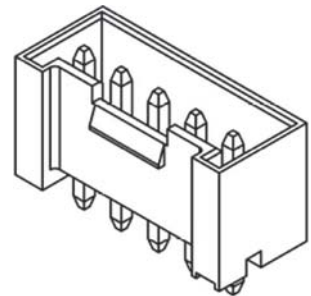
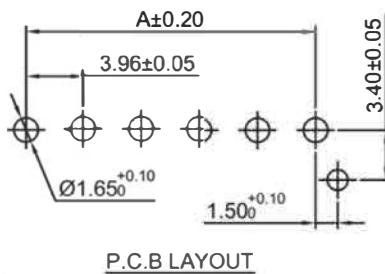
Unit: mm

A3963WVD-F

3.96mm pitch 180° Wafer

Reference Informations:

- *Material:Pin:Brass/Tin over Nickel
Insulator:PBT+30%GF,UL94V-0
- *Mates with JSV A3963H , A3963HA series Housing
- *Color:White



Ordering Information & Dimensions:

PART NO.	Dimensions	
	A	B
A3963WVD-F-02P	3.96	9.80
A3963WVD-F-03P	7.92	13.76
A3963WVD-F-04P	11.88	17.72
A3963WVD-F-05P	15.84	21.68
A3963WVD-F-06P	19.80	25.64
A3963WVD-F-07P	23.76	29.60
A3963WVD-F-08P	27.72	33.56
A3963WVD-F-09P	31.68	37.52
A3963WVD-F-10P	35.64	41.48
A3963WVD-F-11P	39.60	45.44
A3963WVD-F-12P	43.56	49.40
A3963WVD-F-13P	47.52	53.36
A3963WVD-F-14P	51.48	57.32
A3963WVD-F-15P	55.44	61.28

Unit: mm

A3963 SERIES

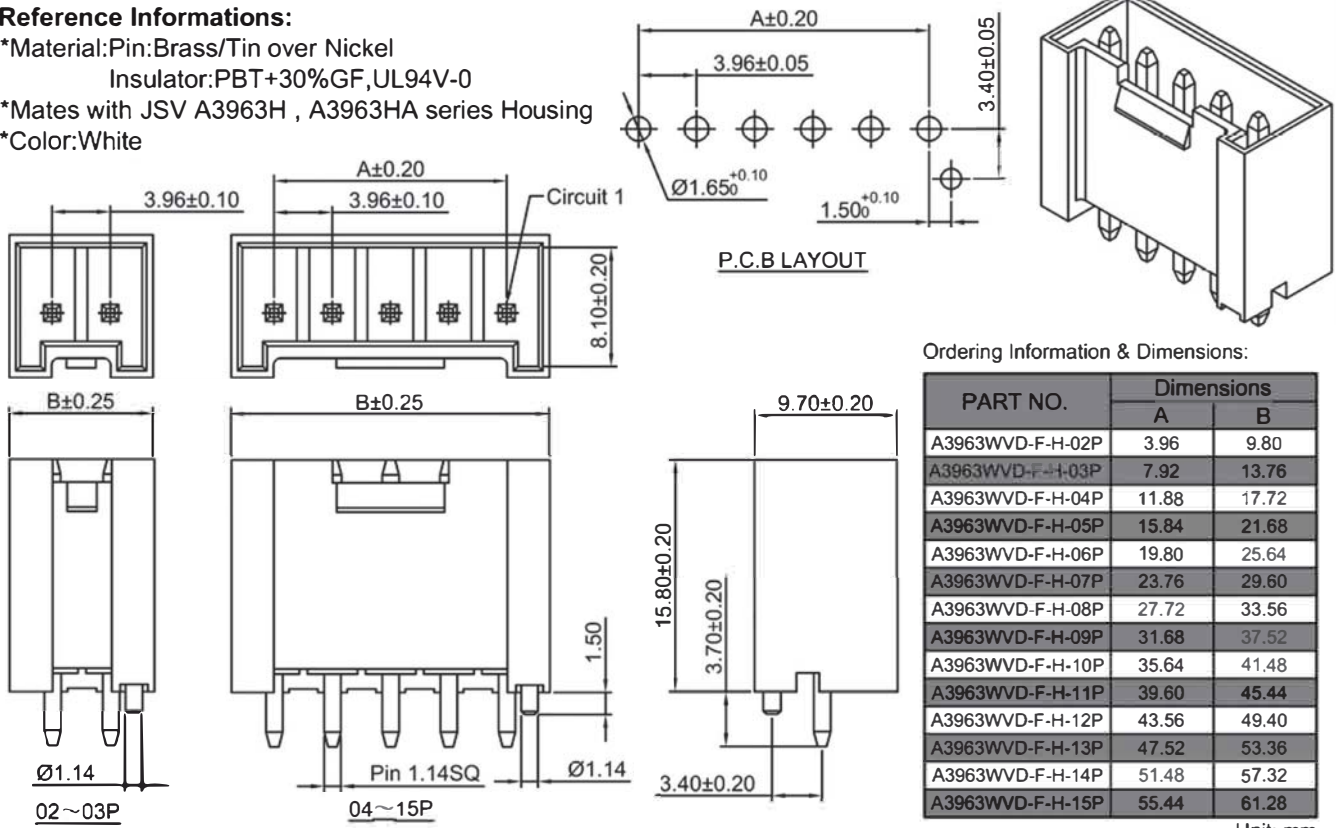
3.96mm pitch wire to board connector

A3963WVD-F-H

3.96mm pitch 180° Wafer

Reference Informations:

- *Material: Pin: Brass/Tin over Nickel
Insulator: PBT+30%GF, UL94V-0
- *Mates with JSV A3963H , A3963HA series Housing
- *Color: White



Ordering Information & Dimensions:

PART NO.	Dimensions	
	A	B
A3963WVD-F-H-02P	3.96	9.80
A3963WVD-F-H-03P	7.92	13.76
A3963WVD-F-H-04P	11.88	17.72
A3963WVD-F-H-05P	15.84	21.68
A3963WVD-F-H-06P	19.80	25.64
A3963WVD-F-H-07P	23.76	29.60
A3963WVD-F-H-08P	27.72	33.56
A3963WVD-F-H-09P	31.68	37.52
A3963WVD-F-H-10P	35.64	41.48
A3963WVD-F-H-11P	39.60	45.44
A3963WVD-F-H-12P	43.56	49.40
A3963WVD-F-H-13P	47.52	53.36
A3963WVD-F-H-14P	51.48	57.32
A3963WVD-F-H-15P	55.44	61.28

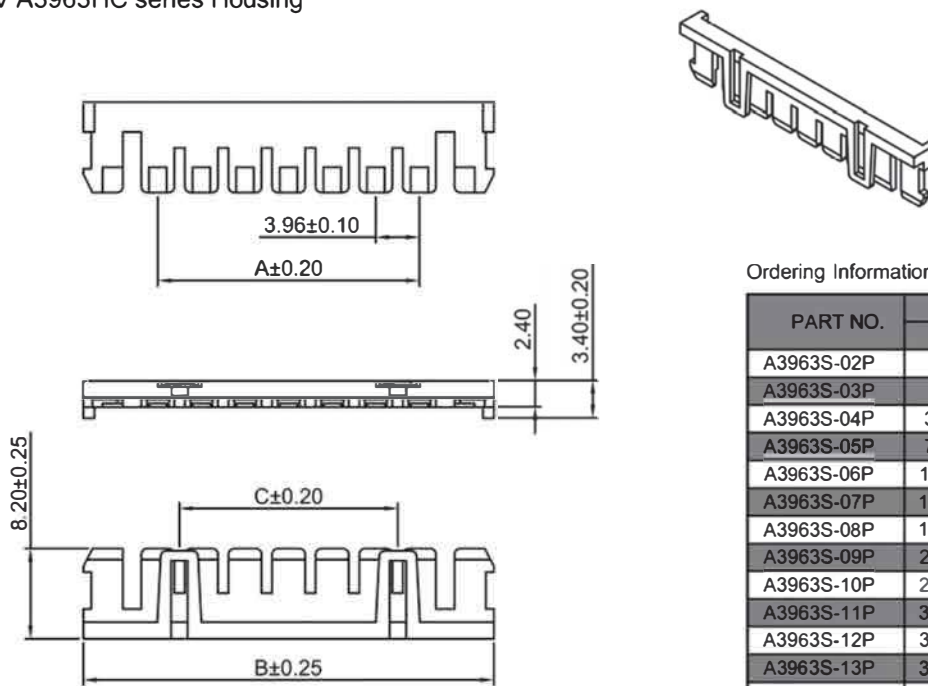
Unit: mm

A3963S

3.96mm pitch Interface Seal

Reference Informations:

- *Material: Insulator: Nylon 66, UL94V-0
- *Mates with JSV A3963HC series Housing
- *Color: Red



Ordering Information & Dimensions:

PART NO.	Dimensions		
	A	B	C
A3963S-02P	-----	9.58	-----
A3963S-03P	-----	13.54	-----
A3963S-04P	3.96	17.50	-----
A3963S-05P	7.92	21.46	-----
A3963S-06P	11.88	25.42	7.97
A3963S-07P	15.84	29.38	11.93
A3963S-08P	19.80	33.34	15.89
A3963S-09P	23.76	37.30	19.85
A3963S-10P	27.72	41.26	23.81
A3963S-11P	31.68	45.22	27.77
A3963S-12P	35.64	49.18	31.73
A3963S-13P	39.60	53.14	35.69
A3963S-14P	43.56	57.10	39.65
A3963S-15P	47.52	61.06	43.61

Unit: mm

A3963 SERIES

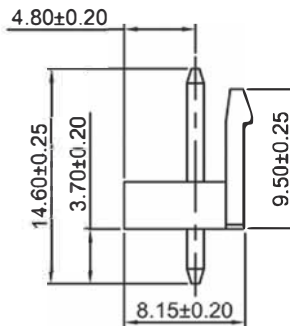
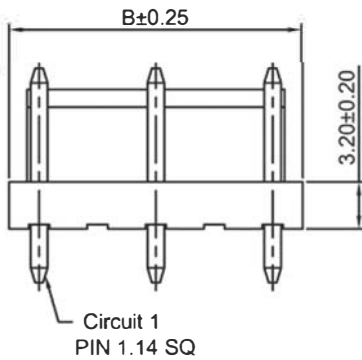
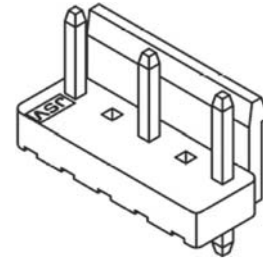
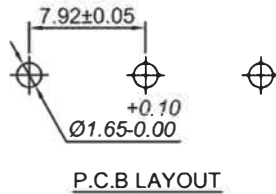
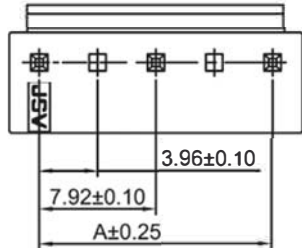
3.96mm pitch wire to board connector

A3963WV-A

3.96mm pitch 180° Wafer

Reference Informations:

- *Material:Pin:Brass/Tin over Nickel
Insulator:Nylon 66,UL94V-0
- *Mates with JSV A3963H , A3963HA , A3963HC series Housing
- *Color:White



Ordering Information & Dimensions:

PART NO.	Dimensions	
	A	B
A3963WV-A-03P	7.92	11.88
A3963WV-A-05P	15.84	19.80
A3963WV-A-07P	23.76	27.72
A3963WV-A-09P	31.68	35.64
A3963WV-A-11P	39.60	43.56
A3963WV-A-13P	47.52	51.48
A3963WV-A-15P	55.44	59.40

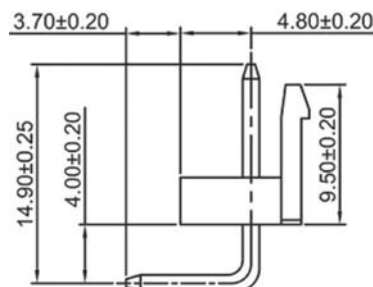
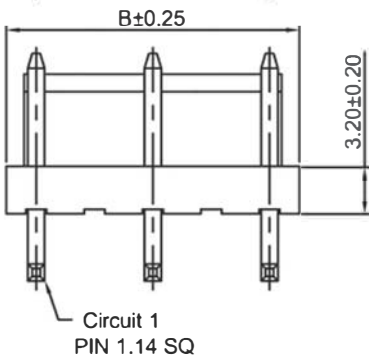
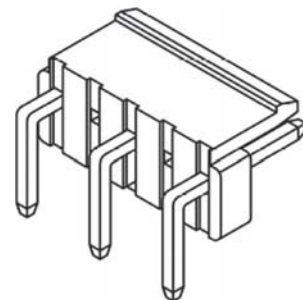
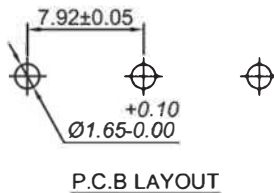
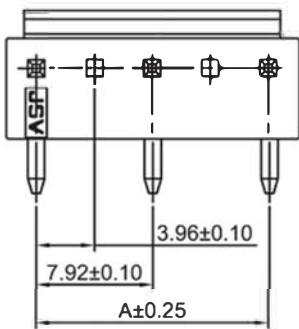
Unit: mm

A3963WR-A

3.96mm pitch 90° Wafer

Reference Informations:

- *Material:Pin:Brass/Tin over Nickel
Insulator:Nylon 66,UL94V-0
- *Mates with JSV A3963H , A3963HA , A3963HC series Housing
- *Color:White



Ordering Information & Dimensions:

PART NO.	Dimensions	
	A	B
A3963WR-A-03P	7.92	11.88
A3963WR-A-05P	15.84	19.80
A3963WR-A-07P	23.76	27.72
A3963WR-A-09P	31.68	35.64
A3963WR-A-11P	39.60	43.56
A3963WR-A-13P	47.52	51.48
A3963WR-A-15P	55.44	59.40

Unit: mm

A3963 SERIES

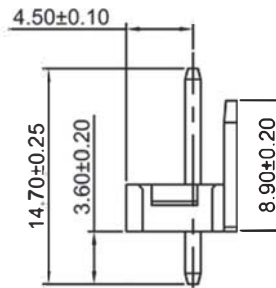
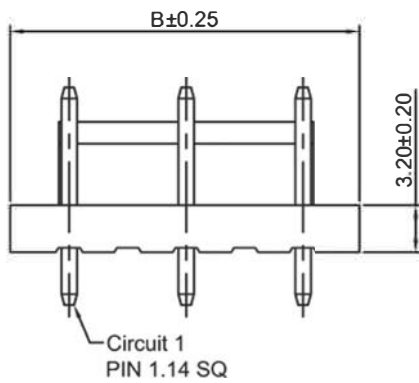
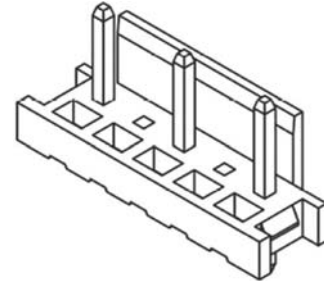
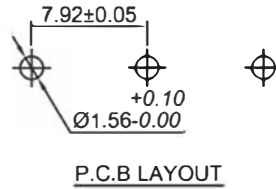
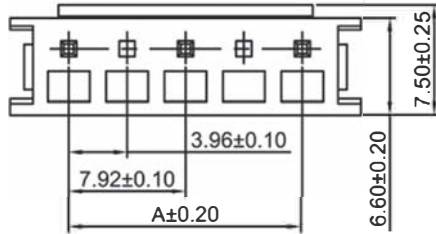
3.96mm pitch wire to board connector

A3963WVB-A

3.96mm pitch 180° Wafer

Reference Informations:

- *Material:Pin:Brass/Tin over Nickel
Insulator:Nylon 66,UL94V-0
- *Mates with JSV A3963HB series Housing
- *Color:White



Ordering Information & Dimensions:

PART NO.	Dimensions	
	A	B
A3963WVB-A-03P	7.92	15.88
A3963WVB-A-05P	15.84	23.80
A3963WVB-A-07P	23.76	31.72
A3963WVB-A-09P	31.68	39.64
A3963WVB-A-11P	39.60	47.56
A3963WVB-A-13P	47.52	55.48
A3963WVB-A-15P	55.44	63.40

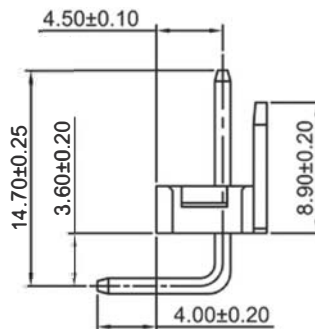
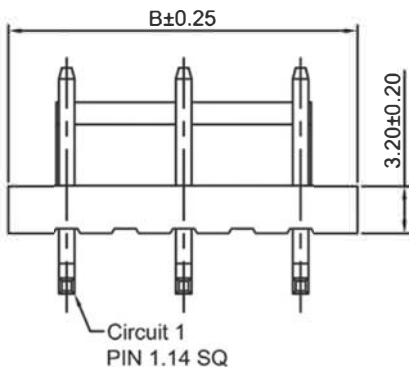
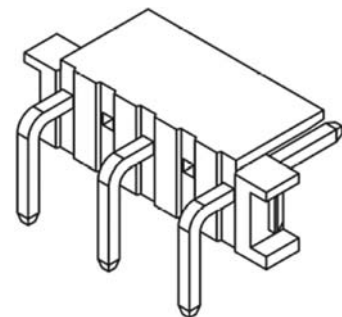
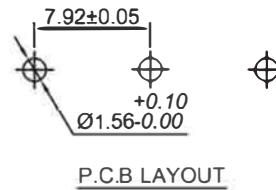
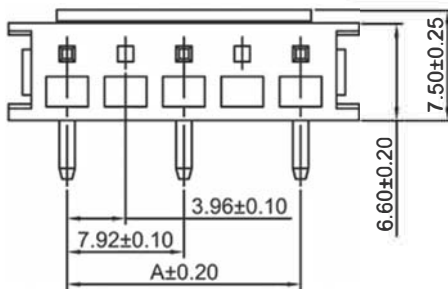
Unit: mm

A3963WRB-A

3.96mm pitch 90° Wafer

Reference Informations:

- *Material:Pin:Brass/Tin over Nickel
Insulator:Nylon 66,UL94V-0
- *Mates with JSV A3963HB series Housing
- *Color:White



Ordering Information & Dimensions:

PART NO.	Dimensions	
	A	B
A3963WRB-A-03P	7.92	15.88
A3963WRB-A-05P	15.84	23.80
A3963WRB-A-07P	23.76	31.72
A3963WRB-A-09P	31.68	39.64
A3963WRB-A-11P	39.60	47.56
A3963WRB-A-13P	47.52	55.48
A3963WRB-A-15P	55.44	63.40

Unit: mm

A3963 SERIES

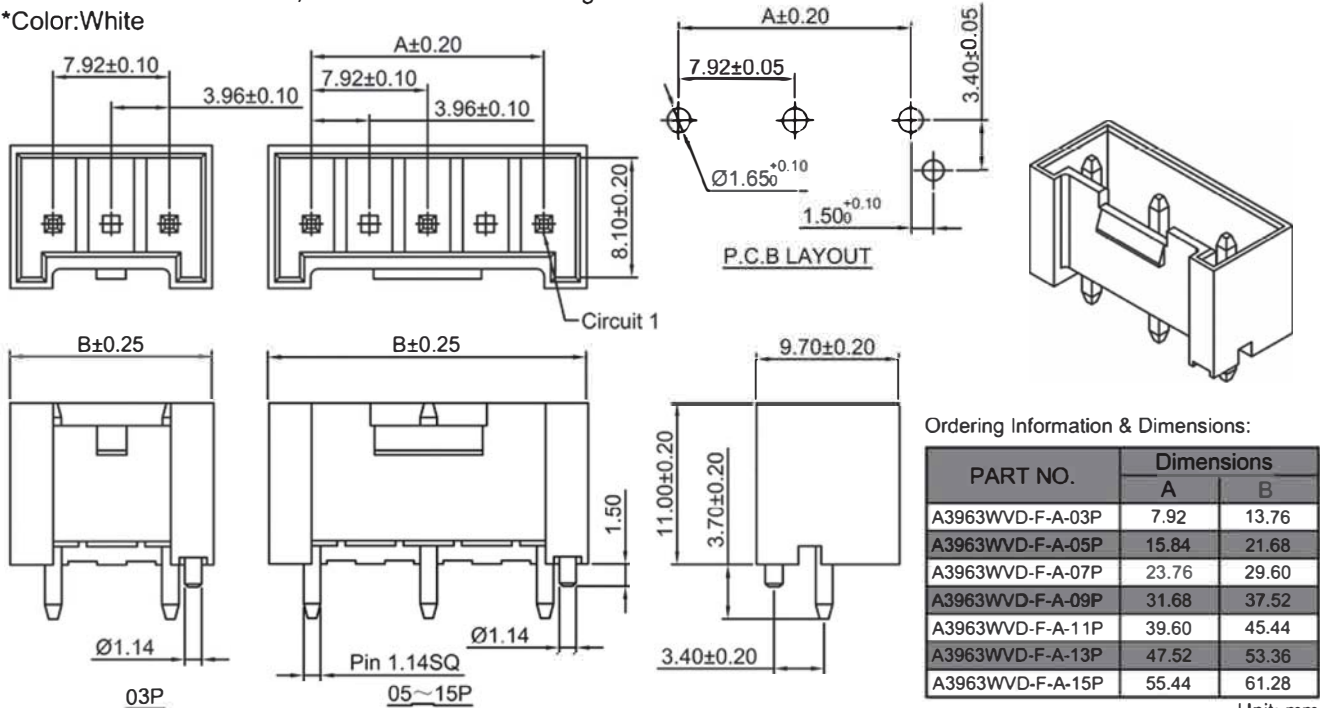
3.96mm pitch wire to board connector

A3963WVD-F-A

3.96mm pitch 180° Wafer

Reference Informations:

- *Material: Pin: Brass/Tin over Nickel
Insulator: PBT+30%GF, UL94V-0
- *Mates with JSV A3963H, A3963HA series Housing
- *Color: White

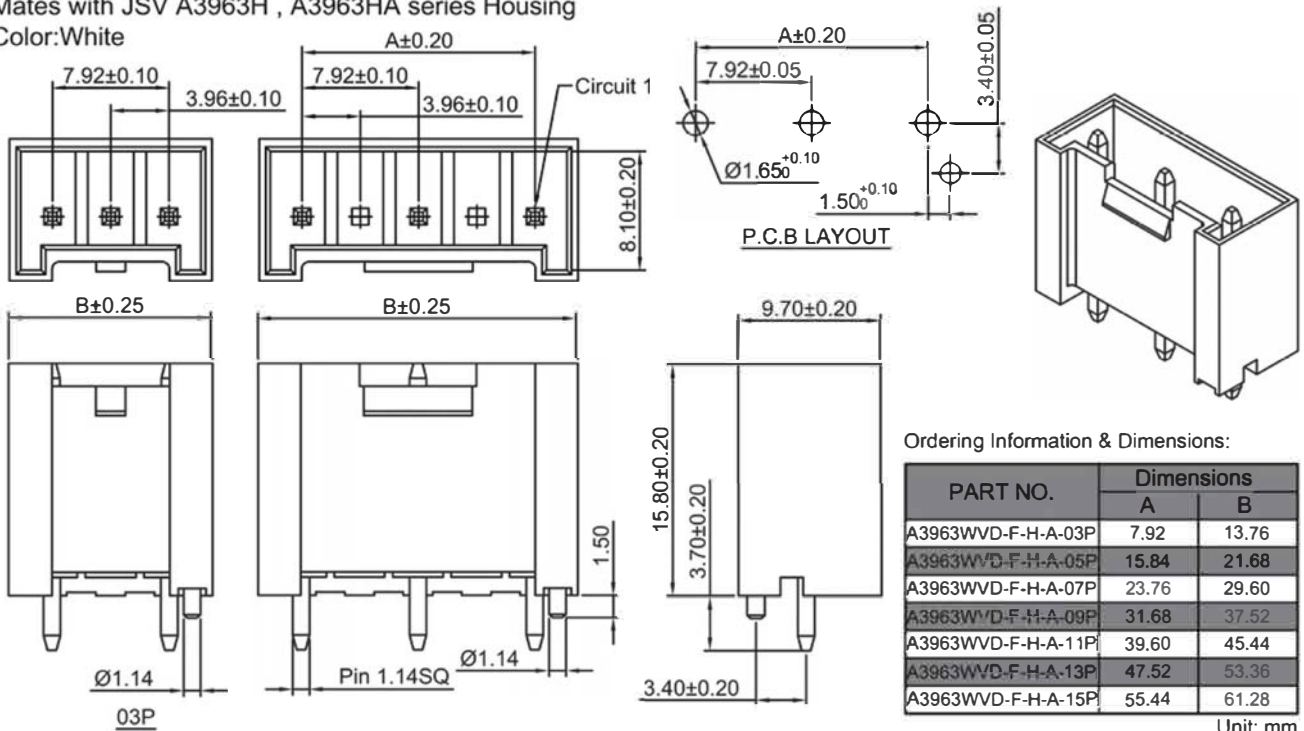


A3963WVD-F-H-A

3.96mm pitch 180° Wafer

Reference Informations:

- *Material: Pin: Brass/Tin over Nickel
Insulator: PBT+30%GF, UL94V-0
- *Mates with JSV A3963H, A3963HA series Housing
- *Color: White



A3963 SERIES

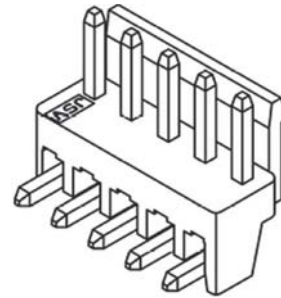
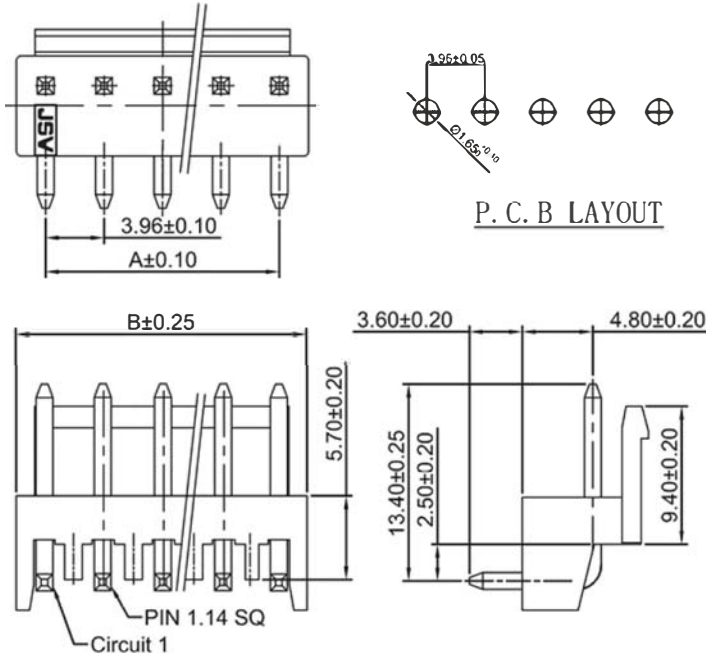
3.96mm pitch wire to board connector

A3963WRH

3.96mm pitch 90° Wafer

Reference Informations:

- *Material: Pin: Brass/Tin over Nickel
Insulator: Nylon 66, UL94V-0
- *Mates with JSV A3963H, A3963HA, A3963HC series Housing
- *Color: White



Ordering Information & Dimensions:

PART NO.	Dimensions	
	A	B
A3963WRH-02P	3.96	7.92
A3963WRH-03P	7.92	11.88
A3963WRH-04P	11.88	15.84
A3963WRH-05P	15.84	19.80
A3963WRH-06P	19.80	23.76
A3963WRH-07P	23.76	27.72
A3963WRH-08P	27.72	31.68
A3963WRH-09P	31.68	35.64
A3963WRH-10P	35.64	39.60
A3963WRH-11P	39.60	43.56
A3963WRH-12P	43.56	47.52
A3963WRH-13P	47.52	51.48
A3963WRH-14P	51.48	55.44
A3963WRH-15P	55.44	59.40

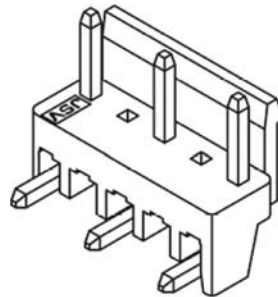
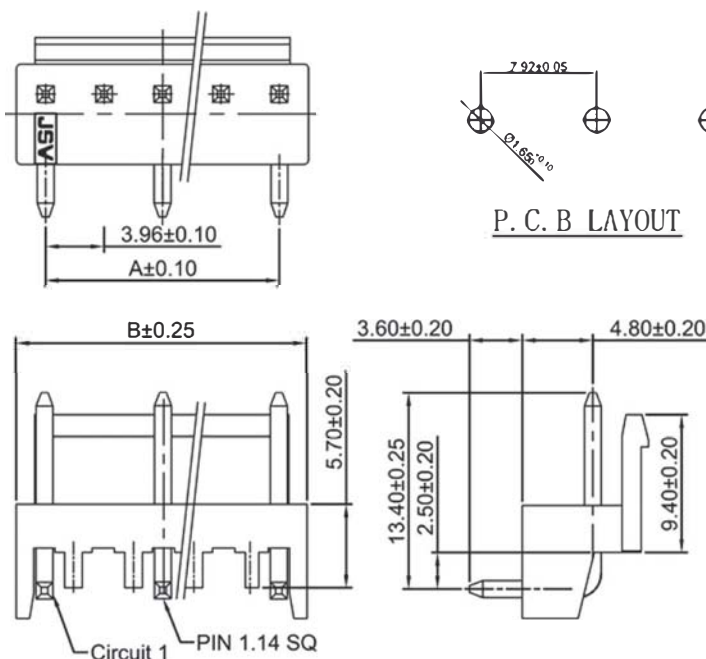
Unit: mm

A3963WRH-A

3.96mm pitch 180° Wafer

Reference Informations:

- *Material: Pin: Brass/Tin over Nickel
Insulator: Nylon 66, UL94V-0
- *Mates with JSV A3963H, A3963HA, A3963HC series Housing
- *Color: White



Ordering Information & Dimensions:

PART NO.	Dimensions	
	A	B
A3963WRH-A-03P	7.92	11.88
A3963WRH-A-05P	15.84	19.80
A3963WRH-A-07P	23.76	27.72
A3963WRH-A-09P	31.68	35.64
A3963WRH-A-11P	39.60	43.56
A3963WRH-A-13P	47.52	51.48

Unit: mm

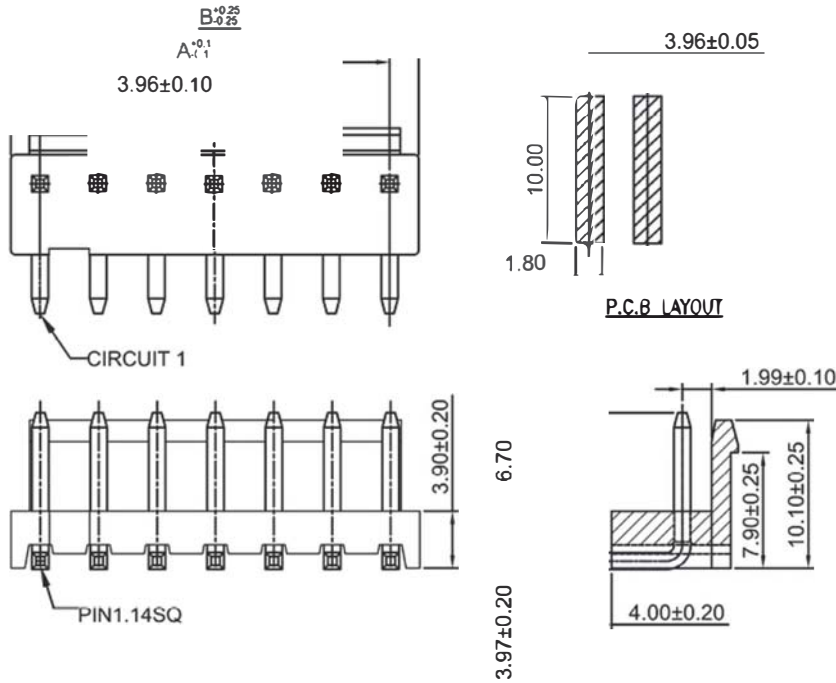
A3963 SERIES

3.96mm pitch wire to board connector

A3963WV-S } 3.96mm pitch 90° Wafer

Reference Informations:

- *Material:Pin:Brass/Tin over Nickel
Insulator:Nylon 66,UL94V-0
- *Mates with JSV A3963H , A3963HA , A3963HC series Housing
- *Color:White



Ordering Information & Dimensions:

PART NO.	Dimensions	
	A	B
A3963WV-S-02P	3.96	7.92
A3963WV-S-03P	7.92	11.88
A3963WV-S-04P	11.88	15.84
A3963WV-S-05P	15.84	19.80
A3963WV-S-06P	19.80	23.76
A3963WV-S-07P	23.76	27.72
A3963WV-S-08P	27.72	31.68
A3963WV-S-09P	31.68	35.64
A3963WV-S-10P	35.64	39.60
A3963WV-S-11P	39.60	43.56
A3963WV-S-12P	43.56	47.52
A3963WV-S-13P	47.52	51.48
A3963WV-S-14P	51.48	55.44
A3963WV-S-15P	55.44	59.40

Unit: mm