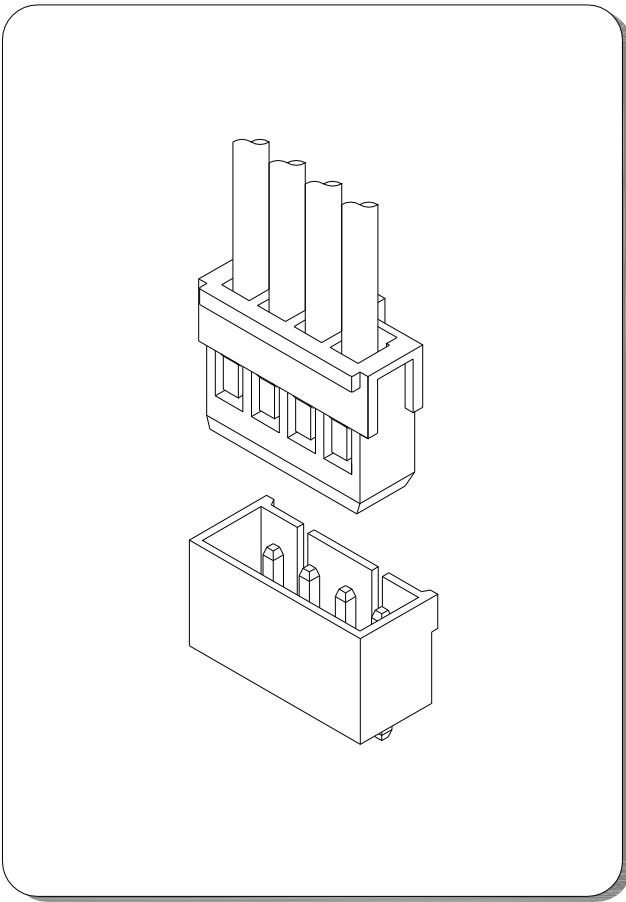


A3965 SERIES

3.96mm pitch wire to board connector



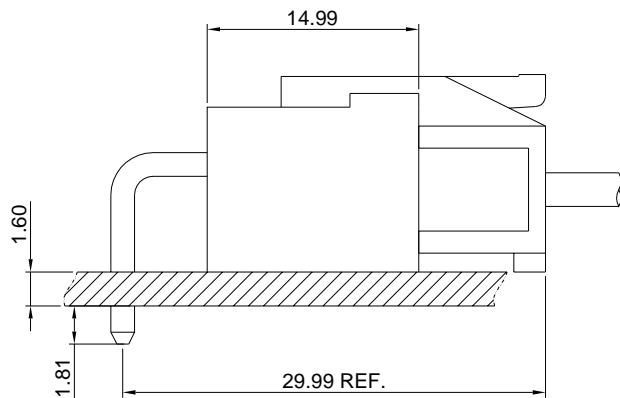
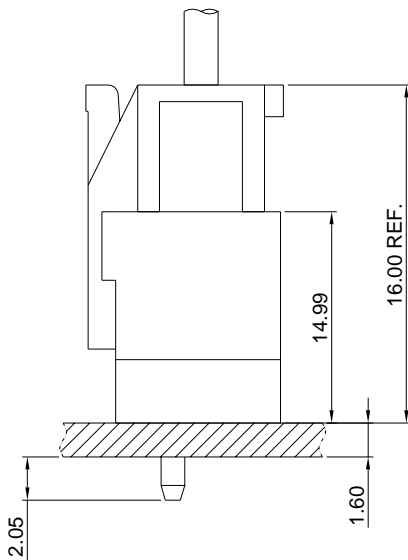
Specifications

- Current rating: 7A AC, DC
- Voltage rating: 250V AC, DC
- Temperature range: -40°C ~ +105°C
- Contact resistance: 10mΩ Max.
- Insulation resistance: 1000MΩ Min.
- Withstanding voltage: 1500V AC/minute
- *Compliant with RoHS and REACH*
- *Meet the HF/Halogen Free, GWT/Glow wire Test (IEC60335-1) request, need to customize*
- *Contact CJT for details*

Standards



Assembly layout



A3965 SERIES

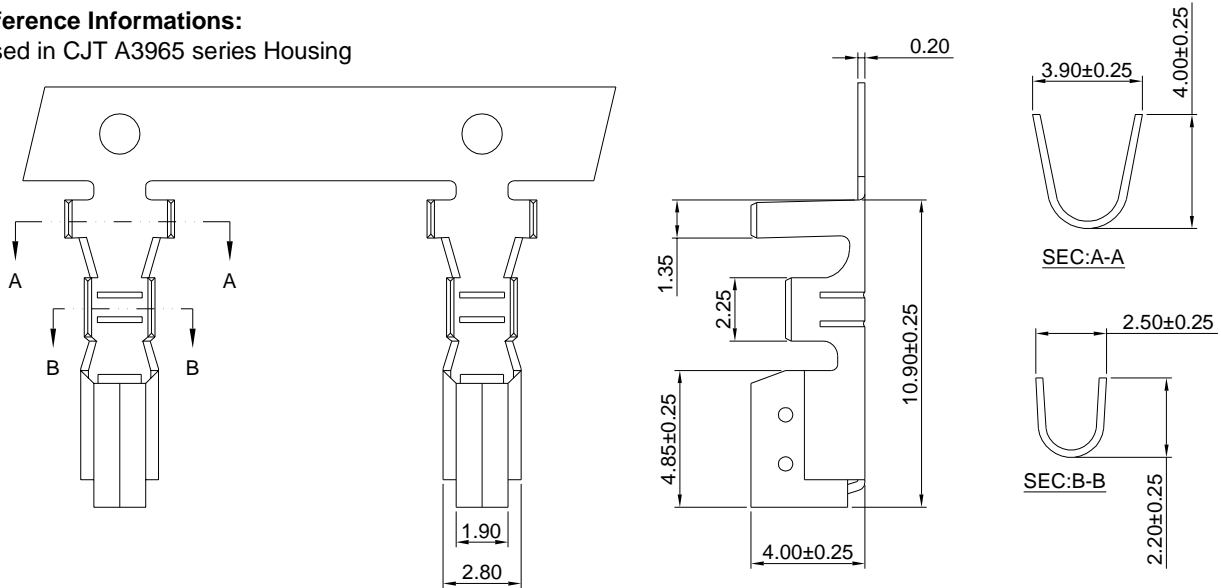
3.96mm pitch wire to board connector

A3965-T

3.96mm pitch Crimp Terminal

Reference Informations:

*Used in CJT A3965 series Housing



Ordering information & Specifications:

Unit:mm

Part NO.	Wire Range	Insulation O.D.	Material	Finish	Qty/reel
A3965-TB	AWG#18-#24	3.20mm(max)	Brass	Tin over Nickel	3,000 PCS
A3965-TP	AWG#18-#24	3.20mm(max)	Phosphor Bronze	Tin over Nickel	3,000 PCS
A3965-GB	AWG#18-#24	3.20mm(max)	Brass	Gold over Nickel	3,000 PCS
A3965-GP	AWG#18-#24	3.20mm(max)	Phosphor Bronze	Gold over Nickel	3,000 PCS

Optional Gold plating available but MOQ requested

A3965H

3.96mm pitch Housing

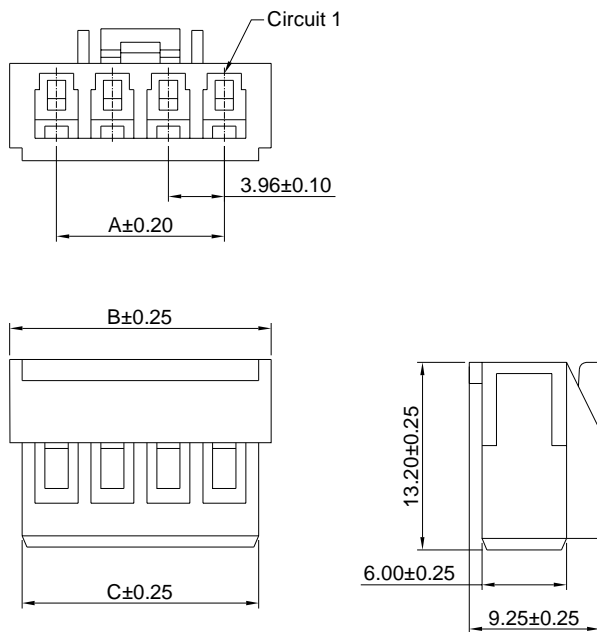
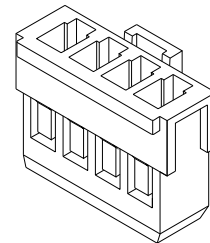
Reference Informations:

*Material:Nylon 66,UL94V-0

*Suitable CJT A3965 series Terminal

*Mates with CJT A3965 series Wafer

*Color:White



Ordering Information & Dimensions:

PART NO.	Dimensions		
	A	B	C
A3965H-2P	3.96	10.48	8.78
A3965H-3P	7.92	14.44	12.74
A3965H-4P	11.88	18.40	16.70
A3965H-5P	15.84	22.36	20.66
A3965H-6P	19.80	26.32	24.62
A3965H-7P	23.76	30.28	28.58
A3965H-8P	27.72	34.24	32.54
A3965H-9P	31.68	38.20	36.50
A3965H-10P	35.64	42.16	40.46
A3965H-11P	39.60	46.12	44.42
A3965H-12P	43.56	50.08	48.38
A3965H-13P	47.52	54.04	52.34
A3965H-14P	51.48	58.00	56.30
A3965H-15P	55.44	61.96	60.26

Unit: mm

A3965 SERIES

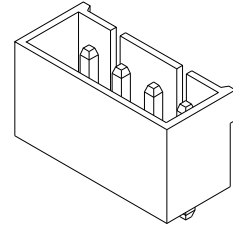
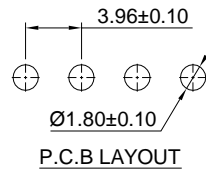
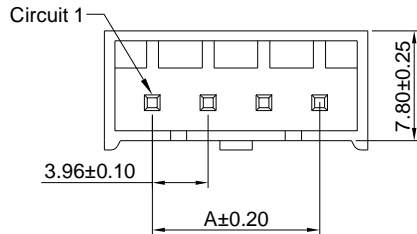
3.96mm pitch wire to board connector

A3965WV

3.96mm pitch 180° Wafer

Reference Informations:

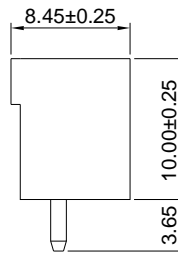
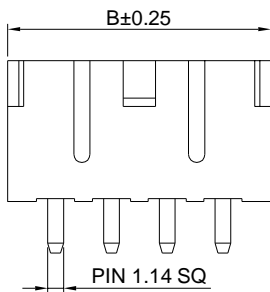
- *Material:Pin:Barss/Tin over Nickel
Insulator:Nylon 66 , UL94V-0
- *Mates with CJT A3965H series Housing
- *Color:White



Ordering Information & Dimensions:

PART NO.	Dimensions	
	A	B
A3965WV-2P	3.96	10.58
A3965WV-3P	7.92	14.54
A3965WV-4P	11.88	18.50
A3965WV-5P	15.84	22.46
A3965WV-6P	19.80	26.42
A3965WV-7P	23.76	30.38
A3965WV-8P	27.72	34.34
A3965WV-9P	31.68	38.30
A3965WV-10P	35.64	42.26
A3965WV-11P	39.60	46.22
A3965WV-12P	43.56	50.18
A3965WV-13P	47.52	54.14
A3965WV-14P	51.48	58.10
A3965WV-15P	55.44	62.06

Unit: mm

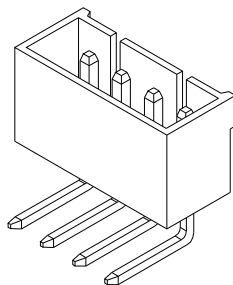
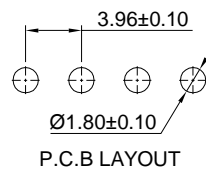
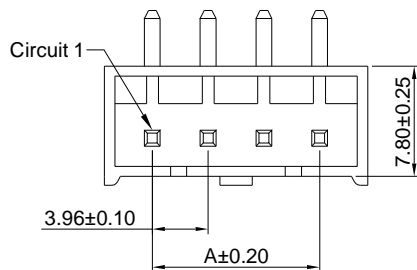


A3965WR

3.96mm pitch 90° Wafer

Reference Informations:

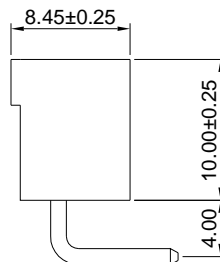
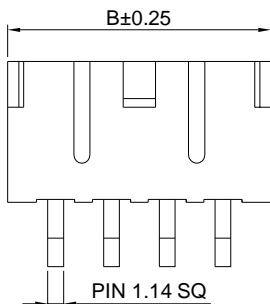
- *Material:Pin:Barss/Tin over Nickel
Insulator:Nylon 66 , UL94V-0
- *Mates with CJT A3965H series Housing
- *Color:White



Ordering Information & Dimensions:

PART NO.	Dimensions	
	A	B
A3965WR-2P	3.96	10.58
A3965WR-3P	7.92	14.54
A3965WR-4P	11.88	18.50
A3965WR-5P	15.84	22.46
A3965WR-6P	19.80	26.42
A3965WR-7P	23.76	30.38
A3965WR-8P	27.72	34.34
A3965WR-9P	31.68	38.30
A3965WR-10P	35.64	42.26
A3965WR-11P	39.60	46.22
A3965WR-12P	43.56	50.18
A3965WR-13P	47.52	54.14
A3965WR-14P	51.48	58.10
A3965WR-15P	55.44	62.06

Unit: mm



A3965 SERIES

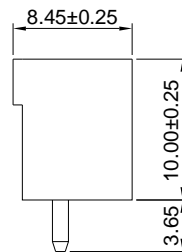
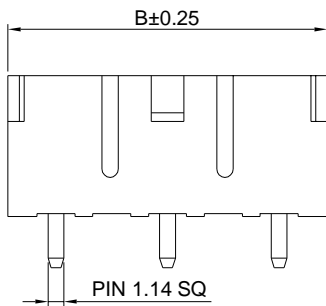
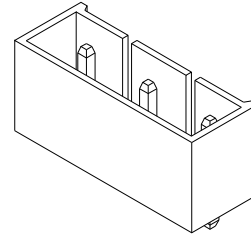
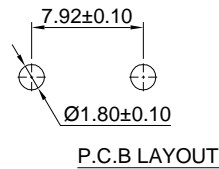
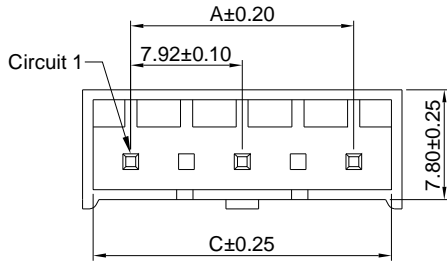
3.96mm pitch wire to board connector

A3965WV-A

3.96mm pitch 180° Wafer

Reference Informations:

- *Material:Pin:Barss/Tin over Nickel
Insulator:Nylon 66 , UL94V-0
- *Mates with CJT A3965H series Housing
- *Color:White



Ordering Information & Dimensions:

PART NO.	Dimensions		
	A	B	C
A3965WV-3P-A	7.92	14.74	13.14
A3965WV-5P-A	15.84	22.66	21.06
A3965WV-7P-A	23.76	30.58	28.98
A3965WV-9P-A	31.68	38.50	36.90
A3965WV-11P-A	39.60	46.52	44.82
A3965WV-13P-A	47.52	54.44	52.74
A3965WV-15P-A	55.44	62.36	60.66

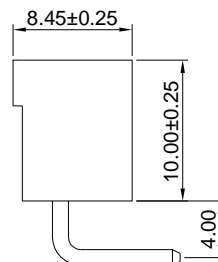
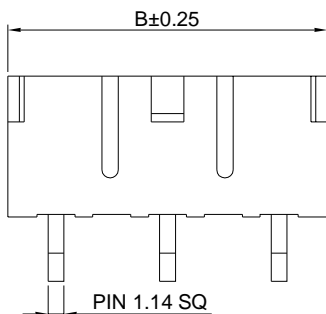
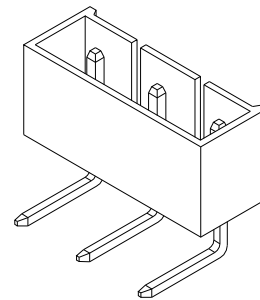
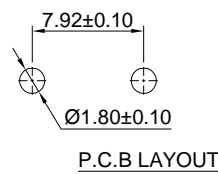
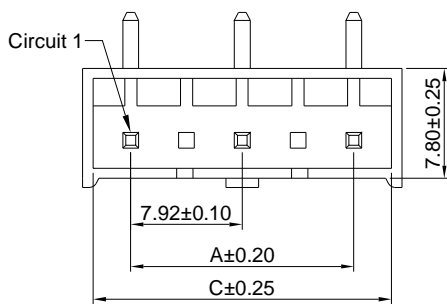
Unit: mm

A3965WR-A

3.96mm pitch 90° Wafer

Reference Informations:

- *Material:Pin:Barss/Tin over Nickel
Insulator:Nylon 66 , UL94V-0
- *Mates with CJT A3965H series Housing
- *Color:White



Ordering Information & Dimensions:

PART NO.	Dimensions		
	A	B	C
A3965WR-3P-A	7.92	14.74	13.14
A3965WR-5P-A	15.84	22.66	21.06
A3965WR-7P-A	23.76	30.58	28.98
A3965WR-9P-A	31.68	38.50	36.90
A3965WR-11P-A	39.60	46.52	44.82
A3965WR-13P-A	47.52	54.44	52.74
A3965WR-15P-A	55.44	62.36	60.66

Unit: mm