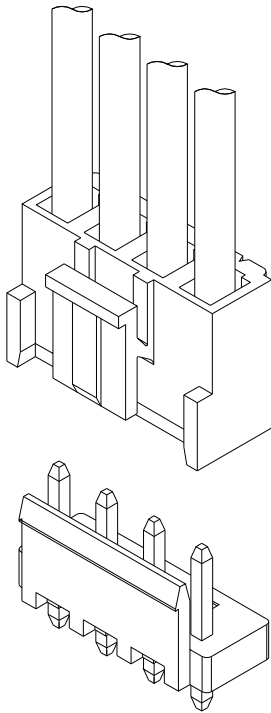


A5001 SERIES

5.00mm pitch wire to board connector



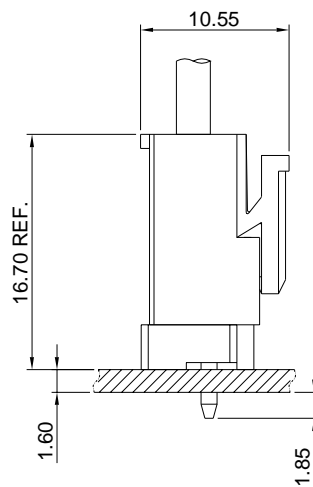
Specifications

- Current rating:10A AC,DC
- Voltage rating:250V AC,DC
- Temperature range:-40°C~+105°C
- Contact resistance:10mΩMax.
- Insulation resistance:1000MΩMin.
- Withstanding voltage:1500V AC/minute
- *Compliant with RoHS and REACH*
- *Meet the HF/Halogen Free,GWT/Glow wire Test (IEC60335-1) request,need to customize*
- *Contact for details*

Standards



Assembly layout



A5001 SERIES

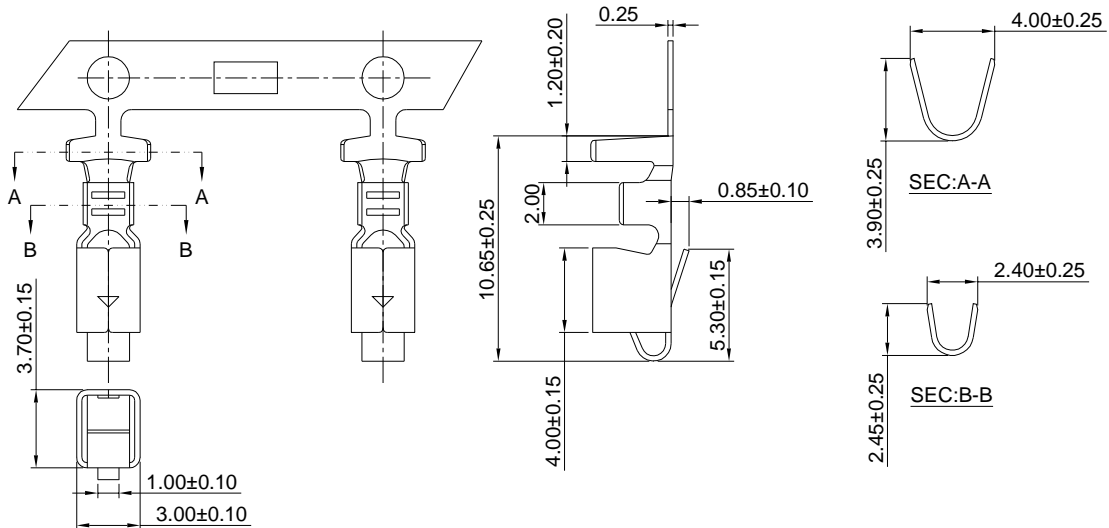
5.00mm pitch wire to board connector

A5001-T

5.00mm pitch Crimp Terminal

Reference Informations:

*Used in A5001 series Housing



Ordering information & Specifications:

Unit:mm

Part NO.	Wire Range	Insulation O.D.	Material	Finish	Qty/reel
A5001-TB	AWG#18-#22	3.00mm(max)	Brass	Tin over Nickel	4,000 PCS
A5001-TP	AWG#18-#22	3.00mm(max)	Phosphor Bronze	Tin over Nickel	4,000 PCS
A5001-GB	AWG#18-#22	3.00mm(max)	Brass	Gold over Nickel	4,000 PCS
A5001-GP	AWG#18-#22	3.00mm(max)	Phosphor Bronze	Gold over Nickel	4,000 PCS

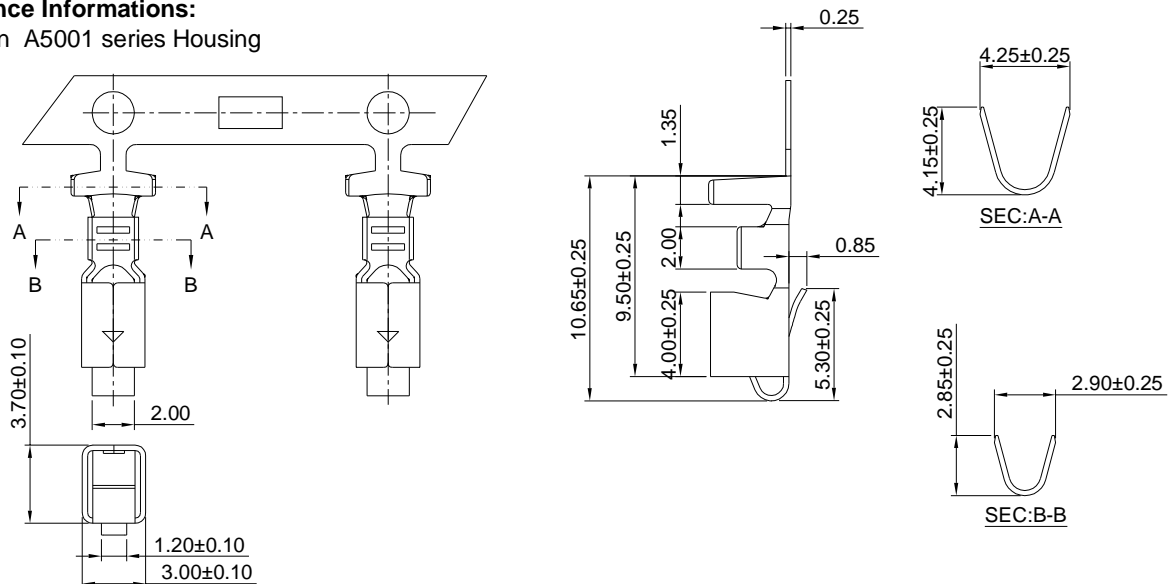
Optional Gold plating available but MOQ requested

A5001-T-H

5.00mm pitch Crimp Terminal

Reference Informations:

*Used in A5001 series Housing



Ordering information & Specifications:

Unit:mm

Part NO.	Wire Range	Insulation O.D.	Material	Finish	Qty/reel
A5001-TB-H	AWG#16-#20	3.40mm(max)	Brass	Tin over Nickel	4,000 PCS
A5001-TP-H	AWG#16-#20	3.40mm(max)	Phosphor Bronze	Tin over Nickel	4,000 PCS
A5001-GB-H	AWG#16-#20	3.40mm(max)	Brass	Gold over Nickel	4,000 PCS
A5001-GP-H	AWG#16-#20	3.40mm(max)	Phosphor Bronze	Gold over Nickel	4,000 PCS

Optional Gold plating available but MOQ requested

A5001 SERIES

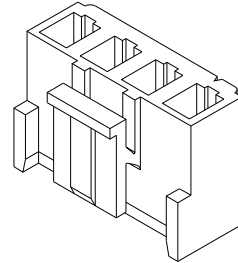
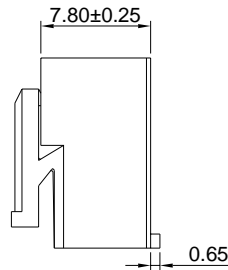
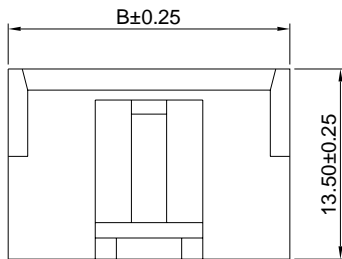
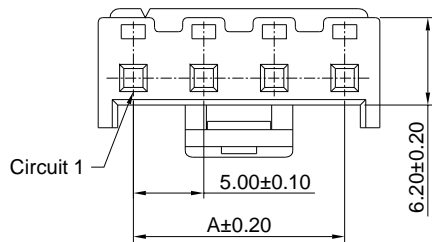
5.00mm pitch wire to board connector

A5001H

5.00mm pitch Housing

Reference Informations:

- *Material:Nylon 66,UL94V-0
- *Suitable A5001 series Terminal
- *Mates with A5001 series Wafer
- *Color:White



Ordering Information & Dimensions:

PART NO.	Dimensions	
	A	B
A5001H-2P	5.00	10.00
A5001H-3P	10.00	15.00
A5001H-4P	15.00	20.00

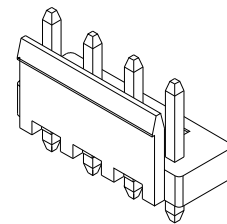
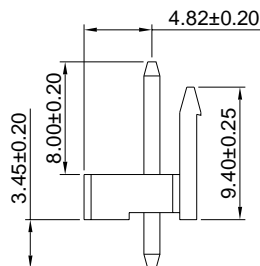
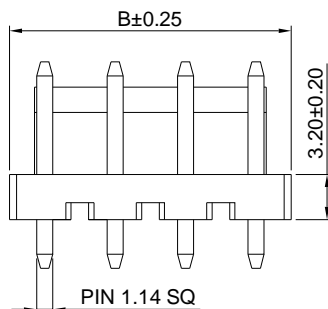
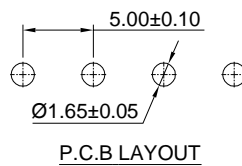
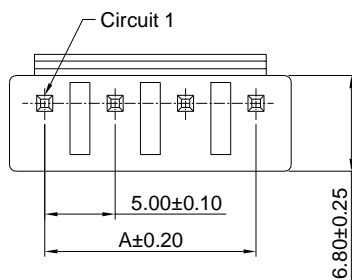
Unit: mm

A5001WV

5.00mm pitch 180° Wafer

Reference Informations:

- *Material:Pin:Brass/Tin over Nickel
Insulator:Nylon 66,UL94V-0
- *Mates with A5001 series Housing
- *Color:White



Ordering Information & Dimensions:

PART NO.	Dimensions	
	A	B
A5001WV-2P	5.00	10.00
A5001WV-3P	10.00	15.00
A5001WV-4P	15.00	20.00

Unit: mm