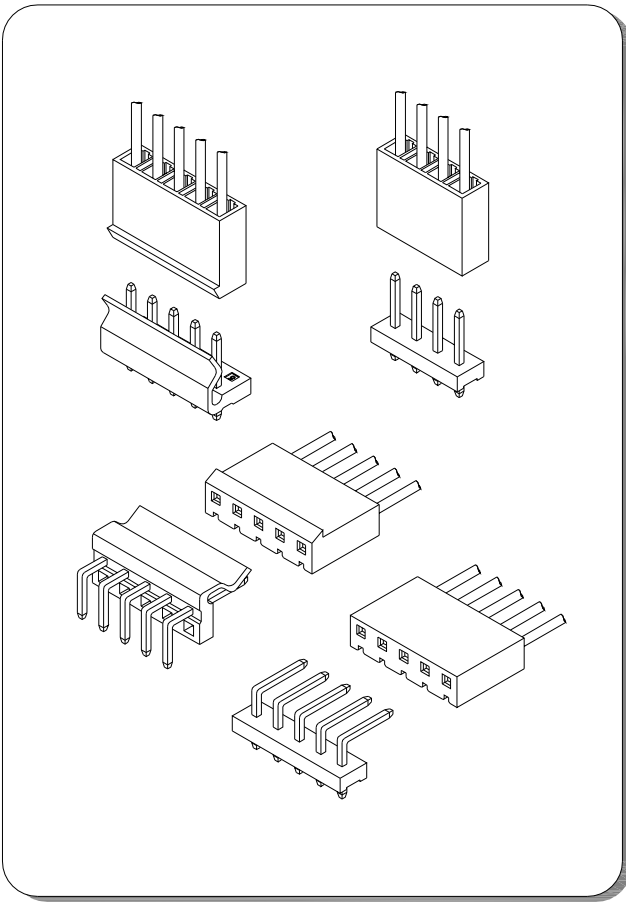


A5081 SERIES

5.08mm pitch wire to board connector



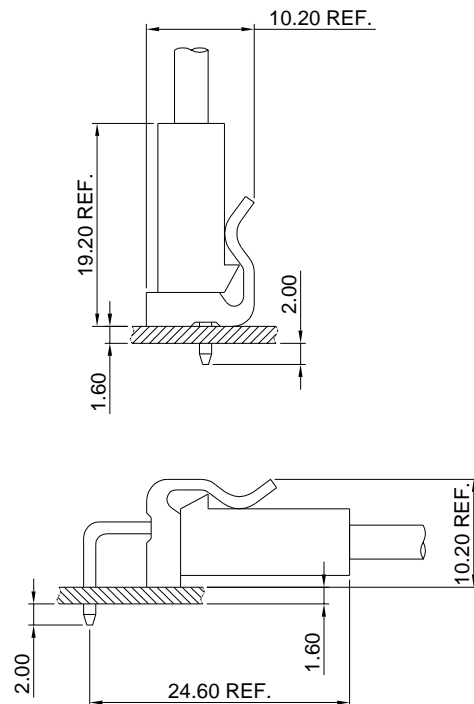
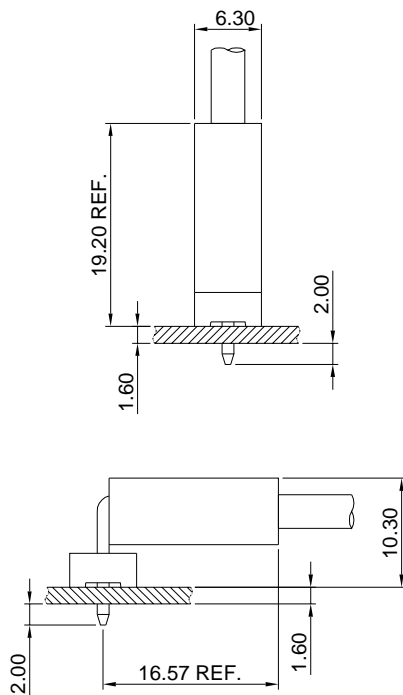
Specifications

- Current rating: 7A AC, DC
- Voltage rating: 250V AC, DC
- Temperature range: -40°C ~ +105°C
- Contact resistance: 10mΩ Max.
- Insulation resistance: 1000MΩ Min.
- Withstanding voltage: 1500V AC/minute
- *Compliant with RoHS and REACH*
- *Meet the HF/Halogen Free, GWT/Glow wire Test (IEC60335-1) request, need to customize*
- *Contact for details*

Standards



Assembly layout



A5081 SERIES

5.08mm pitch wire to board connector

A5081H

5.08mm pitch Housing

Reference Informations:

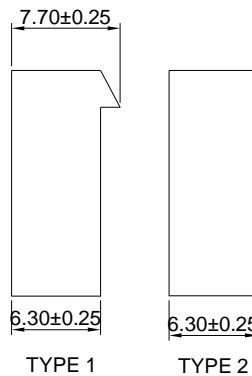
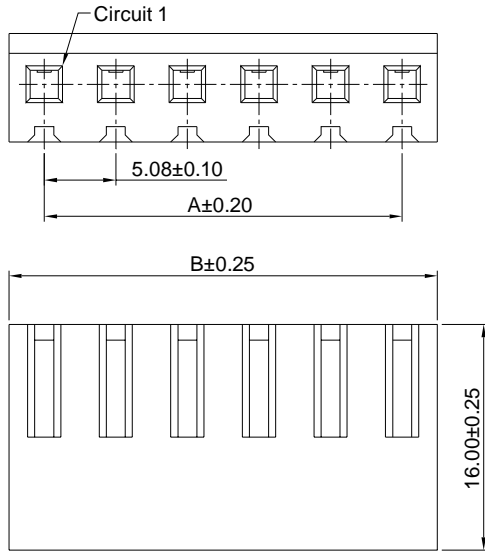
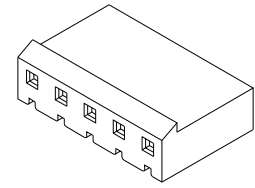
- *Material:Nylon 66,UL94V-2
- *Suitable A3961 series Terminal
- *Mates with A5081 series Wafer
- *Color:Natural

Ordering Information:

A5081H-XP - * - **
1 2 3

- 1.Part No.
- 2.Style:
(blank)-Type 1
2-Type 2
- 3.Material:

(blank)-Nylon 66,UL94V-2(Natural)
V0-Nylon 66,UL94V-0(White)



Ordering Information & Dimensions:

PART NO.	Dimensions	
	A	B
A5081H-2P	5.08	10.08
A5081H-3P	10.16	15.16
A5081H-4P	15.24	20.24
A5081H-5P	20.32	25.32
A5081H-6P	25.40	30.40
A5081H-7P	30.48	35.48
A5081H-8P	35.56	40.56
A5081H-9P	40.64	45.64
A5081H-10P	45.72	50.72
A5081H-11P	50.80	55.80
A5081H-12P	55.88	60.88
A5081H-13P	60.96	65.96
A5081H-14P	66.04	71.04
A5081H-15P	71.12	76.12
A5081H-16P	76.20	81.20
A5081H-17P	81.28	86.28
A5081H-18P	86.36	91.36
A5081H-19P	91.44	96.44
A5081H-20P	96.52	101.52

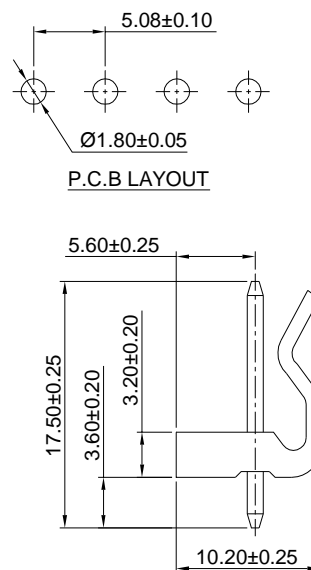
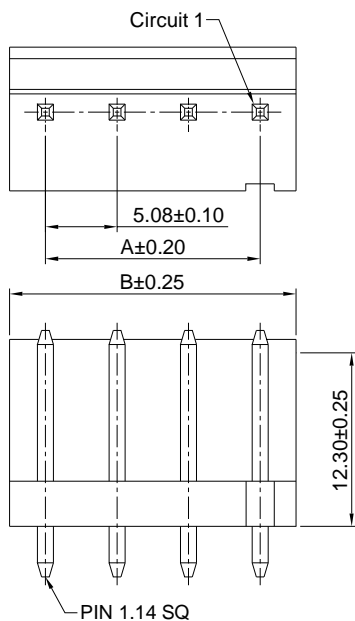
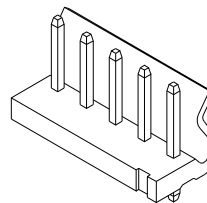
Unit: mm

A5081WV

5.08mm pitch 180° Wafer

Reference Informations:

- *Material:Pin:Brass/Tin over Nickel
Insulator:Nylon 66,UL94V-2
- *Mates with A5081 A5082 series Housing
- *Color:Natural



Ordering Information & Dimensions:

PART NO.	Dimensions	
	A	B
A5081WV-2P	5.08	10.16
A5081WV-3P	10.16	15.24
A5081WV-4P	15.24	20.32
A5081WV-5P	20.32	25.40
A5081WV-6P	25.40	30.48
A5081WV-7P	30.48	35.56
A5081WV-8P	35.56	40.64
A5081WV-9P	40.64	45.72
A5081WV-10P	45.72	50.80
A5081WV-11P	50.80	55.88
A5081WV-12P	55.88	60.96
A5081WV-13P	60.96	66.04
A5081WV-14P	66.04	71.12
A5081WV-15P	71.12	76.20
A5081WV-16P	76.20	81.28
A5081WV-17P	81.28	86.36
A5081WV-18P	86.36	91.44
A5081WV-19P	91.44	96.52
A5081WV-20P	96.52	101.60

Unit: mm

A5081 SERIES

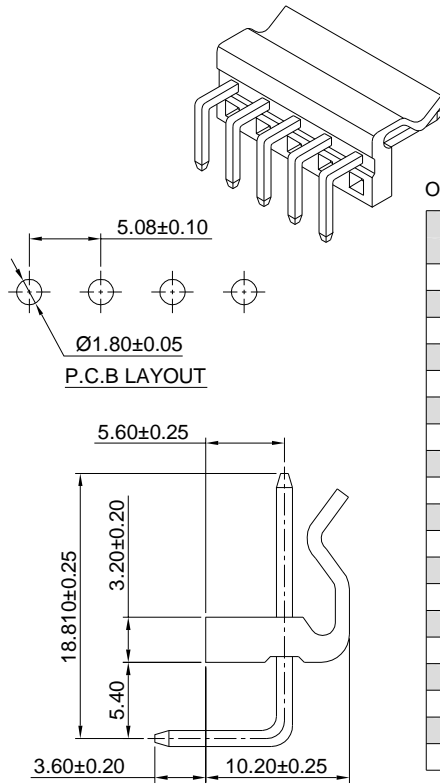
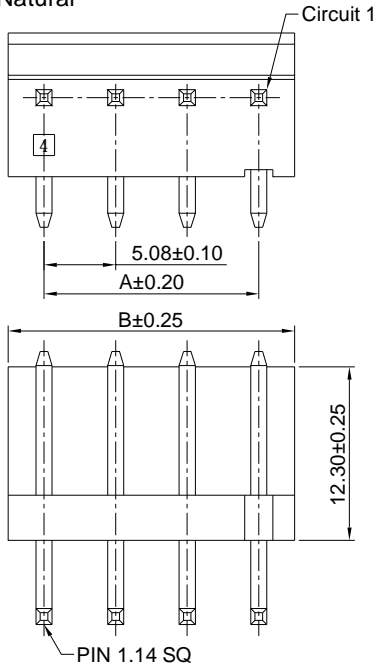
5.08mm pitch wire to board connector

A5081WR

5.08mm pitch 90° Wafer

Reference Informations:

- *Material:Pin:Brass/Tin over Nickel
Insulator:Nylon 66,UL94V-2
- *Mates with A5081 A5082 series Housing
- *Color:Natural



Ordering Information & Dimensions:

PART NO.	Dimensions	
	A	B
A5081WR-2P	5.08	10.16
A5081WR-3P	10.16	15.24
A5081WR-4P	15.24	20.32
A5081WR-5P	20.32	25.40
A5081WR-6P	25.40	30.48
A5081WR-7P	30.48	35.56
A5081WR-8P	35.56	40.64
A5081WR-9P	40.64	45.72
A5081WR-10P	45.72	50.80
A5081WR-11P	50.80	55.88
A5081WR-12P	55.88	60.96
A5081WR-13P	60.96	66.04
A5081WR-14P	66.04	71.12
A5081WR-15P	71.12	76.20
A5081WR-16P	76.20	81.28
A5081WR-17P	81.28	86.36
A5081WR-18P	86.36	91.44
A5081WR-19P	91.44	96.52
A5081WR-20P	96.52	101.60

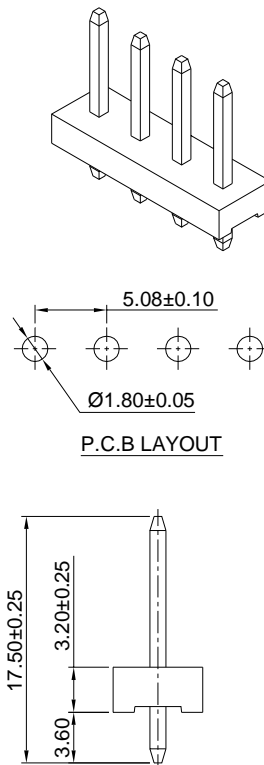
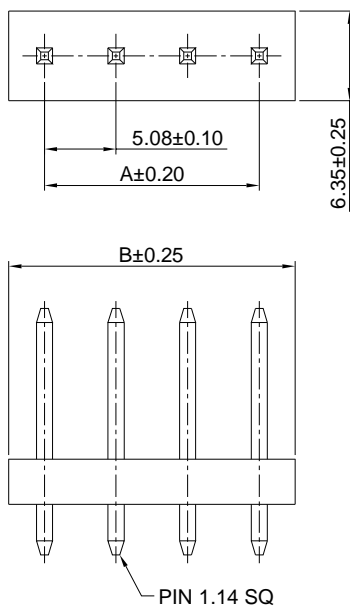
Unit: mm

A5081WVA

5.08mm pitch 180° Wafer

Reference Informations:

- *Material:Pin:Brass/Tin over Nickel
Insulator:Nylon 66,UL94V-2
- *Mates with A5081 A5082 series Housing
- *Color:Natural



Ordering Information & Dimensions:

PART NO.	Dimensions	
	A	B
A5081WVA-2P	5.08	10.16
A5081WVA-3P	10.16	15.24
A5081WVA-4P	15.24	20.32
A5081WVA-5P	20.32	25.40
A5081WVA-6P	25.40	30.48
A5081WVA-7P	30.48	35.56
A5081WVA-8P	35.56	40.64
A5081WVA-9P	40.64	45.72
A5081WVA-10P	45.72	50.80
A5081WVA-11P	50.80	55.88
A5081WVA-12P	55.88	60.96
A5081WVA-13P	60.96	66.04
A5081WVA-14P	66.04	71.12
A5081WVA-15P	71.12	76.20
A5081WVA-16P	76.20	81.28
A5081WVA-17P	81.28	86.36
A5081WVA-18P	86.36	91.44
A5081WVA-19P	91.44	96.52
A5081WVA-20P	96.52	101.60

Unit: mm

A5081 SERIES

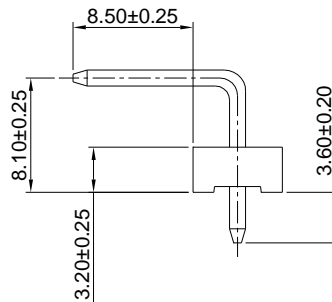
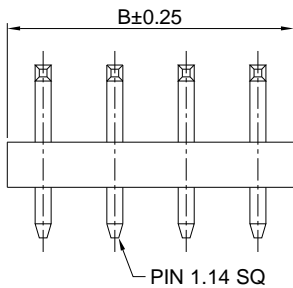
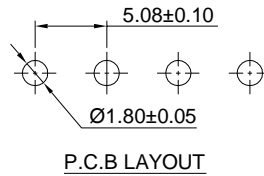
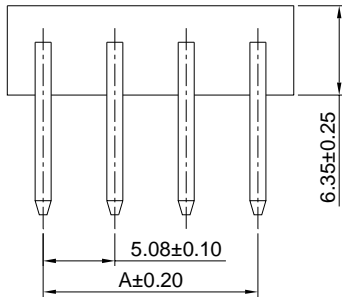
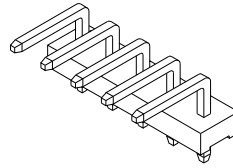
5.08mm pitch wire to board connector

A5081WRA

5.08mm pitch 90° Wafer

Reference Informations:

- *Material:Pin:Brass/Tin over Nickel
Insulator:Nylon 66,UL94V-2
- *Mates with A5081 A5082 series Housing
- *Color:Natural



Ordering Information & Dimensions:

PART NO.	Dimensions	
	A	B
A5081WRA-2P	5.08	10.16
A5081WRA-3P	10.16	15.24
A5081WRA-4P	15.24	20.32
A5081WRA-5P	20.32	25.40
A5081WRA-6P	25.40	30.48
A5081WRA-7P	30.48	35.56
A5081WRA-8P	35.56	40.64
A5081WRA-9P	40.64	45.72
A5081WRA-10P	45.72	50.80
A5081WRA-11P	50.80	55.88
A5081WRA-12P	55.88	60.96
A5081WRA-13P	60.96	66.04
A5081WRA-14P	66.04	71.12
A5081WRA-15P	71.12	76.20
A5081WRA-16P	76.20	81.28
A5081WRA-17P	81.28	86.36
A5081WRA-18P	86.36	91.44
A5081WRA-19P	91.44	96.52
A5081WRA-20P	96.52	101.60

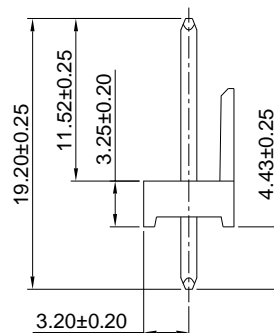
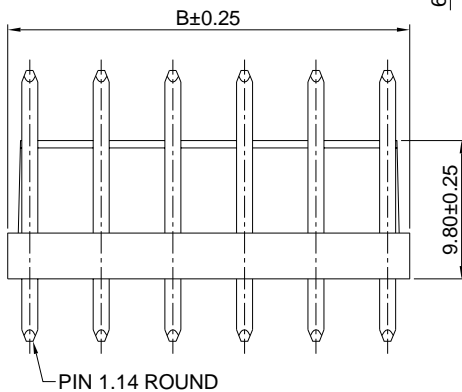
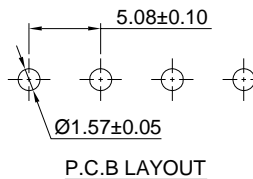
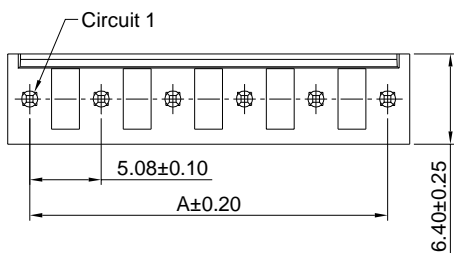
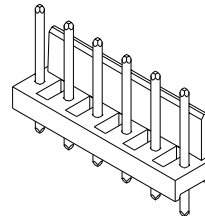
Unit: mm

A5081WVB

5.08mm pitch 180° Wafer

Reference Informations:

- *Material:Pin:Brass/Tin over Nickel
Insulator:Nylon 66,UL94V-2
- *Mates with A5081 A5082 series Housing
- *Color:Natural



Ordering Information & Dimensions:

PART NO.	Dimensions	
	A	B
A5081WVB-2P	5.08	8.20
A5081WVB-3P	10.16	13.28
A5081WVB-4P	15.24	18.36
A5081WVB-5P	20.32	23.44
A5081WVB-6P	25.40	28.52
A5081WVB-7P	30.48	33.60
A5081WVB-8P	35.56	38.68
A5081WVB-9P	40.64	43.76
A5081WVB-10P	45.72	48.84
A5081WVB-11P	50.80	53.92
A5081WVB-12P	55.88	59.00
A5081WVB-13P	60.96	64.08
A5081WVB-14P	66.04	69.16
A5081WVB-15P	71.12	74.24
A5081WVB-16P	76.20	79.32
A5081WVB-17P	81.28	84.40
A5081WVB-18P	86.36	89.48
A5081WVB-19P	91.44	94.56
A5081WVB-20P	96.52	99.64

Unit: mm

A5081 SERIES

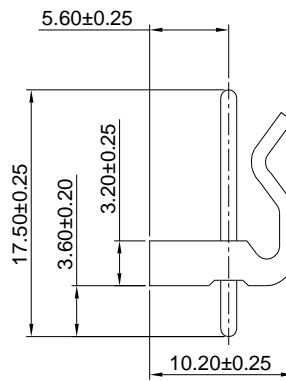
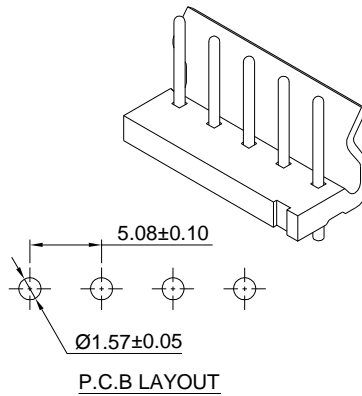
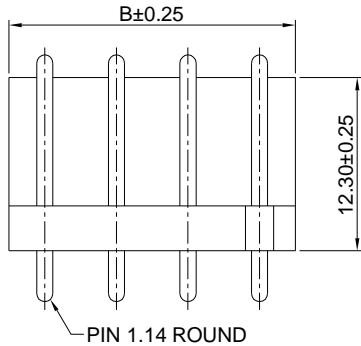
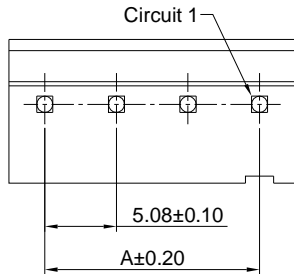
5.08mm pitch wire to board connector

A5081WV-R

5.08mm pitch 180° Wafer Round Pin

Reference Informations:

- *Material:Pin:Brass/Tin over Nickel
Insulator:Nylon 66,UL94V-2
- *Mates with A5081 A5082 series Housing
- *Color:Natural



Ordering Information & Dimensions:

PART NO.	Dimensions	
	A	B
A5081WV-2P-R	5.08	10.16
A5081WV-3P-R	10.16	15.24
A5081WV-4P-R	15.24	20.32
A5081WV-5P-R	20.32	25.40
A5081WV-6P-R	25.40	30.48
A5081WV-7P-R	30.48	35.56
A5081WV-8P-R	35.56	40.64
A5081WV-9P-R	40.64	45.72
A5081WV-10P-R	45.72	50.80
A5081WV-11P-R	50.80	55.88
A5081WV-12P-R	55.88	60.96
A5081WV-13P-R	60.96	66.04
A5081WV-14P-R	66.04	71.12
A5081WV-15P-R	71.12	76.20
A5081WV-16P-R	76.20	81.28
A5081WV-17P-R	81.28	86.36
A5081WV-18P-R	86.36	91.44
A5081WV-19P-R	91.44	96.52
A5081WV-20P-R	96.52	101.60

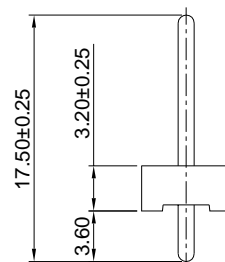
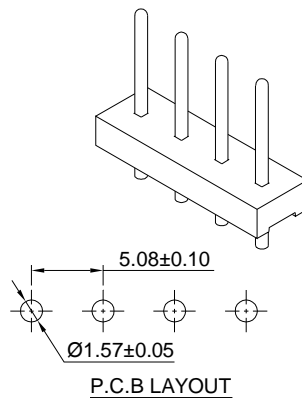
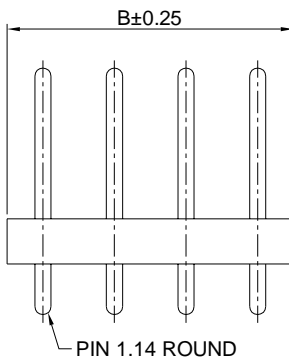
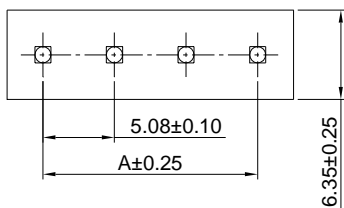
Unit: mm

A5081WVA-R

5.08mm pitch 180° Wafer Round Pin

Reference Informations:

- *Material:Pin:Brass/Tin over Nickel
Insulator:Nylon 66,UL94V-2
- *Mates with A5081 A5082 series Housing
- *Color:Natural



Ordering Information & Dimensions:

PART NO.	Dimensions	
	A	B
A5081WVA-2P-R	5.08	10.16
A5081WVA-3P-R	10.16	15.24
A5081WVA-4P-R	15.24	20.32
A5081WVA-5P-R	20.32	25.40
A5081WVA-6P-R	25.40	30.48
A5081WVA-7P-R	30.48	35.56
A5081WVA-8P-R	35.56	40.64
A5081WVA-9P-R	40.64	45.72
A5081WVA-10P-R	45.72	50.80
A5081WVA-11P-R	50.80	55.88
A5081WVA-12P-R	55.88	60.96
A5081WVA-13P-R	60.96	66.04
A5081WVA-14P-R	66.04	71.12
A5081WVA-15P-R	71.12	76.20
A5081WVA-16P-R	76.20	81.28
A5081WVA-17P-R	81.28	86.36
A5081WVA-18P-R	86.36	91.44
A5081WVA-19P-R	91.44	96.52
A5081WVA-20P-R	96.52	101.60

Unit: mm

A5081 SERIES

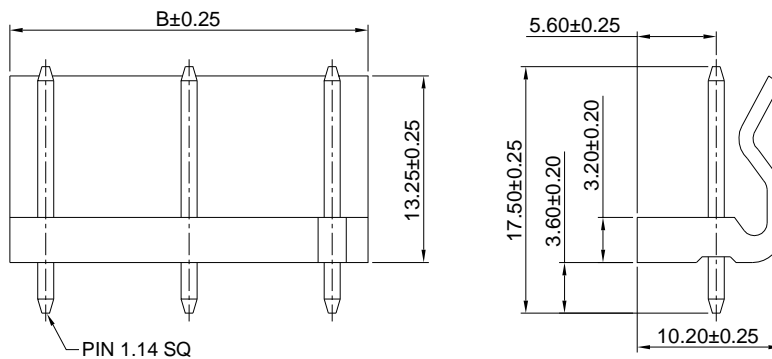
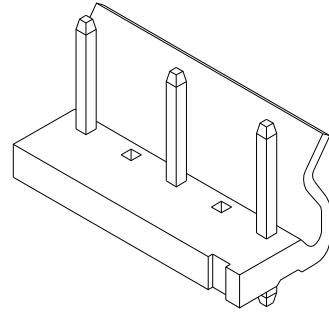
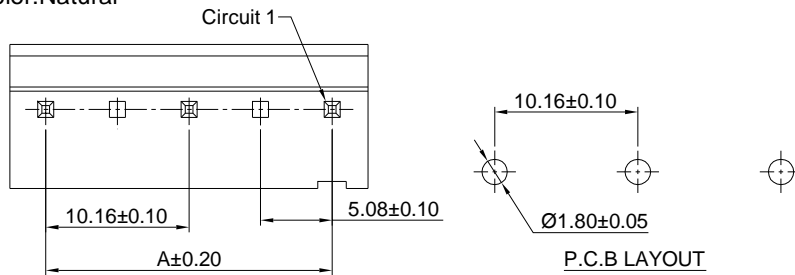
5.08mm pitch wire to board connector

A5081WV-A

5.08mm pitch 180° Wafer

Reference Informations:

- *Material:Pin:Brass/Tin over Nickel
Insulator:Nylon 66,UL94V-2
- *Mates with A5081 A5082 series Housing
- *Color:Natural



Ordering Information & Dimensions:

PART NO.	Dimensions	
	A	B
A5081WV-3P-A	10.16	15.24
A5081WV-5P-A	20.32	25.40
A5081WV-7P-A	30.48	35.56
A5081WV-9P-A	40.64	45.72
A5081WV-11P-A	50.80	55.88
A5081WV-13P-A	60.96	66.04
A5081WV-15P-A	71.12	76.20
A5081WV-17P-A	81.28	86.36
A5081WV-19P-A	91.44	96.52

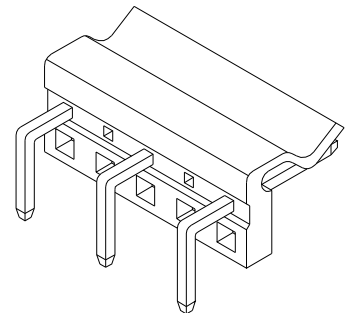
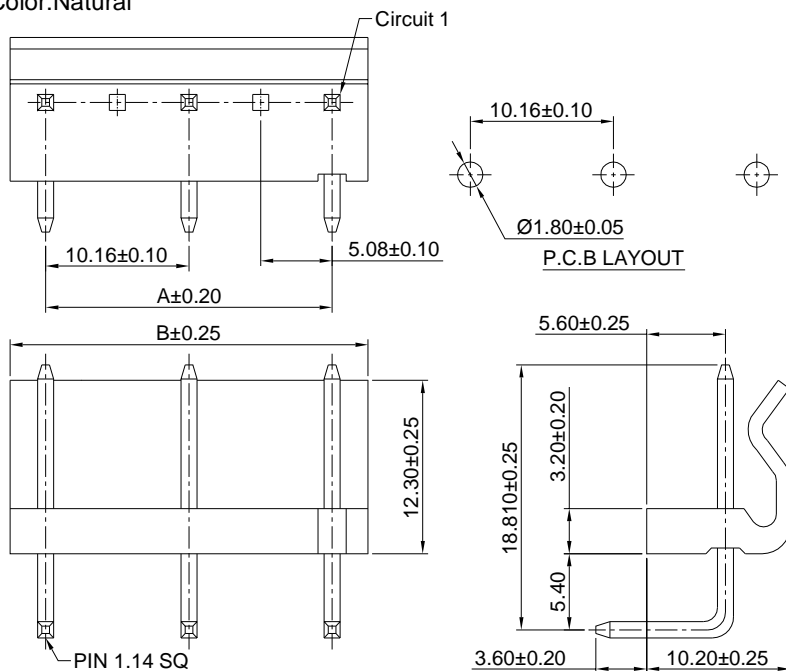
Unit: mm

A5081WR-A

5.08mm pitch 90° Wafer

Reference Informations:

- *Material:Pin:Brass/Tin over Nickel
Insulator:Nylon 66,UL94V-2
- *Mates with A5081 A5082 series Housing
- *Color:Natural



Ordering Information & Dimensions:

PART NO.	Dimensions	
	A	B
A5081WR-3P-A	10.16	15.24
A5081WR-5P-A	20.32	25.40
A5081WR-7P-A	30.48	35.56
A5081WR-9P-A	40.64	45.72
A5081WR-11P-A	50.80	55.88
A5081WR-13P-A	60.96	66.04
A5081WR-15P-A	71.12	76.20
A5081WR-17P-A	81.28	86.36
A5081WR-19P-A	91.44	96.52

Unit: mm