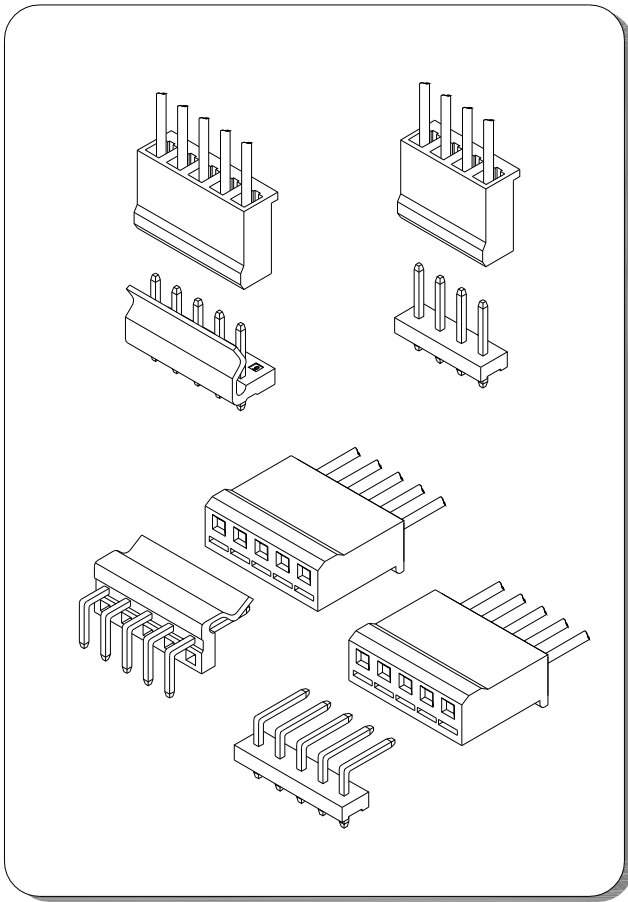


A5082 SERIES

5.08mm pitch wire to board connector



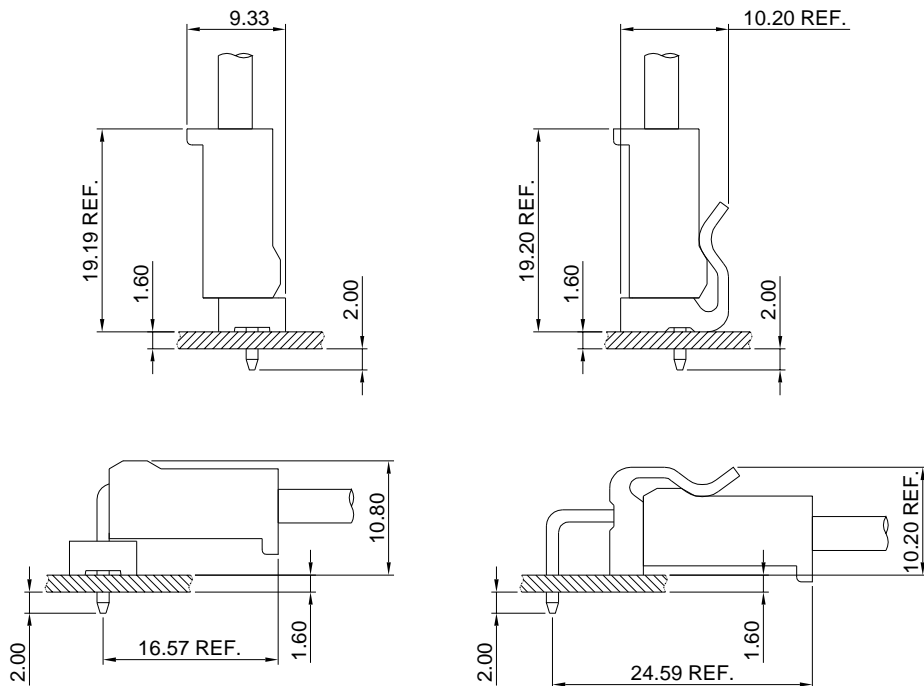
Specifications

- Current rating: 7A AC, DC
- Voltage rating: 250V AC, DC
- Temperature range: -40°C ~ +105°C
- Contact resistance: 10mΩ Max.
- Insulation resistance: 1000MΩ Min.
- Withstanding voltage: 1500V AC/minute
- *Compliant with RoHS and REACH*
- *Meet the HF/Halogen Free, GWT/Glow wire Test (IEC60335-1) request, need to customize*
- *Contact for details*

Standards



Assembly layout



A5082 SERIES

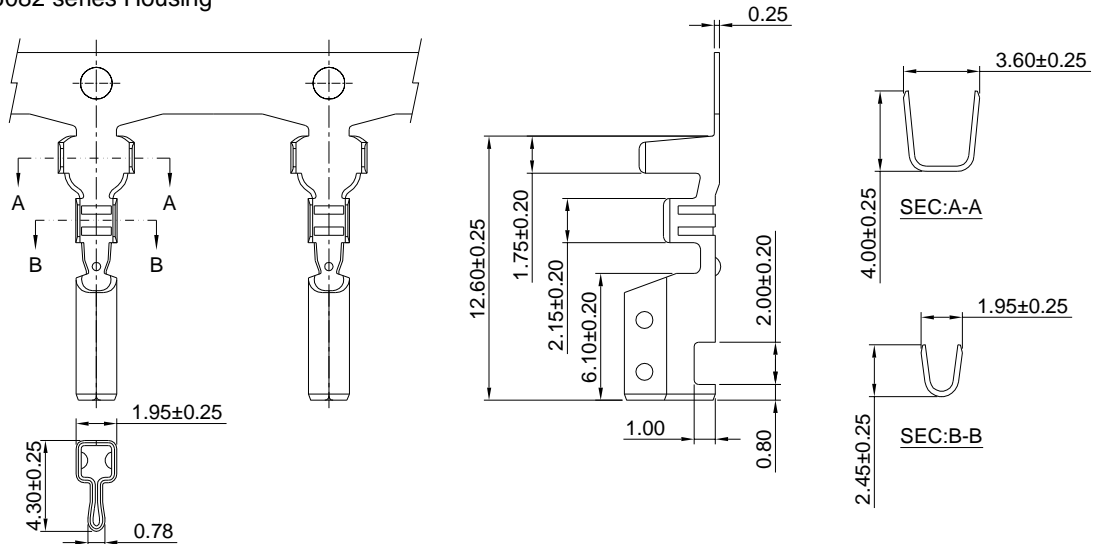
5.08mm pitch wire to board connector

A5082-T

5.08mm pitch Crimp Terminal

Reference Informations:

*Used in A5082 series Housing



Ordering information & Specifications:

Unit:mm

Part NO.	Wire Range	Insulation O.D.	Material	Finish	Qty/reel
A5082-TB	AWG#18-#24	3.20mm(max)	Brass	Tin over Nickel	5,000 PCS
A5082-TP	AWG#18-#24	3.20mm(max)	Phosphor Bronze	Tin over Nickel	5,000 PCS
A5082-GB	AWG#18-#24	3.20mm(max)	Brass	Gold over Nickel	5,000 PCS
A5082-GP	AWG#18-#24	3.20mm(max)	Phosphor Bronze	Gold over Nickel	5,000 PCS

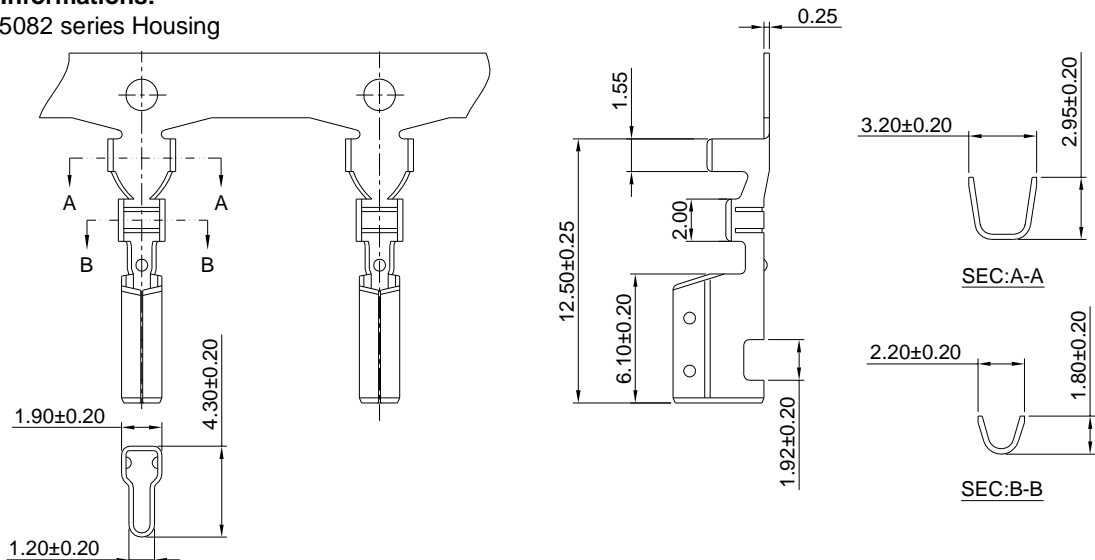
Optional Gold plating available but MOQ requested

A5082-T-L

5.08mm pitch Crimp Terminal

Reference Informations:

*Used in A5082 series Housing



Ordering information & Specifications:

Unit:mm

Part NO.	Wire Range	Insulation O.D.	Material	Finish	Qty/reel
A5082-TB-L	AWG#22-#28	2.60mm(max)	Brass	Tin over Nickel	5,000 PCS
A5082-TP-L	AWG#22-#28	2.60mm(max)	Phosphor Bronze	Tin over Nickel	5,000 PCS
A5082-GB-L	AWG#22-#28	2.60mm(max)	Brass	Gold over Nickel	5,000 PCS
A5082-GP-L	AWG#22-#28	2.60mm(max)	Phosphor Bronze	Gold over Nickel	5,000 PCS

A5082 SERIES

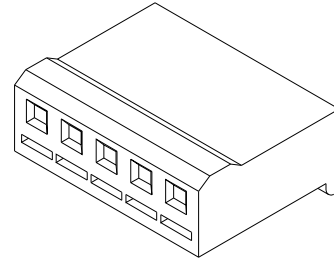
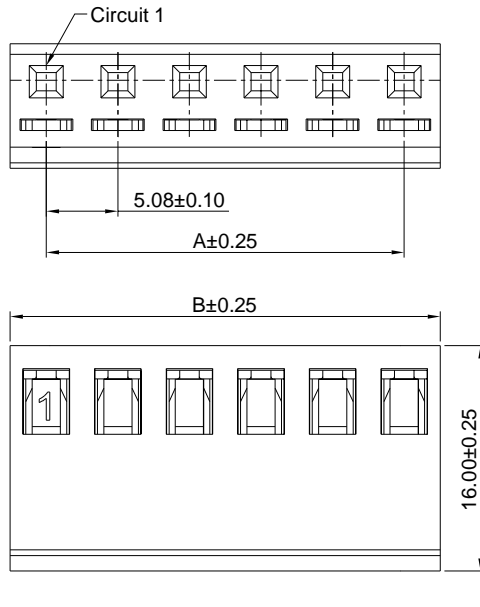
5.08mm pitch wire to board connector

A5082H

5.08mm pitch Housing

Reference Informations:

- *Material:Nylon 66,UL94V-2
- *Suitable A5082 series Terminal
- *Mates with A5081 series Wafer
- *Color:Natural



Ordering Information & Dimensions:

PART NO.	Dimensions	
	A	B
A5082H-2P	5.08	10.08
A5082H-3P	10.16	15.16
A5082H-4P	15.24	20.24
A5082H-5P	20.32	25.32
A5082H-6P	25.40	30.40
A5082H-7P	30.48	35.48
A5082H-8P	35.56	40.56
A5082H-9P	40.64	45.64
A5082H-10P	45.72	50.72
A5082H-11P	50.80	55.80
A5082H-12P	55.88	60.88

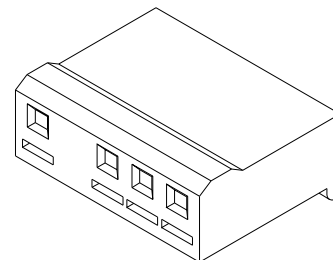
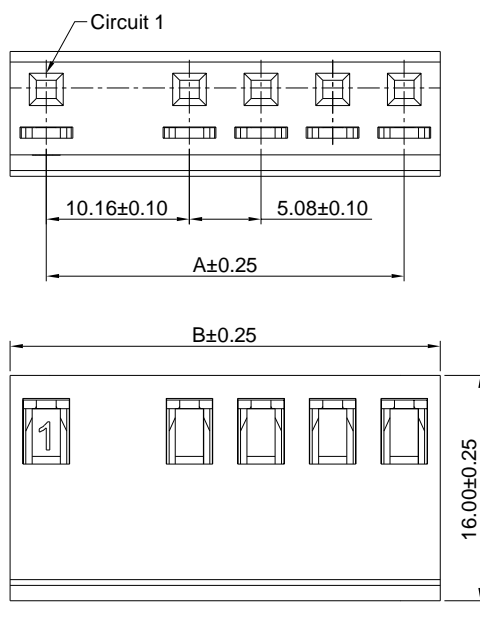
Unit: mm

A5082H-A

10.16-5.08mm pitch Housing

Reference Informations:

- *Material:Nylon 66,UL94V-2
- *Suitable A5082 series Terminal
- *Mates with A5081 series Wafer
- *Color:Natural



Ordering Information & Dimensions:

PART NO.	Dimensions	
	A	B
A5082H-3P-A	10.16	15.16
A5082H-4P-A	15.24	20.24
A5082H-5P-A	20.32	25.32
A5082H-6P-A	25.40	30.40
A5082H-7P-A	30.48	35.48
A5082H-8P-A	35.56	40.56
A5082H-9P-A	40.64	45.64
A5082H-10P-A	45.72	50.72
A5082H-11P-A	50.80	55.80
A5082H-12P-A	55.88	60.88

Unit: mm