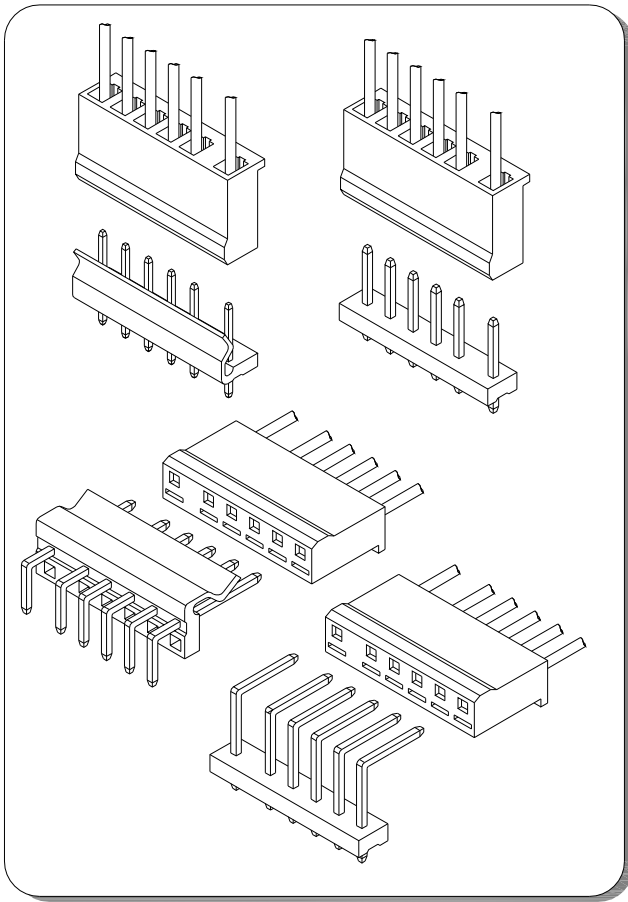


A7501 SERIES

7.50-5.00mm pitch wire to board connector



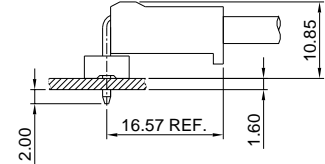
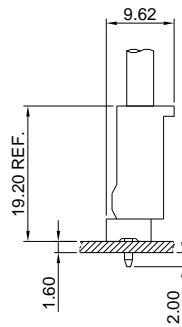
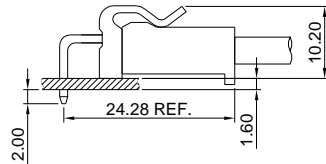
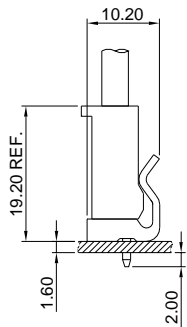
Specifications

- Current rating: 7A AC, DC
- Voltage rating: 250V AC, DC
- Temperature range: -40°C ~ +105°C
- Contact resistance: 10mΩ Max.
- Insulation resistance: 1000MΩ Min.
- Withstanding voltage: 1500V AC/minute
- *Compliant with RoHS and REACH*
- *Meet the HF/Halogen Free, GWT/Glow wire Test (IEC60335-1) request, need to customize*
- *Contact for details*

Standards



Assembly layout



A7501 SERIES

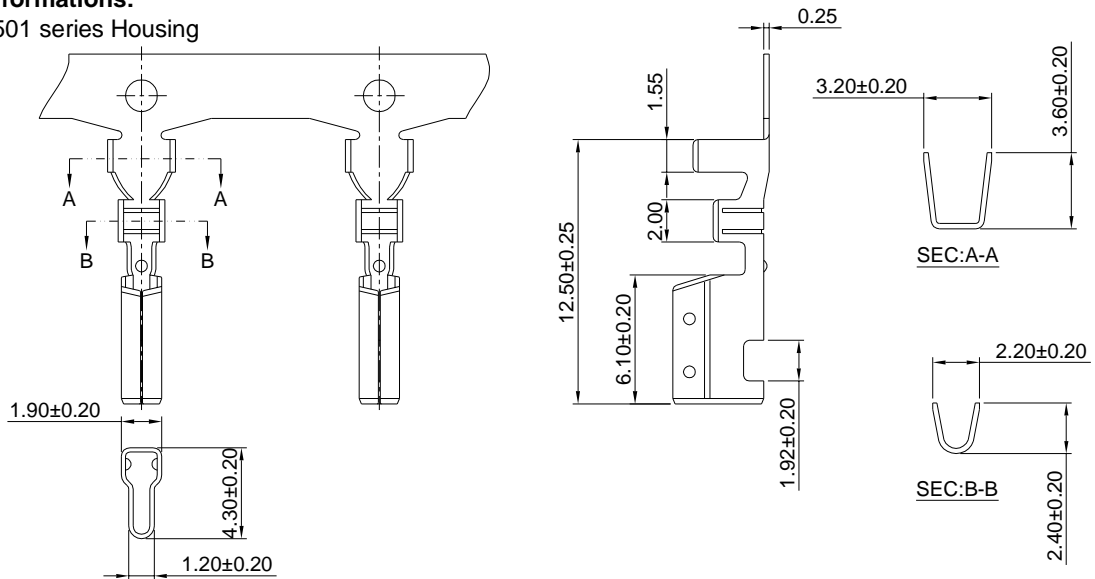
7.50-5.00mm pitch wire to board connector

A7501-T

7.50-5.00mm pitch Crimp Terminal

Reference Informations:

*Used in A7501 series Housing



Ordering information & Specifications:

Unit:mm

Part NO.	Wire Range	Insulation O.D.	Material	Finish	Qty/reel
A7501-TB	AWG#18-#24	3.20mm(max)	Brass	Tin over Nickel	3,500 PCS
A7501-TP	AWG#18-#24	3.20mm(max)	Phosphor Bronze	Tin over Nickel	3,500 PCS
A7501-GB	AWG#18-#24	3.20mm(max)	Brass	Gold over Nickel	3,500 PCS
A7501-GP	AWG#18-#24	3.20mm(max)	Phosphor Bronze	Gold over Nickel	3,500 PCS

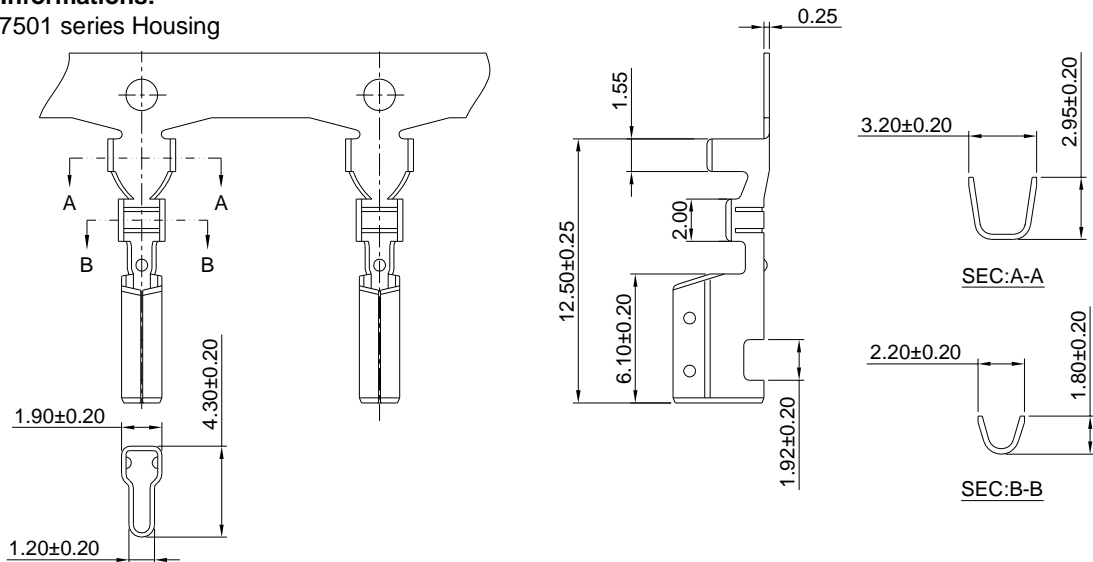
Optional Gold plating available but MOQ requested

A7501-T-L

7.50-5.00mm pitch Crimp Terminal

Reference Informations:

*Used in A7501 series Housing



Ordering information & Specifications:

Unit:mm

Part NO.	Wire Range	Insulation O.D.	Material	Finish	Qty/reel
A7501-TB-L	AWG#22-#28	2.60mm(max)	Brass	Tin over Nickel	5,000 PCS
A7501-TP-L	AWG#22-#28	2.60mm(max)	Phosphor Bronze	Tin over Nickel	5,000 PCS
A7501-GB-L	AWG#22-#28	2.60mm(max)	Brass	Gold over Nickel	5,000 PCS
A7501-GP-L	AWG#22-#28	2.60mm(max)	Phosphor Bronze	Gold over Nickel	5,000 PCS

A7501 SERIES

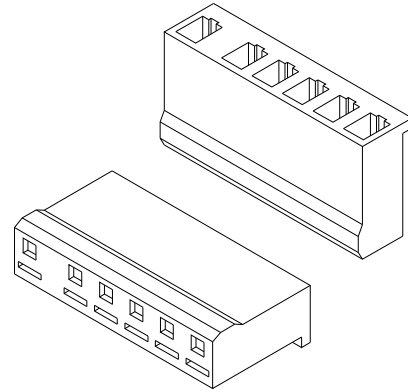
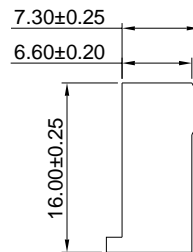
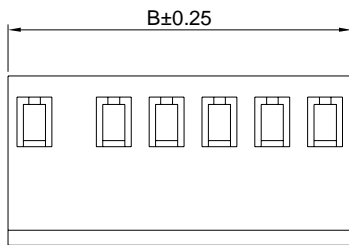
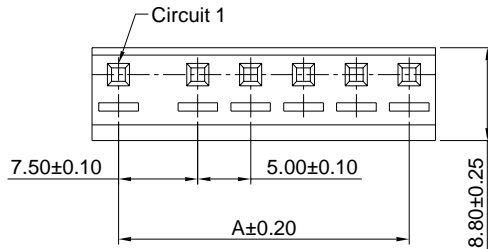
7.50-5.00mm pitch wire to board connector

A7501H

7.50-5.00mm pitch Housing

Reference Informations:

- *Material:Nylon 66,UL94V-2
- *Suitable A7501 series Terminal
- *Mates with A7501 series Wafer
- *Color:Natural



Ordering Information & Dimensions:

PART NO.	Dimensions	
	A	B
A7501H-2P	7.50	12.50
A7501H-3P	12.50	17.50
A7501H-4P	17.50	22.50
A7501H-5P	22.50	27.50
A7501H-6P	27.50	32.50

Unit: mm

A7501 SERIES

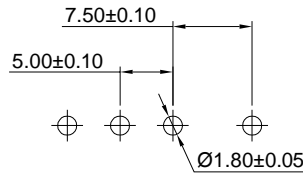
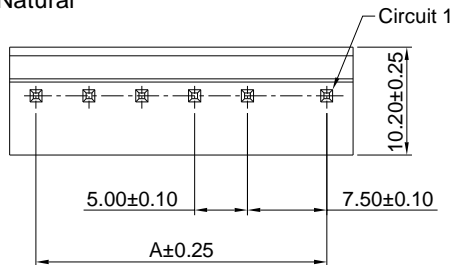
7.50-5.00mm pitch wire to board connector

A7501WV

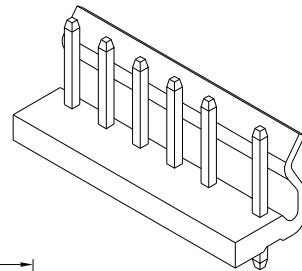
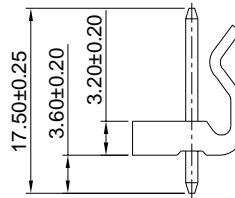
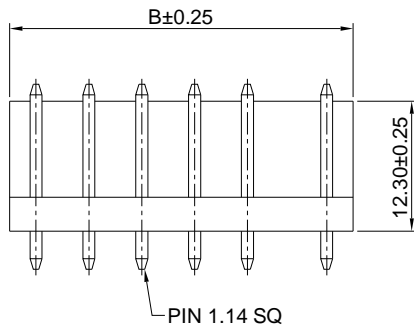
7.50-5.00mm pitch 180° Wafer

Reference Informations:

- *Material: Pin: Brass/Tin over Nickel
Insulator: Nylon 66, UL94V-2
- *Mates with A7501 series Housing
- *Color: Natural



P.C.B LAYOUT



Ordering Information & Dimensions:

PART NO.	Dimensions	
	A	B
A7501WV-2P	7.50	12.50
A7501WV-3P	12.50	17.50
A7501WV-4P	17.50	22.50
A7501WV-5P	22.50	27.50
A7501WV-6P	27.50	32.50

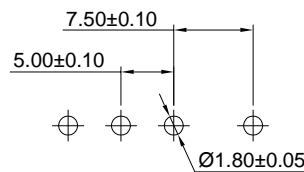
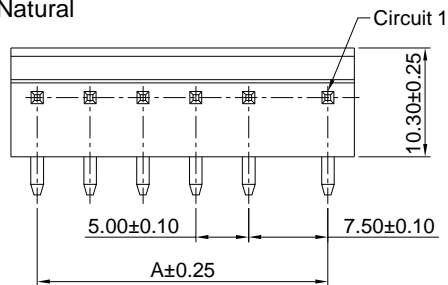
Unit: mm

A7501WR

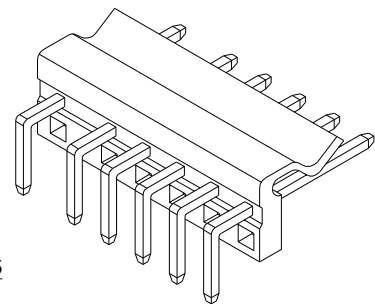
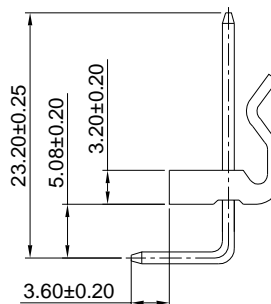
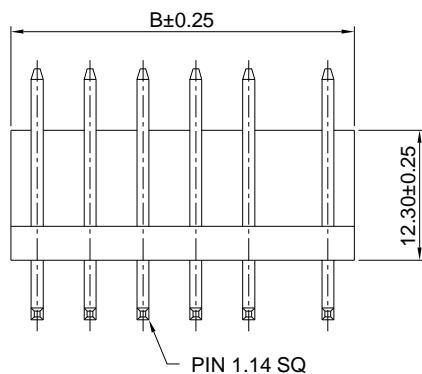
7.50-5.00mm pitch 90° Wafer

Reference Informations:

- *Material: Pin: Brass/Tin over Nickel
Insulator: Nylon 66, UL94V-2
- *Mates with A7501 series Housing
- *Color: Natural



P.C.B LAYOUT



Ordering Information & Dimensions:

PART NO.	Dimensions	
	A	B
A7501WR-2P	7.50	12.50
A7501WR-3P	12.50	17.50
A7501WR-4P	17.50	22.50
A7501WR-5P	22.50	27.50
A7501WR-6P	27.50	32.50

Unit: mm

A7501 SERIES

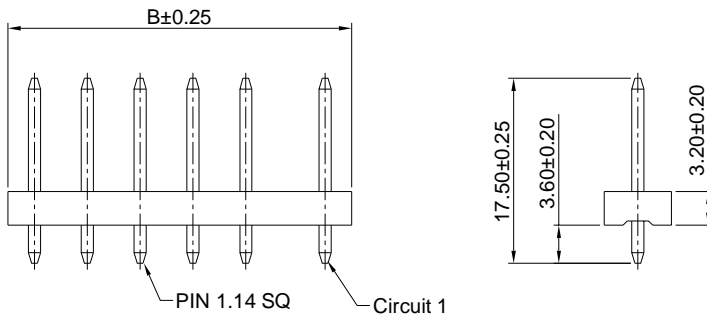
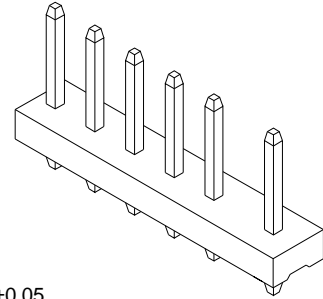
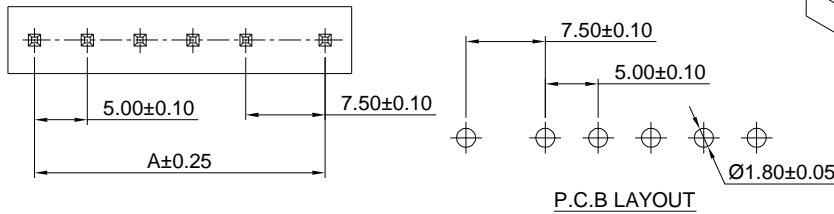
7.50-5.00mm pitch wire to board connector

A7501WVA

7.50-5.00mm pitch 180° Wafer

Reference Informations:

- *Material: Pin: Brass/Tin over Nickel
Insulator: Nylon 66, UL94V-2
- *Mates with A7501 series Housing
- *Color: Natural



Ordering Information & Dimensions:

PART NO.	Dimensions	
	A	B
A7501WVA-2P	7.50	12.50
A7501WVA-3P	12.50	17.50
A7501WVA-4P	17.50	22.50
A7501WVA-5P	22.50	27.50
A7501WVA-6P	27.50	32.50

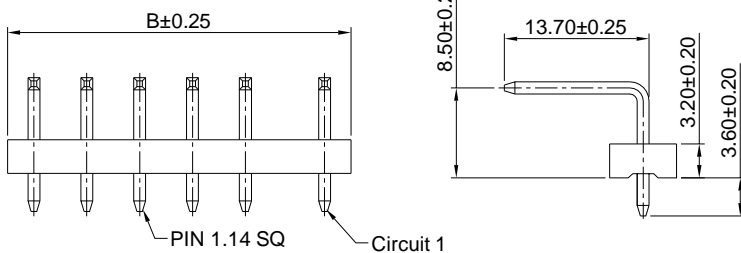
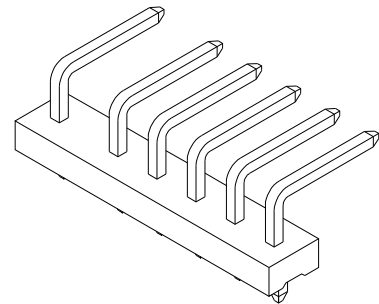
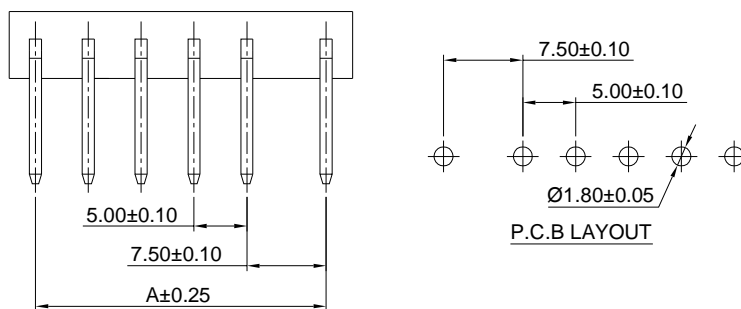
Unit: mm

A7501WRA

7.50-5.00mm pitch 90° Wafer

Reference Informations:

- *Material: Pin: Brass/Tin over Nickel
Insulator: Nylon 66, UL94V-2
- *Mates with A7501 series Housing
- *Color: Natural



Ordering Information & Dimensions:

PART NO.	Dimensions	
	A	B
A7501WRA-2P	7.50	12.50
A7501WRA-3P	12.50	17.50
A7501WRA-4P	17.50	22.50
A7501WRA-5P	22.50	27.50
A7501WRA-6P	27.50	32.50

Unit: mm